



ABINGDON MG

PART OF THE DAVID MANNERS GROUP

MGA | MGB | MGC | MIDGET | MGF | MGTF | SPRITE | TR2-8 | SPITFIRE | HERALD | GT6 | STAG | DOLOMITE | MX-5



TRIUMPH PARTS CATALOGUE



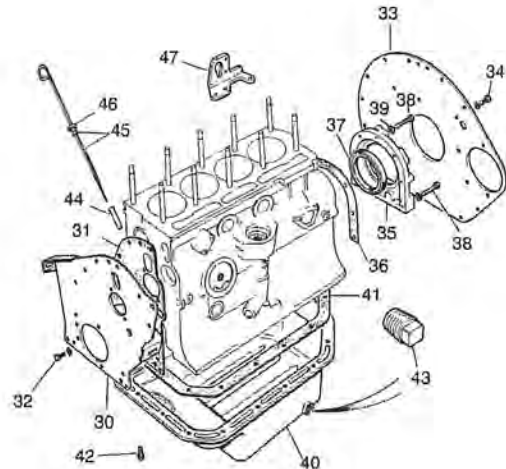
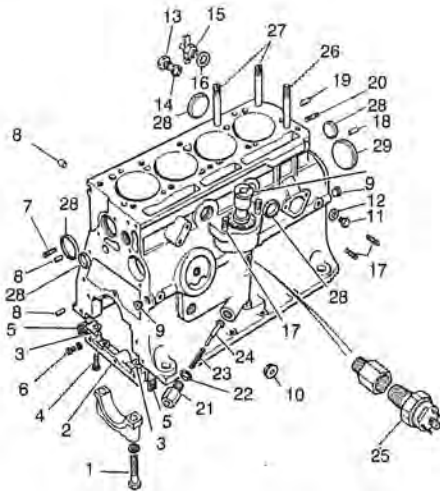
0121 544 4444

E-MAIL: ENQUIRIES@DAVIDMANNERS.CO.UK
OR VISIT OUR OLDBURY TRADE COUNTER - B69 4RJ

WWW.DAVIDMANNERS.CO.UK

PARTS FOR CLASSIC MINI | JAGUAR & DAIMLER | MG & TRIUMPH | MORRIS MINOR | MX-5

4 CYL ENGINE - BLOCK & FITTINGS



RECONDITIONED ENGINES-STATE ENGINE NUMBER

| | | |
|------------|---|---|
| ENG-1200 | Reconditioned 1200 Full Engine-Std | 1 |
| ENG-1200LF | Reconditioned 1200 Full Engine-Unleaded | 1 |
| ENG-1300 | Reconditioned 1300 Full Engine-Std | 1 |
| ENG-1300LF | Reconditioned 1300 Full Engine-Unleaded | 1 |
| ENG-1500 | Reconditioned 1500 Full Engine-Std | 1 |
| ENG-1500 | Reconditioned 1500 Full Engine-Unleaded | 1 |

| | | | |
|----|----------|---|----|
| 1 | HB1024W | Bolt & Washer-Main Bearing Cap | 6 |
| 2 | 151134 | Front Sealing Block | 1 |
| 3 | 150022 | Gasket-Sealing Block | 2 |
| 4 | 100501 | Screw-Sealing Block to Block | 2 |
| 5 | 36234 | Packing (Wood)-Sealing Block | 2 |
| 6 | PT805W | Screw & Washer-Engine Plate to item 2-1300/1500 | 2 |
| 7 | 101962 | Stud-Block to Timing Cover | 1 |
| 8 | DP514 | Dowel-Timing Cover Locating | 2 |
| 9 | 118632 | Plug-Oil Gallery (Front & Rear) | 2 |
| 10 | 116516 | Plug-Oil Gallery (Below Oil Filter) | 1 |
| 11 | 101022 | Plug-Oil Gallery (Block Sides) | 4 |
| 12 | 500469 | Washer-Oil Gallery Plug | 4 |
| 13 | 129077 | Drain Plug-Engine Block | 1 |
| 14 | WF511 | Washer for 129077 | 1 |
| 15 | 146326 | Drain Tap-Engine Block | 1 |
| 16 | WF525 | Washer for 146326 | 1 |
| 17 | 101962 | Stud-Distributor Pedestal Fixing | 2 |
| | 101962 | Stud-Fuel Pump Spit 1/2/3/4/1500 → ⑥/Herald | 2 |
| | TE605141 | Stud-Fuel Pump Spit 1500 ⑥ → | 2 |
| 18 | DP616 | Dowel-Gearbox Locating (Long) | 2 |
| 19 | DP610 | Dowel-Gearbox Locating (Short) | 1 |
| 20 | 112907 | Stud-Gearbox Locating | 3 |
| 21 | 107246 | Nut-Oil Pressure Relief Valve | 1 |
| 22 | 6K433 | Washer(Copper)-Oil Pressure Relief Valve | 1 |
| 23 | 131535 | Spring-Oil Pressure Relief Valve | 1 |
| 24 | 132107 | Valve-Oil Pressure Relief | 1 |
| 25 | GPS117 | Switch-Oil Pressure | 1 |
| 26 | 105121 | Head Stud | 8 |
| 27 | 121217 | Head Stud (Lifting Eye) | 2 |
| | 110748 | Nut-Cylinder Head | 10 |
| | GHF302 | Washer Plain-Cylinder Head | 10 |

28 CORE PLUGS

Either Dish or Cup type Fitted on Spit 1/2 & Her 1200 and are not interchangeable, Cup type Only Fitted on Spit 3/4/1500 & Her 1360.

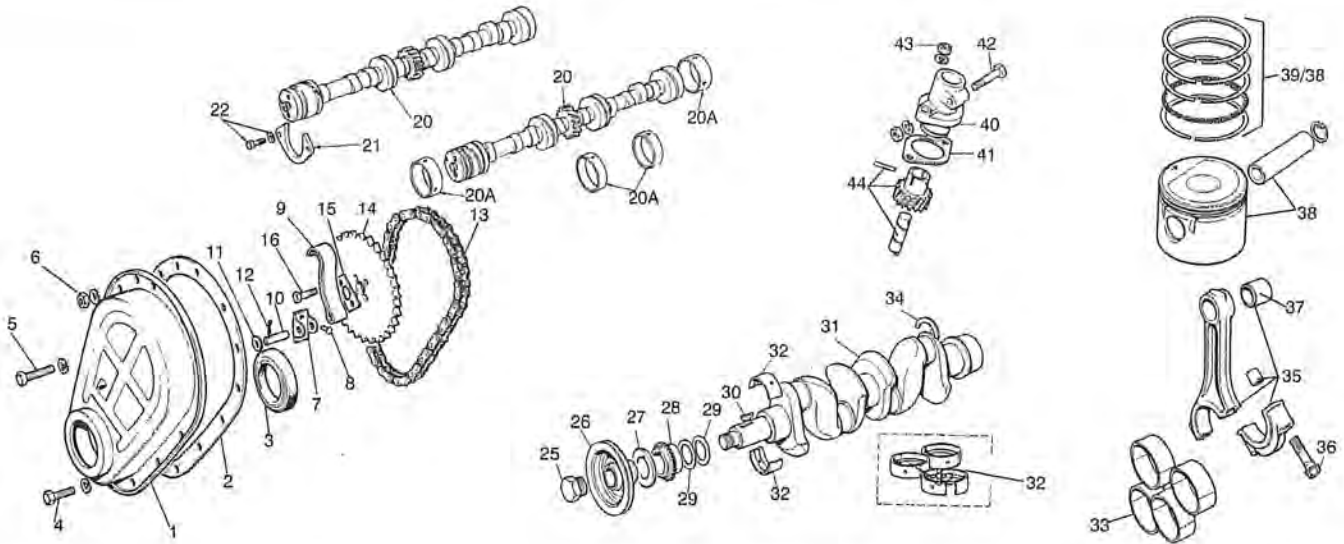
| | | |
|--------|--------------------------------------|---|
| 144686 | Core Plug(Cup)-Distributor Side | 2 |
| 144688 | Core Plug(Cup)-Carb Side | 3 |
| 144688 | Core Plug(Cup)-Large Front of Block | 1 |
| 144687 | Core Plug(Cup)-Small Front of Block | 1 |
| 144686 | Core Plug(Cup)-Rear of Block | 1 |
| 144648 | Core Plug(Cup)-Large Cyl Head | 1 |
| 144686 | Core Plug(Cup)-Small Cyl Head | 1 |
| CPS-4C | Core Plug Set (Cup) *10 Pieces * | 1 |
| 56712 | Core Plug(Dish)-Distributor Side | 2 |
| 46549 | Core Plug(Dish)-Carb Side | 3 |
| 46549 | Core Plug(Dish)-Large Front of Block | 1 |
| 46172 | Core Plug(Dish)-Small Front of Block | 1 |
| 56712 | Core Plug(Dish)-Rear of Block | 1 |
| 27378 | Core Plug(Dish)-Large Cyl Head | 1 |
| 56712 | Core Plug(Dish)-Small Cyl Head | 1 |
| CPS-4D | Core Plug Set (Dish) *10 Pieces * | 1 |

| | | | |
|----|----------------------------------|--|----|
| 29 | 148353 | Core Plug(Cup)-Cam Rear of Block | 1 |
| | 44473 | Core Plug(Dish)-Cam Rear of Block | 1 |
| 30 | FRONT ENGINE PLATES | | |
| | 205456 | Herald 948/1200 → ① | 1 |
| | 209610 | Spit 1/2 → ② & Herald 1200 ① → ② | 1 |
| | 212769 | Spit ② → ③ → ③ & Herald 1200 ② → ③ | 1 |
| | 215372 | Spit 3 ③ → ④/1500 & Herald 1200 ③ → ④/1360 | 1 |
| 31 | GASKET-FRONT ENGINE PLATE | | |
| | 205457 | Spit 1/2 → ② & Herald 948/1200 → ② | 1 |
| | 212766 | Spit 2 ② → ③ → ③ & Her 1200 ② → ③/1360 | 1 |
| | 215350 | Spit ③ → ④/1500 & Her 1200 ③ → | 1 |
| 32 | HU806W | Set Bolt & Washer-Frt Engine Plate | 3 |
| 33 | 201344 | Rear Engine Plate | 1 |
| 34 | HU806W | Set Bolt & Washer-Rear Engine Plate | 7 |
| 35 | REAR CRANK SEAL HOUSING | | |
| | 137374 | Spit 1/2 → ④ & Her 948/1200 ** Scroll Type ** | 1 |
| | 212622 | Spit ④ → ⑤/1500 & Her 1200/1360 ** Oil Seal ** | 1 |
| 36 | 105321 | Gasket-Crank Rear Seal Housing to Block | 1 |
| 37 | 143456 | Oil Seal-Crank Rear | 1 |
| 38 | HU809W | Set Bolt & Washer-Crank Rear Seal Housing | 7 |
| 39 | 500469 | Washer(Copper)-Top Fixing | 1 |
| 40 | SUMP | | |
| | 208649 | Spit 1 → ⑤ & Her 948/1200 → ⑤ | 1 |
| | 212006 | Spit 1 ⑤ → ⑥/3 & Her 1200 ⑤ → ⑥/1360 | 1 |
| | 213863 | Spit 4/1500 | 1 |
| 41 | GEG517 | Gasket-Sump | 1 |
| 42 | MA805 | Bolt & Washer-Sump (HU805W) | 12 |
| | HU806W | Bolt & Washer-Sump | 4 |
| 43 | 114774 | Sump Plug-Square Head | 1 |
| | 155660 | Sump Plug-Magnetic (Alternative) | 1 |
| 44 | 121831 | Sleeve-Dipstick | 1 |
| 45 | 134933 | Dipstick | 1 |
| 46 | 32307 | Felt Seal-Dip Stick | 1 |
| 47 | UKC3653 | Engine Lifting Eye | 1 |

FOOTNOTES

- ① = Upto (c) GA80000 Her 1200 Mk1
- ① → = From (c) GA80001 Her 1200 Mk2
- ② = Upto (e) FC61022 Spit 2 & (e) GA178100E & GD59744E Her 1200/1250
- ② → = From (e) FC61023 Spit 2 & (e) GA178101E & GD59745E Her 1200/1250
- ③ = Upto (e) GD119156 Her 1200/1250 & (e) FD38088E Spit 3
- ③ → = From (e) GD119157 Her 1200/1250 & (e) FD38089E Spit 3
- ④ = Upto (e) FC69120E Spit 2
- ④ → = From (e) FC69121E Spit 2
- ⑤ = Upto (e) FC39408E Spit 1 & (e) GA156227E Her 1200
- ⑤ → = From (e) FC39409E Spit 1 & (e) GA156228E Her 1200
- ⑥ = Upto (e) FM93157 Spit 1500 Fuel Pump Without Spacer Block
- ⑥ → = From (e) FM93157 Spit 1500 With Fuel Pump Spacer Block

4 CYL ENGINE - INTERNAL COMPONENTS



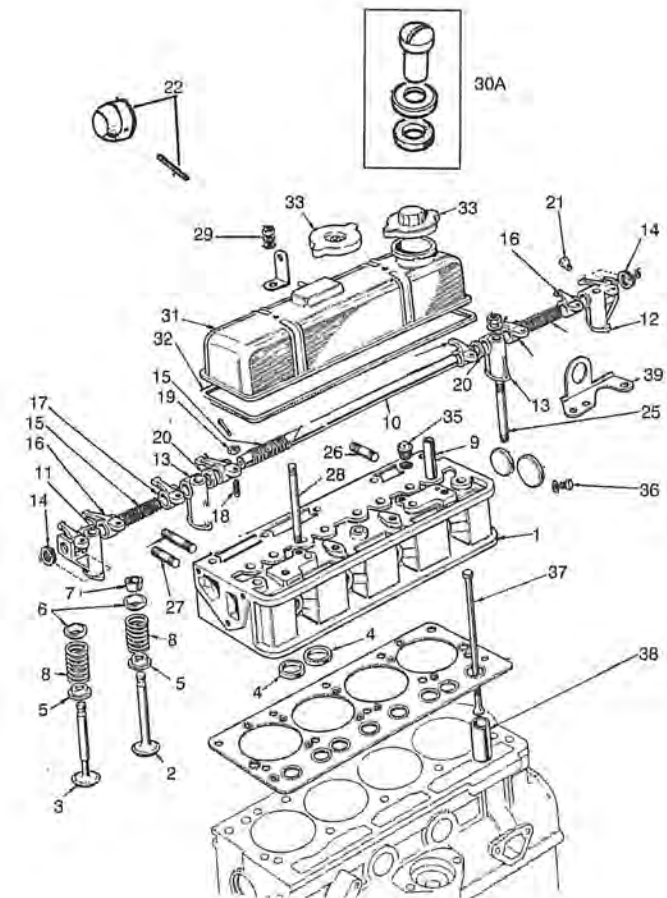
| | | | |
|------------|--|---|-------|
| 1 | TIMING COVER | | |
| | 217790 | Spit 4/1500 & Herald ① → | 1 |
| | 201311 | Spit 1/2/3 & Herald → ① | 1 |
| | 211126 | Gasket Timing Cover | 1 |
| 2 | | | |
| 3 | OIL SEAL-TIMING COVER | | |
| | UKC1110 | Spit 4/1500 & Herald ① → | 1 |
| | 100499 | Spit 1/2/3 & Herald → ① | 1 |
| | PT803W | Screw & Washer-Timing Cover | 5 |
| | HU807W | Bolt & Washer-Timing Cover | 6 |
| | HN2008W | Nut & Washer-Timing Cover | 1 |
| | 43752 | Bracket-Timing Chain Tensioner | 1 |
| | RR610040 | Rivet-Tensioner Bracket to Timing Cover | 2 |
| | 42425 | Tensioner-Timing Chain | 1 |
| | 33214 | Pin-Timing Chain Tensioner | 1 |
| | WP18 | Washer(Plain)-Tensioner Pin | 2 |
| | PC7 | Split Pin-Tensioner Pin | 2 |
| | 105131 | Timing Chain | 1 |
| 13A | TIMING CHAIN KIT (INCLUDES ITEMS 2,3,9,13,15) | | |
| | TK8 | Spit 4/1500 & Her 1360 ① → | 1 |
| | TK8A | Spit 1/2/3 & Her → ① | 1 |
| | 35960 | Timing Gear-Camshaft | 1 |
| | 36411 | Lock Tab-Camshaft Timing Gear | 1 |
| | 100500 | Bolt-Camshaft Timing Gear to Camshaft | 2 |
| 20 | CAMSHAFT RECONDITIONED *EXCHANGE* | | |
| | 202931E | Spit 1 → ② & Her 1200 | 1 |
| | 211433E | Spit 1 ② → & Her 1200 | 1 |
| | 212359E | Her 1200/1360 | 1 |
| | 121264E | Spit 2/3/4 → ③ | 1 |
| | RKC3305E | Spit 4 ③ → /1500 | 1 |
| | | ** SURCHARGE on Camshafts | 1 |
| 20 | CAMSHAFT NEW | | |
| | 212164 | Spit 2/3/4 → ③ | 1 |
| | RKC3305 | Spit 4 ③ → /1500 | 1 |
| 20A | 142647/8 | Cam Bearing Set-Spit 2 ⑤ → /3/4 → ③ | 1 set |
| | 105114 | Locating Plate-Camshaft | 1 |
| | HU807W | Bolt & Washer-Cam Locating Plate | 2 |
| 25 | NUT-CRANKSHAFT PULLEY | | |
| | 155357 | Spit 4/1500 & Herald ① → | 1 |
| | 128058 | Spit 1/2/3 & Herald → ① | 1 |
| 26 | PULLEY-CRANKSHAFT | | |
| | 217789 | Spit 4/1500 & Herald ① → | 1 |
| | 202465 | Spit 1/2/3 & Herald → ① | 1 |
| 27 | OIL THROWER | | |
| | 119390 | Spit 4/1500 & Herald ① → | 1 |
| | 100447 | Spit 1/2/3 & Herald → ① | 1 |
| 28 | TIMING GEAR-CRANKSHAFT | | |
| | 119389 | Spit 4/1500 & Herald ① → | 1 |
| | 100431 | Spit 1/2/3 & Herald → ① | 1 |
| 29 | SHIMS-TIMING GEAR | | |
| | 145275 | (0.004")-Spit 4/1500 & Herald ① → | A/R |
| | 145276 | (0.006")-Spit 4/1500 & Herald ① → | A/R |
| | 27110 | (0.004")-Spit 1/2/3 & Herald → ① | A/R |
| | 27138 | (0.006")-Spit 1/2/3 & Herald → ① | A/R |
| 30 | 105115 | Key-Crankshaft | 1 |
| 31 | CRANKSHAFT RECONDITIONED *EXCHANGE* | | |
| | | *INCLUDES BEARINGS & THRUSTS | |
| | 305073E | Spit 1/2 → ⑤ & Herald 1200 → ⑥ | 1 |
| | 307422E | Spit 2 ⑤ → /3 & Herald 1200 ⑥ → /1360 → | 1 |

| | | | | |
|-----------|---|---|--|-----|
| | 308737E | Spit 4 | 1 | |
| | RKC918E | Spit 1500 | 1 | |
| | | **SURCHARGE on Crankshafts | 1 | |
| 32 | MAIN BEARING SET (STATE SIZE) | | | |
| | | ** Sizes = Std, -.010, -.020, -.030, -.040 ** | | |
| | RTC1753 | Spit 4/1500 & Herald ① → | 1 | |
| | RTC1759 | Spit 1/2/3 & Herald → ① | 1 | |
| 33 | BIG END BEARING SET (STATE SIZE) | | | |
| | | ** Sizes = Std, -.010, -.020, -.030, -.040 ** | | |
| | RTC1754 | Spit 4/1500 & Herald ① → | 1 | |
| | RTC1749 | Spit 1/2/3 & Herald → ① | 1 | |
| 34 | THRUST WASHER SET (STATE SIZE) | | | |
| | 144195 | Spit 4/1500 & Herald ① → | 1 pr | |
| | | ** Sizes = Std, +.005, +.015, +.030 ** | | |
| | 144781 | Spit 1/2/3 & Herald → ① | 1 pr | |
| | | ** Sizes = Std, +.005, +.010 ** | | |
| 35 | CON ROD RECONDITIONED | | | |
| | 138549R | Spit 1/2 & Her 1200 | 4 | |
| | 146453R | Spit 3 & Her 1360 → ① | 4 | |
| | 146454R | Spit 4/1500 & Herald ① → | 4 | |
| 36 | BOLT-CON ROD | | | |
| | UKC2598 | Spit 1 ⑦ → /2/3/4/1500 & Her 1200 ⑧ → | 8 | |
| | 104641 | Spit 1 → ⑦ & Her 1200 → ⑧ | 8 | |
| | 104642 | Lock Tab for 104641 | 4 | |
| | 119813 | Bush-Con Rod Little End | 4 | |
| 38 | PISTON & RING ASSEMBLY - SET OF 4 (STATE SIZE) | | | |
| | AE20139 | Spit 1500 | 1 | |
| | | ** Sizes = Std, +.020, +.030, +.040, +.060 ** | | |
| | AE20140 | Spit 3/4 & Her 1360 | 1 | |
| | | ** Sizes = Std, +.020, +.030, +.040, +.060 ** | | |
| | AE18690 | Spit 1/2 & Her 1200 | 1 | |
| | | ** Sizes = Std, +.020, +.030, +.040 ** | | |
| 39 | PISTON RING SET - CAR SET (STATE SIZE) | | | |
| | AER28656 | Spit 3/4/1500 & Herald 1360 | 1 | |
| | | ** Sizes = Std, +.020, +.030, +.040, +.060 ** | | |
| | AER15816 | Spit 1/2 & Herald 1200 | 1 | |
| | | ** Sizes = Std, +.020, +.030, +.040 ** | | |
| | 40 | 121530 | Pedestal-Distributor Mounting | 1 |
| | 41 | 104939 | Gasket (0.006")-Pedestal to Block | A/R |
| | | 125252 | Gasket (0.020")-Pedestal to Block | A/R |
| | 42 | HB816C | Bolt/Nut & Washer-Distributor Clamp | 1 |
| | 43 | HN2008W | Nut & Washer-Pedestal to Block | 2 |
| | 44 | 104860/1 | Distributor/Oil Pump Drive Gear Assembly | 1 |

FOOTNOTES
 → ① = All Herald Upto & including (e) GE Her 1360
 → ① = From (e) GK1 Her 1360
 → ② = Upto (e) FC38627E Spit 1
 → ② = From (e) FC38628E Spit 1
 → ③ = Upto (e) FH25000 Spit 4 With Cam Bearings
 → ③ = From (e) FH25001 Spit 4 No Cam Bearings
 → ④ = Upto (e) FM93157 Spit 1500
 → ④ = From (e) FM93158 Spit 1500
 → ⑤ = Upto (e) FC69120E Spit 2 Scroll Type Crank
 → ⑤ = From (e) FC69121E Spit 2 Oil Seal Type Crank
 → ⑥ = Upto (e) GA206640E & GDB0058E Her 1200 Scroll Type Crank
 → ⑥ = From (e) GA206641E & GDB0059E Her 1200 Oil Seal Type Crank

4 CYL ENGINE - CYLINDER HEAD COMPONENTS

| | | | | |
|--------------|---|--|------------------------------------|---|
| 1 | CYLINDER HEAD (RECONDITIONED)-STATE MODEL | | | |
| | HD4S | Standard | 1 | |
| | HD4U | Unleaded | 1 | |
| | HD4MS | Standard Road Modified (Gas Flowed) | 1 | |
| | HD4MU | Unleaded Road Modified (Gas Flowed) | 1 | |
| | | SURCHARGE on Cylinder Heads | 1 | |
| 2 | EXHAUST VALVE | | | |
| | 131179 | Spit 1/2 | 4 | |
| | 144965 | Spit 3/4/1500 | 4 | |
| | 126858 | Herald | 4 | |
| 3 | INLET VALVE | | | |
| | 134464 | Spit 1/2 | 4 | |
| | 126893 | Spit 3/4 → ① | 4 | |
| | 145328 | Spit 4 ① → | 4 | |
| | UKC2460 | Spit 1500 | 4 | |
| 4 | EX-SEAT | Seat-Exhaust Valve (State Model) | 4 | |
| | IN-SEAT | Seat-Inlet Valve (State Model) | 4 | |
| 5 | COLLAR (BOTTOM)-VALVE SPRING | | | |
| | 10511B | Spit 1/2/3/4 → ① & Herald | SINGLE 8 | |
| | 157510 | Spit 4 ① → /1500 | DOUBLE 8 | |
| 6 | COLLAR (TOP)-VALVE SPRING | | | |
| | 111870 | Spitfire | 8 | |
| | 105119 | Herald | 8 | |
| 7 | 106663 | Valve Split Collets-Spitfire | 8 pr | |
| 8 | VALVE SPRINGS (CAR SET) | | | |
| | 136487K4 | Spit 1/2/3/4 → ① | SINGLE 1set | |
| | 157229K4 | Spit 4 ① → /1500 | DOUBLE 1set | |
| | 121251K4 | Herald | SINGLE 1set | |
| 9 | VALVE GUIDES-INLET & EXHAUST | | | |
| | 58923 | Spit 3/4/1500 & Her 1360 | 8 | |
| | 111869 | Spit 1/2 & Her 1200 | 8 | |
| 10 | ROCKER SHAFT | | | |
| | 144962 | Spit 3/4/1500 & Her 1360 | 1 | |
| | 104829 | Spit 1/2 & Her 1200 | 1 | |
| 10A | ROCKER SHAFT ASSEMBLY-RECONDITIONED *EXCHANGE* | | | |
| | | ** includes items 10 → 21 ** | | |
| | 144962E | Spit 3/4/1500 & Her 1360 | 1 | |
| | 104829E | Spit 1/2 & Her 1200 | 1 | |
| | | **SURCHARGE On Recon Rocker Shaft Assembly | 1 | |
| 11-13 | PEDESTAL-ROCKER SHAFT | | | |
| | 11 | 144973 | Front-Spit 3/4/1500 & Her 1360 | 1 |
| | 12 | 144975 | Rear-Spit 3/4/1500 | 1 |
| | 13 | 144974 | Centre-Spit 3/4/1500 & Her 1360 | 2 |
| | 12 | 104831 | Rear-Spit 1/2 & Her 1200 | 1 |
| | 11/13 | 104832 | Front & Centre-Spit 1/2 & Her 1200 | 3 |
| | 14 | 105322 | Coil Spring Washer | 2 |
| | 15 | 105120 | Spring-Rocker Shaft | 3 |
| | 16 | 109023 | Rocker Arm (LH Crank) | 4 |
| | 17 | 109024 | Rocker Arm (RH Crank) | 4 |
| 18 | STUD-ROCKER ADJUSTING | | | |
| | 57109 | Spit 1/2/3/4 → ① & Herald | 8 | |
| | 109495 | Spit 4 ① → /1500 | 8 | |
| | 57110 | Locknut-Rocker Adjusting Stud | 8 | |
| 19 | 146914 | Distance Piece 1300/1500 Only | 2 | |
| | 21 | 104859 | Locating Screw | 1 |
| | 22 | 104838 | End Collar-Spit 1/2 & Her 1200 | 2 |
| | | 500975 | Pin End Collar-Spit 1/2 & Her 1200 | 2 |
| 25 | 132495 | Stud-Rocker Pedestal | 4 | |
| | 110748 | Nut(Plain)-Rocker Pedestal | 4 | |
| | WP184 | Washer (Plain)-3/8" | 4 | |
| | 26 | 105125 | Stud-Cyl Head to Manifolds (Inner) | 6 |
| | 27 | 105124 | Stud-Cyl Head to Manifolds (Outer) | 2 |
| | | ROCKER COVER FIXINGS-SPIT 1/2/3/4/1500 → ④ & HERALD | | |
| | 28 | 105123 | Stud-Rocker Cover | 2 |
| | 29 | GHF272 | Nut(Nyloc)-5/16" | 2 |
| | | WP8 | Washer(Plain)-5/16" | 2 |
| | | WF508 | Fibre Washer-5/16" | 2 |
| | | ROCKER COVER FIXINGS-SPIT 1500 ④ → | | |
| | 30 | ULC1578 | Stud-Rocker Cover | 2 |
| 30A | 147737 | Sleeve Nut | 2 | |
| | 147738 | Cup Washer | 2 | |
| | 148090 | Seal | 2 | |
| 31 | ROCKER COVER (PRESSED STEEL) | | | |
| | 134654 | Spit 1 | 1 | |
| | 210862 | Spit 2/3 & Her 1360 | 1 | |
| | 214814 | Spit 4/1500 → ④ | 1 | |
| | TKC3702 | Spit 1500 ④ → | 1 | |
| | 115957 | Her 1200 | 1 | |
| 31/2/3 | SD278 | Alloy Rocker Cover & Cap-Spit 3/4/1500 & Her 1360 | 1 | |
| 32 | GEG414 | Gasket-Rocker Cover | 1 | |

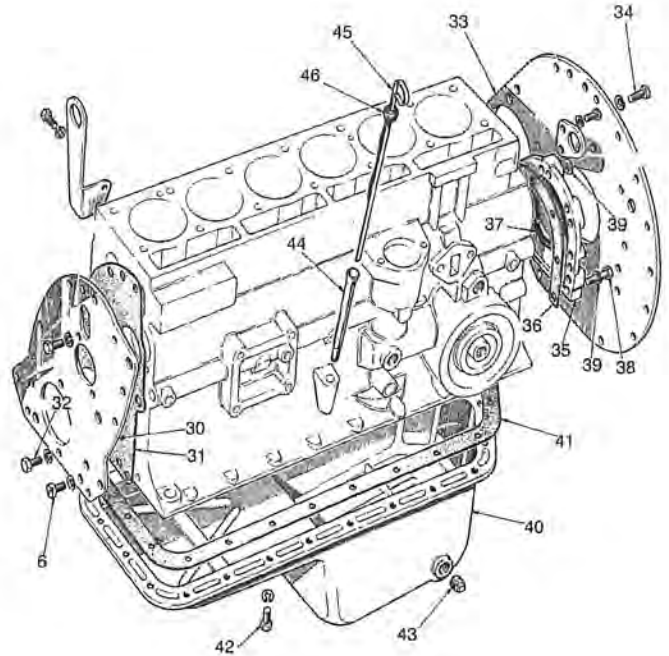
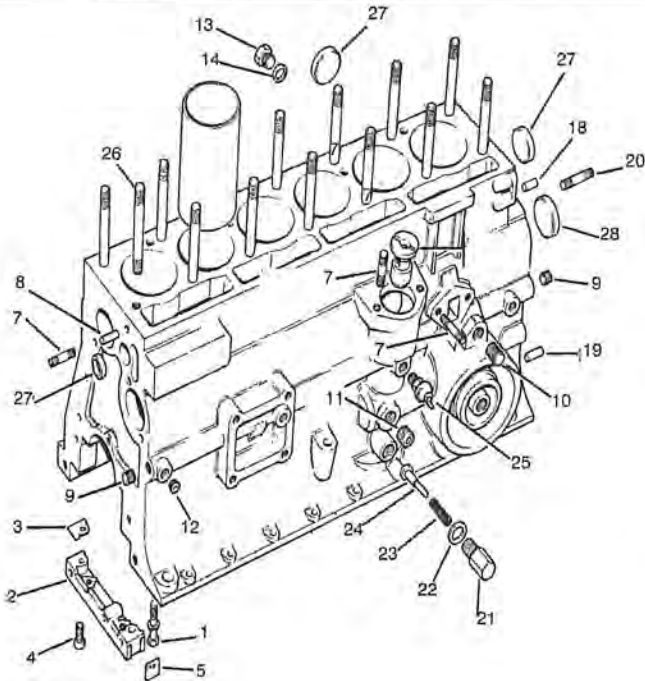


| | | | |
|-----------|---------------------------|-------------------------------------|---|
| 33 | OIL FILLER CAP | | |
| | GZC1400 | Spit 3/4/1500 & Her 1360 | 1 |
| | 113569 | Spit 1/2 & Her 1200 | 1 |
| 35 | 114774 | Blanking Plug-Spit 4 ② → | 1 |
| | 057602 | Adaptor Heater Hose-Spit 3/4 → ② | 1 |
| 36 | 101022 | Plug-Cylinder Head | 1 |
| | 500469 | Washer-Cylinder Head Plug | 1 |
| 37 | PUSH ROD | | |
| | 157508 | Spit 4 ① → /1500 | 8 |
| | 111874 | Spit 1/2/3/4 → ① /1500 & Herald | 8 |
| 38 | CAM FOLLOWER | | |
| | 143552 | Spit 1 ③ → /2/3/4/1500 & Herald ③ → | 8 |
| | 144343 | Spit 1 → ③ & Her 948/1200 → ③ | 8 |
| 39 | ENGINE LIFTING EYE | | |
| | 121216 | Spit 1/2 & Her 1200 | 1 |
| | 142649 | Spit 3/4/1500 & Her 1360 | 1 |

FOOTNOTES

- ① = Upto (e) FH25000 Spit 4 Flat Block
- ① → = From (e) FH25001 Spit 4 Recessed Block
- ② = Upto (e) FH60000 Spit 4
- ② → = From (e) FH60001 Spit 4
- ③ = Upto (e) FC61022E Spit 1 & GA178100E & GD59744E Her 1200 Small Diameter
- ③ → = From (e) FC61023E Spit 1 & GA178101E & GD59745E Her 1200 Large Diameter
- ④ = Upto (e) FM80000 Spit 1500
- ④ → = From (e) FM80001 Spit 1500

6 CYL ENGINE - BLOCK & FITTINGS



RECONDITIONED ENGINES - STATE ENGINE NUMBER

| | | |
|------------|---|---|
| ENG-1600 | Reconditioned 1600 Full Engine-Std | 1 |
| ENG-1600LF | Reconditioned 1600 Full Engine-Unleaded | 1 |
| ENG-2000 | Reconditioned 2000 Full Engine-Std | 1 |
| ENG-2000LF | Reconditioned 2000 Full Engine-Unleaded | 1 |

**SURCHARGE on 6 Cylinder Full Engine

| | | | |
|---|---------|---------------------------------------|--------------|
| 1 | HB1024W | Bolt & Washer-Main Bearing Cap | 8 |
| 2 | 151134 | Front Sealing Block-GT6 2/3 & Vit 2 | 1 |
| | 104863 | Front Sealing Block-Vit 6/1 & GT6 1 | 1 use 151134 |
| 3 | 150022 | Gasket-Sealing Block | 2 |
| 4 | 100501 | Screw-Sealing Block to Block | 2 |
| 5 | 36234 | Packing (Wood)-Sealing Block | 2 |
| 6 | PT805W | Screw & Washer-Engine Plate to item 2 | 2 |

STUDS-VARIOUS

| | | | |
|----|--------|---|-----|
| 7 | 100433 | Fuel Pump-Vit 6/1/2 & GT6 1/2 | 2 |
| | 101962 | Fuel Pump-GT6 3 | 2 |
| | 101962 | Distributor Pedestal | 2 |
| | 101962 | Timing Cover to Block-GT6 3 | 2 |
| | 100433 | Timing Cover to Block-Vit 1/2 & GT6 1/2 | 2 |
| | 100433 | Breather Plate or Pipe-Vit 6/1 & GT6 1 | 2 |
| | 124954 | Gasket-Breather Plate or Pipe Vit 6/1 & GT6 1 | 1 |
| 8 | DP514 | Dowel-Timing Cover Locating | 2 |
| 9 | PS1103 | Plug-Oil Gallery (Front) | 1 |
| | 118632 | Plug-Oil Gallery (Rear) | 1 |
| 10 | PU1404 | Plug-Oil Gallery (Above Oil Filter) | 1 |
| 11 | 116511 | Plug-Oil Gallery (Above OPR Valve) | 1 |
| 12 | 118686 | Plug-Oil Gallery (1/8") | 6 |
| 13 | 129077 | Drain Plug-Block (Water)-GT6 3 | 1 |
| | 61478 | Drain Tap-Block (Water)-Vit 6/1/2 & GT6 1/2 | 1 |
| 14 | WF511 | Washer-Drain Tap/Plug | A/R |
| 18 | DP616 | Dowel-G/Box Locating | 1 |
| 19 | DP612 | Dowel-Engine Backplate Locating | 1 |
| 20 | 139836 | Stud-Top G/Box Bellhousing | 3 |
| 21 | 107246 | Nut-Oil Pressure Relief Valve | 1 |
| 22 | 6K433 | Washer(Copper)-Oil Pressure Relief Valve | 1 |
| 23 | 131535 | Spring-Oil Pressure Relief Valve | 1 |
| 24 | 132107 | Valve-Oil Pressure Relief | 1 |
| 25 | 121398 | Switch-Oil Pressure(GPS117) | 1 |

HEAD STUDS, NUTS & WASHERS-GT6 1 & VIT 6/1

| | | | |
|----|--------|------------------------------|----|
| 26 | 133804 | Head Stud Short | 7 |
| | 133805 | Head Stud Long-Vit6 | 7 |
| | 119758 | Head Stud Long-GT6 1 & Vit 1 | 7 |
| | 110748 | Nut Cylinder Head | 14 |
| | WP9 | Washer Plain Cylinder Head | 14 |

HEAD STUDS, NUTS & WASHERS-GT6 2/3 & VIT 2

| | | | |
|----|--------|----------------------------|----|
| 26 | 146200 | Head Stud | 14 |
| | 103810 | Nut Cylinder Head | 14 |
| | 508289 | Washer Plain Cylinder Head | 14 |

CORE PLUGS 6 CYL

| | | | |
|----|---|-------------------------------------|---|
| 27 | Either Dish or Cup type Fitted on Vit 6/1 & GT6 1 and are not interchangeable, Cup type Only Fitted on Vit 2 & GT6 2/3. | | |
| | 144686 | Core Plug(Cup)-Distributor Side | 2 |
| | 144688 | Core Plug(Cup)-Carb Side | 4 |
| | 144688 | Core Plug(Cup)-Large Front of Block | 1 |
| | 144687 | Core Plug(Cup)-Small Front of Block | 1 |
| | 144686 | Core Plug(Cup)-Rear of Block | 1 |
| | 144648 | Core Plug(Cup)-Large Cyl Head | 1 |
| | 144686 | Core Plug(Cup)-Small Cyl Head | 1 |
| | CPS-6C | Core Plug Set (Cup) * 11 Pieces * | 1 |

| | | | |
|--|--------|--------------------------------------|---|
| | 56712 | Core Plug(Dish)-Distributor Side | 2 |
| | 46549 | Core Plug(Dish)-Carb Side | 4 |
| | 46549 | Core Plug(Dish)-Large Front of Block | 1 |
| | 46172 | Core Plug(Dish)-Small Front of Block | 1 |
| | 56712 | Core Plug(Dish)-Rear of Block | 1 |
| | 27378 | Core Plug(Dish)-Large Cyl Head | 1 |
| | 56712 | Core Plug(Dish)-Small Cyl Head | 1 |
| | CPS-6D | Core Plug Set (Dish) * 11 Pieces * | 1 |

| | | | |
|----|--------|-------------------------------|---|
| 28 | 44473 | Core Plug(Dish)-Camshaft Rear | 1 |
| | 144353 | Core Plug(Cup)-Camshaft Rear | 1 |

FRONT ENGINE PLATES

| | | | |
|----|--------|-----------------------|---|
| 30 | 205456 | GT9 1 → ① & Vit 6/1 → | 1 |
| | 213777 | GT6 1 ① → & Vit 1 ① → | 1 |
| | 215349 | GT6 2/3 & Vit 2 | 1 |

GASKET-FRONT ENGINE PLATE

| | | | |
|----|--------|-----------------------|---|
| 31 | 205457 | Vit 6 | 1 |
| | 212776 | GT6 1 → ① & Vit 1 → ① | 1 |
| | 213658 | GT6 ① → & Vit 1 ① → | 1 |
| | 215350 | GT6 2/3 & Vit 2 | 1 |

| | | | |
|----|--------|--------------------------------------|---|
| 32 | HU806W | Set Bolt & Washer-Front Engine Plate | 3 |
|----|--------|--------------------------------------|---|

REAR ENGINE PLATE

| | | | |
|----|--------|---------------------------|---|
| 33 | 208833 | VIT 6 → ② | 1 |
| | 211514 | GT6 1/2/3 & Vit 6 ② → 1/2 | 1 |

SET BOLT-REAR ENGINE PLATE

| | | | |
|----|--------|---------------------------|---|
| 34 | HU806W | Vit 6 → HB24430 | 7 |
| | HU807W | GT6 1/2/3 & Vit 6 ② → 1/2 | 7 |

REAR CRANK SEAL HOUSING

| | | | |
|----|--------|--|---|
| 35 | 104822 | VIT 6 → ③ **Scroll Type** (137374) | 1 |
| | 212262 | GT6 1/2/3 & Vit 6 ③ → 1/2 | 1 |
| 36 | 105321 | Gasket-Rear Crank Seal to Block | 1 |
| 37 | 143456 | Oil Seal Crank-GT6 1/2/3 & Vit 6 ③ → 1/2 | 1 |
| 38 | HB809W | Bolt & Washer-Crank Oil Seal Housing | 7 |
| 39 | 500469 | Washer (Copper)-Top Fixing Bolt | 1 |

SUMP

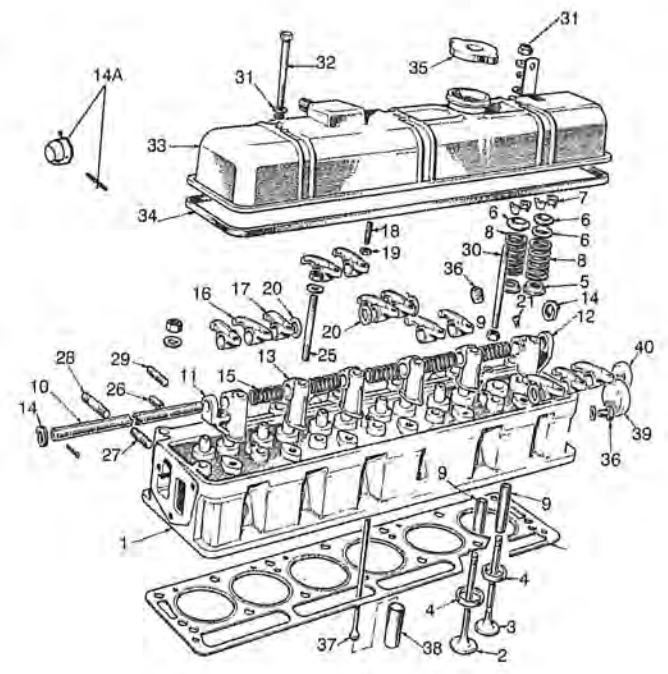
| | | | |
|----|--------|-------------------------------|----|
| | 304932 | Vit 6 → ④ | 1 |
| | 307039 | GT6 1 & Vit 6 ④ → 1 | 1 |
| | 308571 | GT6 2/3 & Vit 2 | 1 |
| 41 | 211125 | Gasket-Sump | 1 |
| 42 | HU805W | Set Bolt & Washer-Sump Fixing | 23 |
| 43 | 114774 | Sump Plug | 1 |
| 44 | 127652 | Tube-Dipstick | 1 |
| 45 | 127653 | Dipstick | 1 |
| 46 | 32307 | Washer (Felt)-Dipstick | 1 |

FOOTNOTES

- ① = Upto (e) KC5000 GT6 1 & HC4500 Vit 1
- ① → = From (e) KC5001 GT6 1 & HC4501 Vit 1
- ② = Upto (e) HB24430 Vit 6
- ② → = From (e) HB24431 Vit 6
- ③ = Upto (e) HB32487 Vit 6 Scroll Type Crank Seal
- ③ → = From (e) HB32488 Vit 6 Oil Seal Type Seal
- ④ = Upto (e) HB23006 Vit 6
- ④ → = From (e) HB23007 Vit 6

6 CYL ENGINE - CYLINDER HEAD COMPONENTS

| | | | |
|-------|---|-----------|--------------|
| 1 | CYLINDER HEAD-RECONDITIONED * EXCHANGE * STATE MODEL | | |
| | HD-6 Standard | 1 | |
| | HD-6LF Leadfree | 1 | |
| | HD-6MOD1 Road Modified Standard | 1 | |
| | HD-6MOD2 Road Modified Unleaded | 1 | |
| | **SURCHARGE on Cylinder Heads** | 1 | |
| 2 | EXHAUST VALVE | | |
| | 122258 Vit 6 → ① | 6 | |
| | 137841 GT6 1 & Vit 6 ① →/1 | 6 | |
| | 149658 Vit 2 | 6 | |
| | 146084 GT6 2/3 → ② | 6 | 6 use 149658 |
| | 159872 GT6 3 ② → | 6 | |
| 3 | INLET VALVE | | |
| | 122257 GT6 1 & Vit 6/1 | 6 | |
| | 146128 GT6 2/3 & Vit 2 | 6 | |
| 4 | VALVE SEAT INSERT | | |
| | 130813 Exhaust-GT6 1 & Vit 6/1 | 6 | |
| | 130814 Inlet-GT6 1 & Vit 6/1 | 6 | |
| | 146496 Inlet-GT6 2/3 → ② & Vit 2 | 6 | |
| | 146497 Exhaust-GT6 2/3 → ② & Vit 2 | 6 | |
| | 159903 Inlet-GT6 3 ② → | 6 | |
| | 159904 Exhaust-GT3 ② → | 6 | |
| 5 | VALVE SPRING COLLAR-LOWER | | |
| | 111871 GT6 1 & Vit 6/1 | DOUBLE 12 | |
| | 149717 GT6 2 → ③ & Vit 2 | DOUBLE 12 | |
| | 105118 GT6 2 ③ →/3 | SINGLE 12 | |
| 6 | VALVE SPRING COLLAR-UPPER | | |
| | 111870 Inlet | 6 | |
| | 128334 Exhaust Inner | 6 | |
| | 128335 Exhaust Outer | 6 | |
| 7 | 106663 Split Collets | 12 prs | |
| 8 | VALVE SPRINGS (CAR SET) | | |
| | 121251K6 GT6 1 & Vit 6/1 | DOUBLE 12 | |
| | 149633K6 GT6 2 → ③ & Vit 2 | DOUBLE 12 | |
| | 136487K6 GT6 2 ③ →/3 → ④ | SINGLE 12 | |
| | 157229K6 GT6 3 ④ → | SINGLE 12 | |
| 9 | VALVE GUIDES | | |
| | 119622 Inlet & Exhaust-GT6 1 & Vit 6/1 | 12 | |
| | 58923 Inlet-GT6 2/3 & Vit 2 | 6 | |
| | 111869 Exhaust-GT6 2/3 & Vit 2 | 6 | |
| 10 | ROCKER SHAFT | | |
| | 214562 GT6 1 & Vit 6/1 (214562) | 1 | |
| | 214559 GT6 2/3 & Vit 2 | 1 | |
| 10A | ROCKER SHAFT ASSEMBLY-RECONDITIONED * EXCHANGE * | | |
| | ** Includes items all items 10 → 21 ** | | |
| | 214562E GT6 1 & Vit 6/1 (214562) | 1 | |
| | 214559E GT6 2/3 & Vit 2 | 1 | |
| | **Surcharge on Rocker Shaft Assembly | 1 | |
| | PEDESTAL-ROCKER SHAFT | | |
| 11 | 145867 Front-GT6 2/3 & Vit 2 | 1 | |
| 12 | 145869 Rear-GT6 2/3 & Vit 2 | 1 | |
| 13 | 145868 Middle-GT6 2/3 & Vit 2 | 1 | |
| 12 | 128425 Rear-GT6 1 & Vit 6/1 | 4 | |
| 11/13 | 128424 Front & Centre-GT6 1 & Vit 6/1 | 1 | |
| 14 | 105322 Spring Washer | 5 | |
| | PC10 Split Pin-GT6 2/3 & Vit 2 | 2 | |
| 14A | 104838 End Collar-GT6 1 & Vit 6/1 | 2 | |
| | 500975 Pin-End Collar-GT6 1 & Vit 6/1 | 2 | |
| 15 | 119313 Intermediate Spring | 5 | |
| 16 | 109023 Rocker Arm (LH Crank) | 6 | |
| 17 | 109024 Rocker Arm (RH Crank) | 6 | |
| 18 | ADJUSTER-ROCKER ARM | | |
| | 57109 Vit 6 | 12 | |
| | 109495 GT6 1/2/3 & Vit 1/2 | 12 | |
| 19 | 57110 Locknut-Rocker Adjuster | 12 | |
| 20 | 119759 Washer-GT6 1 & Vit 6/1 | 12 | |
| | WP8013 Spacing Washer-GT6 2/3 & Vit 2 | 4 | |
| 21 | 104859 Locating Screw-Rocker Shaft | 1 | |
| 25 | 132495 Stud-Rocker Pedestal | 6 | |
| 26 | 127398 Dowel Inlet Manifold-GT6 1 & Vit 6/1 | 1 | |
| | DS3112 Dowel Inlet Manifold-GT6 2/3 & Vit 2 | 2 | |
| 27 | 105124 Stud Exhaust Manifold-GT6 1 & Vit 6/1 | 2 | |
| | 105124 Stud-Exhaust Manifold-GT6 2/3 & Vit 2 | 4 | |
| 28 | 105125 Stud-Inlet Manifold-GT6 2/3 & Vit 2 | 6 | |
| 29 | 100419 Stud Inlet Manifold-Vit 6 | 2 | |
| | 101962 Stud Inlet Manifold-GT6 1 & Vit 1 | 2 | |
| | 101962 Stud-Inlet Manifold-GT6 2/3 & Vit 2 | 3 | |
| 30 | STUD-ROCKER COVER | | |
| | 105123 Vit 6/1 → ⑤ | 3 | |
| | 105123 GT6 & Vit 1 ⑤ →/2 | 2 | |
| | HN2008 Nut(Plain) | 2/3 | |
| 31 | TN3208 Nut(Nyloc) | 2/3 | |
| | WP8 Washer(Plain) | 3 | |
| | WF508 Washer(Fibre) | 3 | |
| 32 | 516134 Bolt Rocker Cover-GT6 & Vit 1 ⑤ →/2 | 1 | |

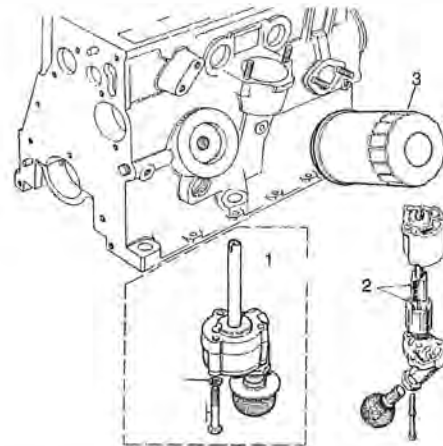


| | | | |
|----|---|----|--|
| 33 | ROCKER COVER | | |
| | 208923 Vit 6 → ⑥ | 1 | |
| | 210908 GT6 2/3 → ④ & Vit 6 ⑥ →/1/2 | 1 | |
| | 213496 GT6 1 (Chromed) | 1 | |
| | 214816 GT6 3 ④ → | 1 | |
| | 33/4/5 RC-2000 Alloy Rocker Cover & Cap-GT6/Vit | 1 | |
| | 34 GEG413 Gasket-Rocker Cover | 1 | |
| 35 | OIL FILLER/BREATHER CAP | | |
| | 113569 Vit 6 → ⑥ | 1 | |
| | 138176 GT6 3 ④ → & Vit 6 ⑥ → | 1 | |
| | 143393 GT6 1/2/3 → ④ & Vit 1/2 (G2C1400) | 1 | |
| | 36 114774 Plug-Water Gallery | 1 | |
| 37 | PUSH RODS | | |
| | 129058 GT6 1 & Vit 6/1 | 12 | |
| | 151073 GT6 2/3 → ④ & Vit 2 | 12 | |
| | 149513 GT6 3 ④ → | 12 | |
| 38 | CAM FOLLOWERS | | |
| | 144343 Vit 6 → ⑦ | 12 | |
| | 143552 GT6 1/2/3 & Vit 6 ⑦ →/1/2 | 12 | |
| 39 | 144648 Core Plug (Cup)-Large | 1 | |
| | 27378 Core Plug (Dish)-Large | 1 | |
| 40 | 144686 Core Plug (Cup)-Small | 1 | |
| | 116511 Core Plug (Dish)-Small | 1 | |

FOOTNOTES
 → ① = Upto (e) HB16301 Vit 6
 ① → = From (e) HB16301 Vit 6
 → ② = Upto (e) KE20000 GT6 3
 ② → = From (e) KE20001 GT6 3
 → ③ = Upto (e) KC51115 GT6 2
 ③ → = From (e) KC51116 GT6 2
 → ④ = Upto (e) KE10000 GT6 3
 ④ → = From (e) KE10001 GT6 3
 → ⑤ = Upto (e) HC2987 Vit 1
 ⑤ → = From (e) HC2988 Vit 1
 → ⑥ = Upto (e) HB27985 Vit 6
 ⑥ → = From (e) HB27986 Vit 6
 → ⑦ = Upto (e) HB29803E Vit 6 Small Tappel
 ⑦ → = From (e) HB29804E Vit 6 Large Tappel

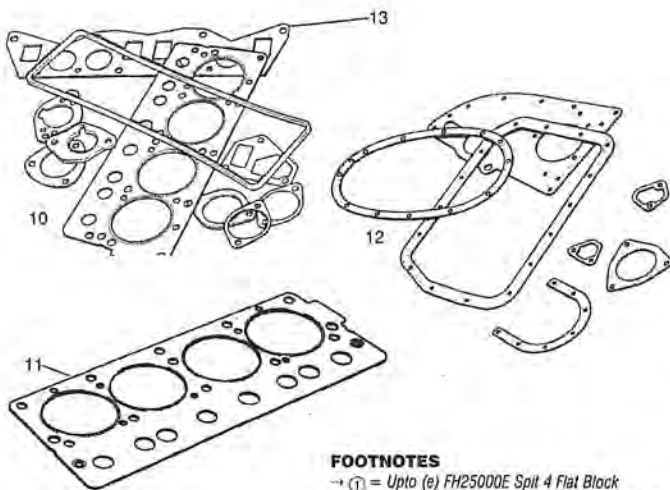
OIL PUMPS & FILTERS GASKETS SETS, & MOUNTINGS

| | | | |
|----------|--|---------------------------------------|--------------|
| 1 | OIL PUMPS | | |
| | 128921 | Spit 1/2/3 & Herald (Cast Pump) | 1 use 217058 |
| | 217058 | Spit 3/4/1500 → ① (Alloy Pump) | 1 |
| | RTC2680 | Spit 1500 ① → | 1 |
| | 149634 | GT6 1/2/3 → ② & Vit 6/1/2 (Cast Pump) | 1 use 217488 |
| | 217488 | GT6 3 ② → (Alloy Pump) | 1 |
| 2 | OIL PUMP REPAIR KIT (ROTOR & SPINDLE) | | |
| | 504863C | Spit 1/2/3 & Herald (Cast Pump) | 1 |
| | 504862A | Spit 4/1500 (Alloy Pump) | 1 |
| | 508975 | GT6 1/2/3 → ② & Vit 6/1/2 (Cast Pump) | 1 |
| | 519569 | GT6 3 ② → (Alloy Pump) | 1 |
| 3 | OIL FILTERS | | |
| | 105286 | Her 948 | 1 |
| | GFE119 | Spit & Herald 1200/1250/1360 | 1 |
| | GFE138 | GT6 (2" Deep) | 1 |
| | GFE131 | Vitesse (3.5" Deep) | 1 |
| 4 | OIL COOLER KITS | | |
| | OCK-4 | Spit & Her-with 10 Row Oil Cooler | 1 |
| | OCK-THRM | Thermostat (In Line) | 1 |
| | OCK-6 | GT6&Vit(Utilising Std Filter) | 1 |
| | OCK-6A | GT6&Vit(Using Spin on Oil Filter) | 1 |
| 5 | | | |
| | TT1286 | GT6&Vit-Spin On Filter Adaptor | 1 |
| | GFE180 | Oil Filter-Spin On Filter Conversion | 1 |



FOOTNOTES

- ① = Upto (e) FM59899 Spit 1500 Straight Pump
- ① → = From (e) FM59900 Spit 1500 Angled Pump
- ② = Upto (e) KE775 GT6 3 Cast Pump
- ② → = From (e) KE776 GT6 3 Alloy Pump



FOOTNOTES

- ① = Upto (e) FH25000E Spit 4 Flat Block
- ① → = From (e) FH25001E Spit 4 Recessed Block
- ② = Upto (e) KE10000 GT6 3 Flat Block
- ② → = From (e) KE10001 GT6 3 Recessed Block

GASKET SETS

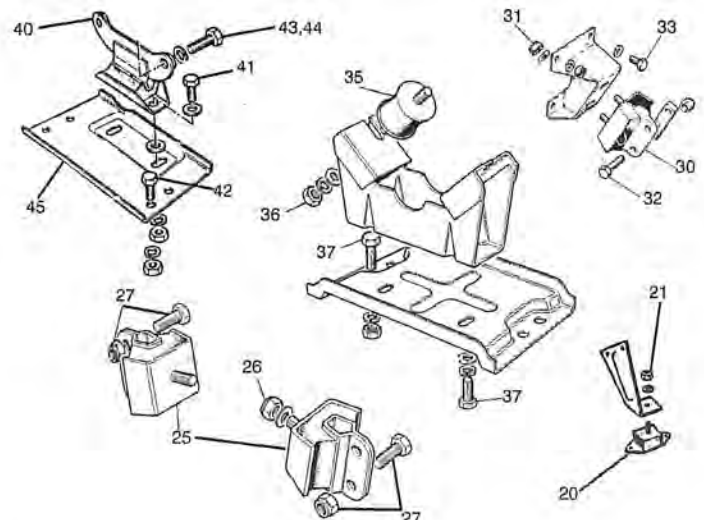
| | | | |
|-----------|--------------------------------|--|---|
| 10 | DECOKE GASKET SETS | | |
| | GEG117 | Herald 1200/1250 (Single Carb) | 1 |
| | GEG1181 | Herald 1360 | 1 |
| | GEG183 | Spitfire 1/2 & Herald 1200 (Twin Carb) | 1 |
| | GEG1149 | Spitfire 3/4 → ① | 1 |
| | GEG1209 | Spitfire 4 ① → (Recessed Block) | 1 |
| | GEG1195 | Spitfire 1500 | 1 |
| | GEG185 | Vitesse 6 | 1 |
| | GEG115 | GT6 1 & Vitesse 1 | 1 |
| | GEG198 | GT6 2/3 → ② & Vitesse 2 | 1 |
| | GEG1204 | GT6 3 ② → (Recessed Block) | 1 |
| 11 | HEAD GASKETS | | |
| | GEG314 | Herald 1200/1250 & Spitfire 1/2 | 1 |
| | GEG374 | Herald 1360 & Spitfire 3/4 → ① | 1 |
| | GEG373 | Spitfire 4 ① → /1500 | 1 |
| | 208652 | Vitesse 6 | 1 |
| | 207102 | GT6 1 & Vitesse 1 | 1 |
| | GEG346 | GT6 2/3 → ② & Vitesse 2 | 1 |
| | GEG387 | GT6 3 ② → | 1 |
| 12 | CONVERSION GASKET SETS | | |
| | GEG216 | Spitfire 1/2/3 & Herald | 1 |
| | GEG279 | Spit 4/1500 | 1 |
| | GEG214 | GT6 & Vitesse | 1 |
| 13 | MANIFOLD TO HEAD GASKET | | |
| | GEG615 | Herald 1200/1250 & Spitfire 1/2 | 1 |
| | GEG648 | Herald 1360 & Spitfire 3/4 | 1 |
| | GEG681 | Spitfire 1500 | 1 |
| | GEG613 | Vitesse 6/1 & GT6 1 | 1 |
| | GEG682 | Vitesse 2 & GT6 2/3 | 1 |

ENGINE & GEARBOX MOUNTINGS

| | | | |
|-----------|---------|--|---|
| 20 | 104526 | Engine Mounting-Herald 948/1200 → ① | 2 |
| 21 | HN2009W | Plain Nut & Washer | 2 |
| 25 | UKC5334 | Engine Mounting-Spit/Her ① → | 2 |
| 26 | TN3209W | Nyloc Nut & Washer | 2 |
| 27 | HB909C | Bolt & Nut-Eng Mntg to Turret | 2 |
| 30 | 132669 | Engine Mounting-GT6 & Vitesse | 2 |
| 31 | TN3209W | Nyloc Nut & Washer | 4 |
| 32 | HB912C | Bolt & Nut-Engine Mounting to Turret | 4 |
| 33 | HU906W | Bolt & Washers-Bracket to Block | 8 |
| 35 | 122689 | Gearbox Mounting-Standard Gearbox | 2 |
| 36 | HN2008W | Plain Nut & Washers | 2 |
| 37 | HU805W | Set Bolt & Washers-G/Box Mntg Plate | 6 |
| 40 | 159656 | Gearbox Mounting-Overdrive Gearbox | 1 |
| 41 | HU806C | Bolt/Nut & Washers-Mounting to Plate | 2 |
| 42 | HU805C | Bolt/Nut & Washers-Plate to Chassis | 4 |
| 43 | HU957W | Bolt & Washer-Mntg to J Type Overdrive | 2 |
| 44 | HU807 | Bolt & Washer-Mntg to D Type Overdrive | 2 |
| 45 | 148897 | O/D Mntg Plate-Spit 1/2/3/4 (D Type O/D) | 1 |
| | TKC1407 | O/D Mntg Plate-Spit 4/1500 (J Type O/D) | 1 |
| | 147629 | O/D Mntg Plate-GT6 & Vit (D Type O/D) | 1 |

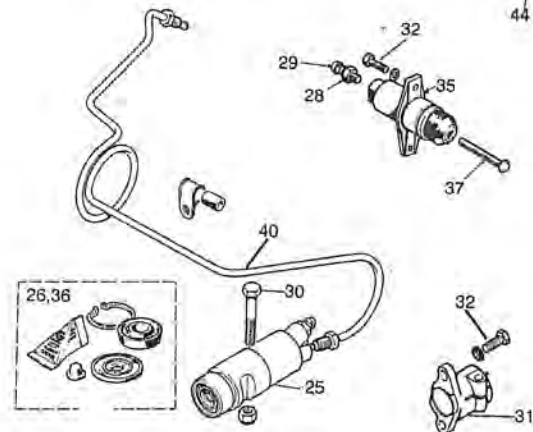
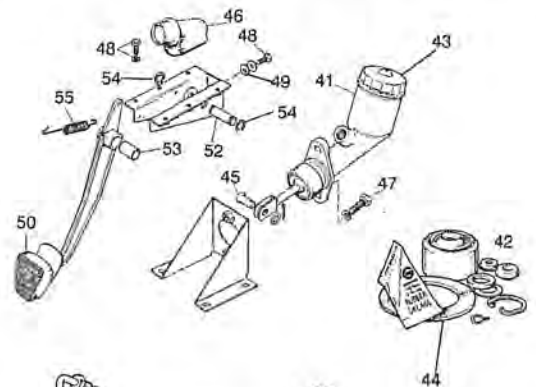
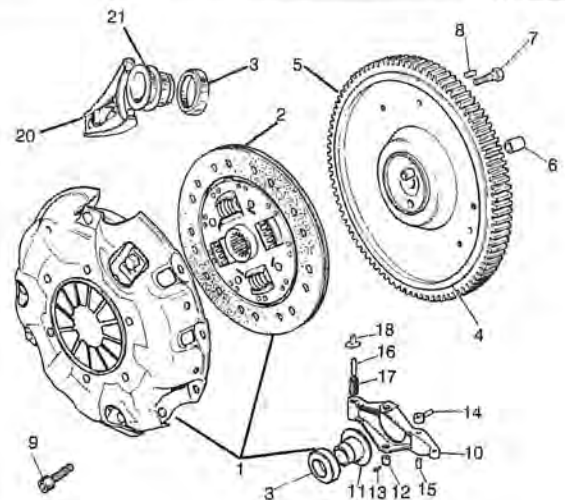
FOOTNOTES

- ① = Upto (c) GA80000 Herald 948/1200 Mk1
- ① → = From (c) GA80001 Herald 1200 Mk2



CLUTCH & CLUTCH HYDRAULICS

| | | | |
|----|--|---|-----|
| 1 | CLUTCH KITS | | |
| | GCK-S1 | Spit 1 & Herald → 65 (Coil Spring Type) | 1 |
| | GCK272 | Spit 2/3 & Herald 65 → (Diaphragm Type) | 1 |
| | GCK273 | Spit 4 | 1 |
| | GCK160 | Spit 1500 | 1 |
| | GCK-V6 | Vitesse 6 | 1 |
| | GCK282 | Vitesse 1/2 & GT6 | 1 |
| 2 | CLUTCH PLATES | | |
| | GCP102 | Spit 1 & Herald → 65 (Coil Spring Type) | 1 |
| | GCP138 | Spit 2/3 & Herald 65 → (Diaphragm Type) | 1 |
| | GCP222 | Spit 4 | 1 |
| | GCP230 | Spit 1500 | 1 |
| | GCP139 | Vitesse 6 | 1 |
| | GCP140 | Vitesse 1/2 & GT6 | 1 |
| 3 | CLUTCH RELEASE BEARINGS | | |
| | GRB206 | Spit 1 & Herald → 65 (Coil Spring Type) & Vit 6 | 1 |
| | GRB207 | Spit 2/3/4/1500 & Herald 65 → (Diaphragm Type) | 1 |
| | GRB209 | Vitesse 1/2 & GT6 | 1 |
| 4 | FLYWHEEL ASSEMBLY | | |
| | | (RECON)-NEW RING GEAR & REFACED | |
| | 129460E | Spit 1 & Herald → 65 (Coil Spring Type) | 1 |
| | 141674E | Spit 2/3/4 & Herald 65 → (Diaphragm Type) | 1 |
| | TKC1840E | Spit 1500 | 1 |
| | 132321E | Vitesse 6 → (e) HB17719E | 1 |
| | 139978E | Vitesse 6 (e) HB17720E | 1 |
| | 143689E | Vitesse 1 → | 1 |
| | 148042E | Vitesse 1 ① -/2 & GT6 1 ① -/2/3 | 1 |
| | | **Surcharge on Recon Flywheel Assembly** | |
| 5 | 201350 | Flywheel Gear Ring-All Models | 1 |
| 6 | 105143 | Spigot Bush Crankshaft-All Models | 1 |
| 7 | FLYWHEEL BOLT | | |
| | 138526 | Spit 1/2/3/4 & Herald & Vit 6/1 → ① & GT6 1 → ① | 4 |
| | UKC4254 | Spit 1500 & Vit 1 ① -/2 & GT6 1 ① -/2/3 | 4 |
| 8 | DP407 | Dowel-Clutch Locating-GT6/Vit | 3 |
| | DP410 | Dowel-Clutch Locating-Spit/Her (UKC1937) | 3/2 |
| 9 | SCREW-CLUTCH TO FLYWHEEL | | |
| | 146176 | Spit 1500 (Allan Screw) | 6 |
| | HU805W | Spit 1/2/3/4 & Herald | 6 |
| | HU856W | GT6 & Vit 1/2 | 6 |
| | | SPITFIRE & HERALD CLUTCH ARM SPARES | |
| 10 | 207907 | Clutch Lever (Coil Spring Clutch) | 1 |
| | 213032 | Clutch Lever (Diaphragm Clutch) | 1 |
| 11 | 125374 | Release Bearing Carrier (Coil Spring Clutch) | 1 |
| | 139563 | Release Bearing Carrier (Diaphragm Clutch) | 1 |
| 12 | 112509 | Support-Release Bearing Carrier | 1 |
| 13 | DS914 | Pin-for 112509 | 2 |
| 14 | 109182 | Push Rod-Clutch Slave Cylinder | 1 |
| 15 | 112516 | Dowel-Push Rod to Clutch Lever | 1 |
| 16 | 129410 | Fulcrum Pin-Clutch Lever | 1 |
| | ULC2713 | Fulcrum Pin-Clutch Lever (Late 1500) | 1 |
| 17 | 129412 | Tolerance Ring-Fulcrum Pin | 1 |
| 18 | 129358 | Bush (In Ball Housing)-Fulcrum Pin | 2 |
| | | GT6 & VITESSE CLUTCH ARM SPARES | |
| 20 | 132080 | Clutch Lever-GT6 & Vit | 1 |
| 21 | 116298 | Release Bearing Carrier-Vit 6 | 1 |
| | 143707 | Release Bearing Carrier-Vit 1/2 & GT6 | 1 |
| 25 | CLUTCH SLAVE CYLINDER * 4 CYL * | | |
| | 144716 | Spit 2 ③ → & Herald 65 → *7/8** | 1 |
| | 110762 | Spit 1/2 → ③ & Herald → 65 * 3/4** | 1 |
| 26 | SERVICE KIT-CLUTCH SLAVE CYLINDER * 4 CYL * | | |
| | SP2001 | Spit 2 ③ → & Herald 65 → *7/8** | 1 |
| | SP2348 | Spit 1/2 → ③ & Herald → *3/4** | 1 |
| 28 | 513603 | Bleed Screw-Clutch Slave Cyl | 1 |
| 29 | 234957A | Cap-Bleed Screw | 1 |
| 30 | HB818C | Bolt & Nut | 1 |
| 31 | 206175 | Carrier-Clutch Slave Cylinder | 1 |
| 32 | HU807W | Set Bolt & Washer | 2 |
| 35 | CLUTCH SLAVE CYLINDER * 6 CYL * | | |
| | 514356 | Vitesse 6 | 1 |
| | 516788 | GT6 & Vitesse 1/2 | 1 |
| 36 | SERVICE KIT-CLUTCH SLAVE CYLINDER * 6 CYL * | | |
| | SP4190 | Vitesse 6 | 1 |
| | SP2487 | GT6 & Vitesse 1/2 | 1 |
| 37 | 132239 | Push Rod-Clutch Slave Cyl | 1 |
| 28 | 513603 | Bleed Screw-Clutch Slave Cyl | 1 |
| 29 | 234957A | Cap-Bleed Screw | 1 |
| 32 | HU807W | Set Bolt & Washer | 2 |
| 40 | CLUTCH PIPE-MASTER TO SLAVE (COPPER) | | |
| | 305937 | Spitfire-RH Drive | 1 |
| | 205696 | Herald-RH Drive | 1 |
| | 146199 | GT6-RH Drive | 1 |
| | 209504 | Vitesse-RH Drive | 1 |
| 41 | GMC205 | Clutch Master Cylinder-All Models | 1 |
| 42 | SP1963 | Service Kit-Clutch Master Cylinder | 1 |
| 43 | 106094 | Cap-Clutch Master Cylinder (500201A) | 1 |



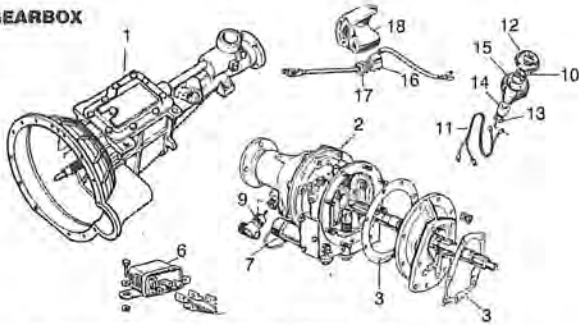
| | | | | |
|----|---------|---|---|------|
| 44 | 106095 | Seal-Clutch Master Cylinder Cap | 1 | 0.70 |
| 45 | PJ8808K | Clevis Pin Kit | 1 | |
| 46 | 125217 | Dust Cover-Clutch Master Cylinder | 1 | |
| 47 | HU807W | Bolt & Washer-Cyl to Bracket | 2 | |
| 48 | HU705W | Set Bolt & Lock Washer | 2 | |
| 49 | WM57 | Plain Washer | 8 | |
| 50 | | PEDAL RUBBERS | 4 | |
| | 150881 | Spit 4/1500 & GT6 3 | 1 | |
| | 122289 | Spit 1/2/3 & Herald & GT6 1/2 & Vitesse | 1 | |
| 52 | 119576 | Pivot Shaft-Brake/Clutch Pedal | 1 | |
| 53 | UKC1276 | Bush-Brake/Clutch Pedal | 1 | |
| 54 | 506542 | Retaining Clip-Brake/Clutch Pedal | 1 | |
| 55 | 114438 | Return Spring-Brake/Clutch Pedal | 2 | |
| | | | 1 | |

FOOTNOTES

- ① = Upto (e) HC4500 Vit 1 & KC5000 GT6 1
- = From (e) HC4501 Vit 1 & KC5001 GT6 1
- ② = Upto (e) HB17719E Vit 6
- ③ = From (e) HB17720E Vit 6
- ③ = Upto (e) FC70687 Spit 2

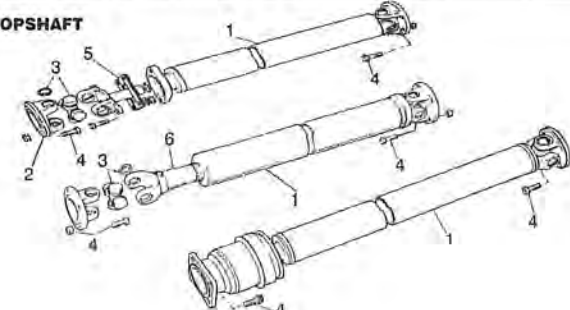
GEARBOX, DIFFERENTIAL & PROPSHAFT

GEARBOX

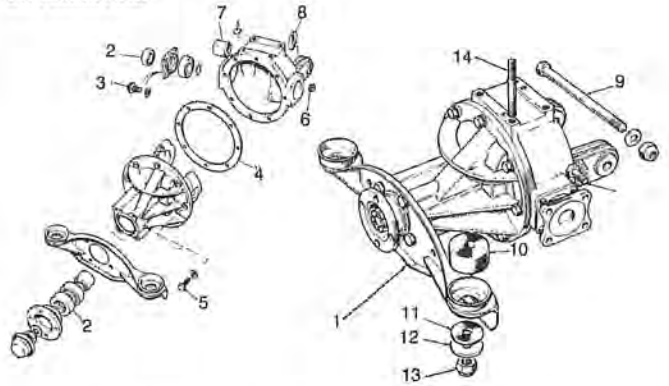


| | | |
|--|--|---|
| 1 GEARBOX (RECONDITIONED) EXCHANGE | | |
| GBX001 | Spit 1/2/3 (Std) | 1 |
| GBX002 | Herald (Std) | 1 |
| GBX003 | Spit 4 (Std) | 1 |
| GBX004 | Spit 4 (O/Drive D Type) | 1 |
| GBX005 | Spit 4 (O/Drive J Type) | 1 |
| GBX006 | Spit 1500 (Std) **See Footnote ① ** | 1 |
| GBX007 | Spit 1500 (O/Drive J Type) **See Footnote ① ** | 1 |
| GBX008 | GT6 & Vit 1/2 (Std) | 1 |
| GBX009 | GT6 & Vit 1/2 (O/Drive D Type) | 1 |
| GBX010 | Vit 6 (Std) | 1 |
| GBX011 | Vit 6 (Overdrive D Type) | 1 |
| | **SURCHARGE on Spit/Her Gearbox | 1 |
| | **SURCHARGE on GT6/Vit Gearbox | 1 |
| 2 OVERDRIVE UNIT (RECONDITIONED) EXCHANGE | | |
| OD001 | D Type Spit 1/2/3 & Herald & Vit 6 | 1 |
| OD002 | D Type Spit 4 & GT6 & Vit 1/2 | 1 |
| OD003 | J Type Spit 4/1500 | 1 |
| | **SURCHARGE on Overdrives | 1 |
| 3 GEARBOX GASKETS | | |
| 122569 | Bellhousing- ② | 1 |
| 157960 | Bellhousing-Spit 1500 | 1 |
| 120305 | Gear Lever Remote- ② | 1 |
| 106269 | Top Cover-All Models | 1 |
| 106437 | Rear Extension- ② | 1 |
| 22G1420 | Rear Extension-Spit 1500 | 1 |
| 37H1901 | Overdrive Plate to Overdrive | 1 |
| UKC2937 | Top Plate-Spit 1500 O/Drive Only | 1 |
| 4 GEARBOX & OVERDRIVE OIL SEALS (NOT ILLUSTRATED) | | |
| 132292 | Bell Housing GT6/Vit & Spit 1500 where fitted | 1 |
| 117510 | Rear Gearbox- ② | 1 |
| 88G564 | Rear Gearbox-Spit 1500 | 1 |
| NKC39 | O/Drive Rear (J Type) | 1 |
| 513231 | O/Drive Rear (D Type) | 1 |
| 5 | 147471 Reverse Light Switch- ② | 1 |
| GAE191 | Reverse Light Switch-Spit 1500 | 1 |
| 147471 | O/Drive Inhibitor Switch-All Models | 1 |
| 6 | 126792 Relay-D Type Overdrive | 1 |
| 7 | 512114 Solenoid-D Type Overdrive (010002) | 1 |
| NKC41 | Solenoid-J Type Overdrive | 1 |
| 8 | 519770 Gear Lever Remote Service Kit- ② | 1 |
| 9 | 120694 Angle Drive | 1 |
| OVERDRIVE SWITCH ON GEAR LEVER-SPIT 4/1500 & GT6 3 | | |
| 10 | 520999A Switch-Gear Lever O/Drive | 1 |
| 11 | 520999B Wiring-Gear Lever O/Drive | 1 |
| 12 | 155030C Cap Gear Lever O/Drive- ② | 1 |
| AAU6867C | Cap Gear Lever O/Drive-Spit 1500 | 1 |
| 13 | C30523 Locknut-Gear Lever Knob O/Drive | 1 |
| 14 | C30505 Cone Nut-Gear Lever Knob O/Drive | 1 |
| 15 | 155030 Knob Only-O/Drive Gear Lever | 1 |
| OVERDRIVE SWITCH ON COLUMN-SPIT 1/2/3 & GT6 1/2 & VITESSE | | |
| 16 | 147280 Switch-Column Overdrive | 1 |
| 17 | 609792 Bezel-Column Overdrive Switch | 1 |
| 18 | 611974 Escutcheon-Flasher & O/Drive Switch | 1 |

PROPSHAFT



DIFFERENTIAL



| | | |
|---|--|------|
| 1 DIFFERENTIAL-RECONDITIONED *EXCHANGE* | | |
| DIF001 | Her 1200/1360 & Spit 1/2/3 | 4.11 |
| DIF002 | Spit 4 & GT6 3 (Non Roto)-OD | 3.89 |
| DIF003 | Spit 1500 | 3.63 |
| DIF004 | GT6 1/2/3 (Roto)-OD | 3.89 |
| DIF005 | GT6 1/2/3 (Roto)-Std | 3.27 |
| DIF006 | GT6 3 (Non Roto)-Std | 3.27 |
| DIF004 | Vit 1/2 | 3.89 |
| DIF007 | Vit 6 | 4.11 |
| | **SURCHARGE on Differentials | 1 |
| 2 OIL SEALS | | |
| 141242 | Pinion-Spit 4/1500 & GT6 & Vit 1/2 | 1 |
| 109054 | Pinion-Spit 1/2/3 & Her & Vit 6 | 1 |
| 117952 | Output Flange-All Models | 2 |
| 3 | 123803W Screw & Washer-Output Flange Plate | 8 |
| 4 | 114749 Gasket-Diff Casing | 1 |
| 5 | HU808W Set Bolt & Washer-Diff Casing | 8 |
| 6 | 114774 Drain/Filler Plug | 1 |
| 7 | 117578 Bush-Rear Diff Casing | 2 |
| 8 | 149684 Packing Washer | 2 |
| 9 BOLT & NUT & WASHER-REAR DIFF MOUNTING | | |
| 136869C | Spittire & GT6 | 1 |
| HB1019C | Herald & Vitesse | 2 |
| 10 | 133568 Upper Bush-Front Diff Mounting | 2 |
| 11 | 131796 Lower Pad-Front Diff Mounting | 2 |
| 12 | WM810 Large Washer-Front Diff Mounting | 2 |
| 13 | TN3209 Nylac Nut-Front Diff Mounting | 2 |
| 14 STUDS-REAR SPRING MOUNTING | | |
| 136818 | Spit 1/2/3 & GT6 2/3 → ③ | 6 |
| 131008 | Spit 4/1500 & GT6 3 ③ → | 4 |
| 131008 | GT6 1 & Herald & Vitesse | 6 |

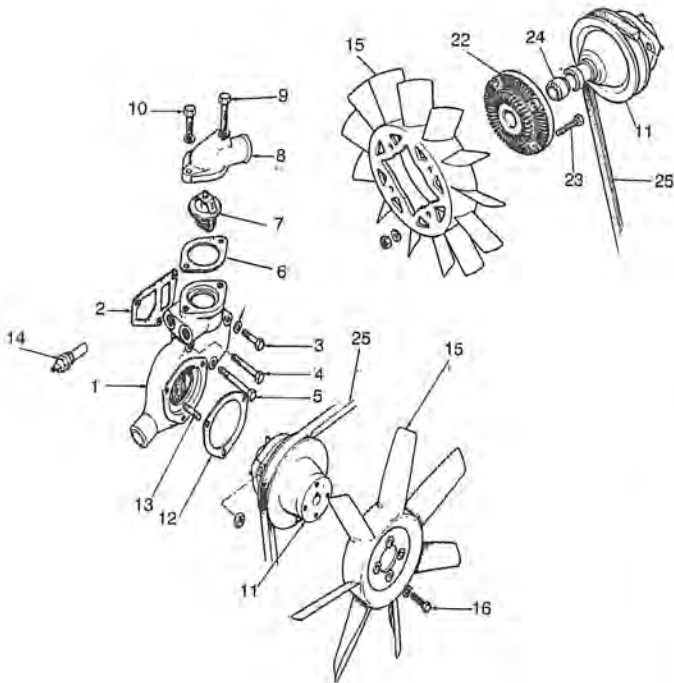
| | | |
|--|--|-----|
| 1 PROPSHAFT NEW | | |
| PKC1466B | Spit 1500 Std & Spit 4 O/D (REPRO) | 1 |
| PKC1467B | Spit 1500 O/D (REPRO) | 1 |
| TKC1753 | Spit 4 Std | 1 |
| 210508 | Spit 1/2/3 Std | 1 |
| 218952 | Spit 1/2/3 O/Drive | 1 |
| 213150 | GT6 1/2/3 Std | 1 |
| 213151 | GT6 1/2/3 O/Drive | 1 |
| 212549 | Herald 1360/1250/Estates-Strap Type | 1 |
| 207410 | Herald 1200-Solid Type | 1 |
| 211486 | Vitesse 1/2 Std | 1 |
| 213731 | Vitesse 1/2 O/Drive | 1 |
| 208947 | Vitesse 6 Std | 1 |
| 208338 | Vitesse 6 O/Drive | 1 |
| 2 FLANGE-PROP TO G/BOX & DIFF | | |
| 7H3863 | Spit 1/2/3 & Her & Vit 6 | 1/2 |
| 37H4973 | Spit 4/1500 & GT6 & Vit 1/2 | 1/2 |
| 3 | GUJ101 UJ Kit (Sealed) | 1/2 |
| GUJ115 | UJ Kit (with Grease Nipple) | 1/2 |
| 4 BOLT & NUT-PROP TO DIFF & G/BOX | | |
| 129361C | Spit 1/2/3 & Herald & Vit 6 | 8 |
| 132023C | Spit 4/1500 & GT6 & Vit 1/2 | 8 |
| 5 | 143215 Strap-Spit 4/1500 & Her 1360/1250 | 8 |
| 143214C | Bolt & Nut-Propshaft Strap | 4 |
| 6 | SJ001 Sliding Joint Assembly-GT6/Vit | 1 |

FOOTNOTES

- ① = Slate Scroll or Oil Seal Type Bellhousing, these are not interchangeable !!
 ② = Spit 1/2/3/4 & Herald & GT6 & Vitesse
 → ③ = Uplo (c) KE20000 GT6 3 Rotalflex
 ③ → = From (c) KE20001 GT6 3 Non Rotalflex

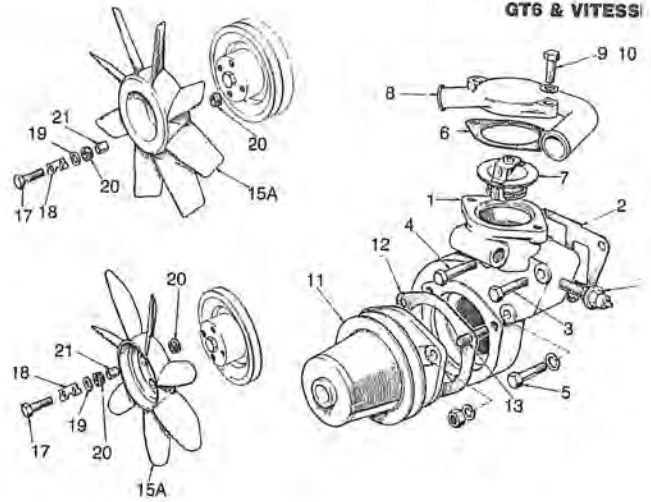
WATER PUMPS & FAN BLADES

SPITFIRE & HERALD



| | | |
|--|---|------------|
| 1 WATER PUMP BODY | | |
| 300915 Her 948 & Spit 1 | 1 | |
| 144297 Spit 2/3/4/1500 & Her 1200/1360 | 1 | |
| 142276 Vit 6 | 1 | |
| 307095 GT6 1/2/3 & Vit 1/2 | 1 | |
| 2 GASKET-WATER PUMP BODY TO HEAD | | |
| 138702 Spitfire & Herald | 1 | |
| 138792 GT6 & Vitesse | 1 | |
| 3 BOLT & WASHER (TOP RH)-WATER PUMP BODY | | |
| HB818W Spit & Her | 1 | |
| HB819W GT6 & Vit | 1 | |
| 4 BOLT & WASHER (TOP LH)-WATER PUMP BODY | | |
| HB822W Spit & Her | 1 | |
| HB825W GT6 & Vit | 1 | |
| 5 BOLT & WASHER (BOTTOM)-WATER PUMP BODY | | |
| HB819W Spit & Her | 1 | |
| HB818W GT6 & Vit | 1 | |
| 6 GTG103 Gasket Thermostat | 1 | |
| 7 GTS104 Thermostat 82°C-Standard | 1 | |
| 8 THERMOSTAT HOUSING & WATER ELBOW | | |
| 121602 Her 948/1200 → ① | 1 | |
| 134681 Her1200 ① →/1360 & Spit 2 ② →/3 | 1 | use 156333 |
| 134682 Spit 1 → ② | 1 | |
| 156333 Spit 4/1500 | 1 | |
| 212971 GT6 | 1 | |
| 209014 Vitesse | 1 | |
| 9 BOLT & WASHER-THERMOSTAT HOUSING | | |
| HB814W Spit 1/2/3 & Her 1200/1360 | 1 | |
| HB810W Spit 4/1500 | 1 | |
| HB812W GT6 & Vit | 1 | |
| 10 BOLT & WASHER-THERMOSTAT HOUSING | | |
| HU808W Spit & Her | 1 | |
| HB812W GT6 & Vit | 1 | |
| 11 WATER PUMPS | | |
| GWP200 Spit 1/2/3 & Herald | 1 | |
| GWP128 Spit 4/1500 → ③ ** Non Viscous ** | 1 | |
| UKC774 Spit 1500 ③ → ① ** Viscous ** | 1 | |
| GWP201 GT6 & Vitesse | 1 | |
| 12 138701 Gasket-Water Pump | 1 | |
| 13 101962NW Stud/Nut & Washer-W/Pump Body | 3 | |
| 14 GTR108 Temperature Sensor | 1 | |

GT6 & VITESSE



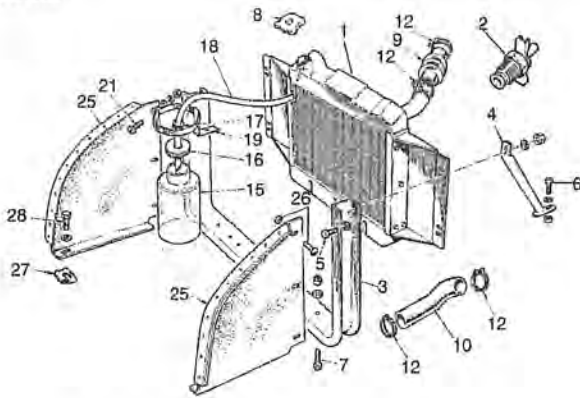
| | | |
|--|---|------------|
| 15 FAN BLADES | | |
| 122752 Spit 1/2 & Herald 948 (2 Blade Metal) | 1 | use 147971 |
| 147972 Spit 1/2/3 & Herald (4 Blade Metal) | 1 | |
| 309141 Spit 4/1500 → ③ (7 Blade Plastic) | 1 | |
| RKC92 Spit 1500 ③ → (13 Blade Plastic) | 1 | |
| 211986 GT6 1 → ⑥ & Vit 6/1 (6 Blade Metal) | 1 | |
| 308353 GT6 1 ⑥ →/2 & Vit 2 (8 Blade Plastic) | 1 | |
| 311865 GT6 3 (7 Blade Plastic) | 1 | use 308353 |
| 16 HU706W Bolt & Washer-Spit → ③ & Herald | 4 | |
| 17 HB810 Bolt-GT6 & Vit | 4 | |
| 18 107857 Tab Washer-GT6 & Vit | 2 | |
| 19 108495 Washer-GT6 & Vit | 4 | |
| 20 108496 Bush-GT6 & Vit | 8 | |
| 21 108499 Distance Piece-GT6 & Vit | 4 | |
| 22 UKC3532 Viscous Coupling-Spit 1500 ③ → | 1 | |
| 23 HB712C Bolt & Nut-Spit 1500 ③ → | 4 | |
| 24 UKC759 Tolerance Ring-Spit 1500 ③ → | 1 | |
| 25 FAN BELTS | | |
| GCB11038 Spit 1/2/3 → ④ & Her 948/1200 → ⑤ | 1 | |
| GCB11025 Spit 3 ④ → & Her 1200 ⑤ →/1360 | 1 | |
| GFB11088 Spit 4/1500 | 1 | |
| GCB11038 Vit 6 | 1 | |
| GCB11125 GT6 1 → ⑥ & Vit 1 → ⑦ | 1 | |
| GCB11088 GT6 1 ⑥ → & Vit 1 ⑦ →/2 | 1 | |
| GCB11125 GT6.2 | 1 | |
| GCB11150 GT6.3 | 1 | |

FOOTNOTES

- ① = Upto (c) GA184793 & GD64761 Her 1200/1250
- ① → = From (c) GA184794 & GD64762 Her 1200/1250
- ② = Upto (c) FC68073 Spit 2
- ② → = From (c) FC68074 Spit 2
- ③ = Upto (c) FH105734 Spit 1500 Fixed Fan Blade
- ③ → = From (c) FH105735 Spit 1500 Viscous Fan Blade
- ④ = Upto (e) FD11147E Spit 3
- ④ → = From (e) FD11148E Spit 3
- ⑤ = Upto (e) GA235747E Her 1200
- ⑤ → = From (e) GA235748E Her 1200
- ⑥ = Upto (e) KC7095E GT6 1
- ⑥ → = From (e) KC7096E GT6 1
- ⑦ = Upto (e) HC7936E Vit 1
- ⑦ → = From (e) HC7937E Vit 1
- ⑧ = Upto (e) KC9226E GT6 1
- ⑧ → = From (e) KC9227E GT6 1

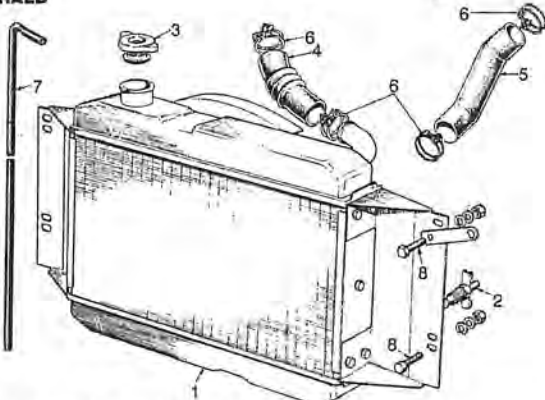
COOLING SYSTEM - RADIATORS

SPITFIRE



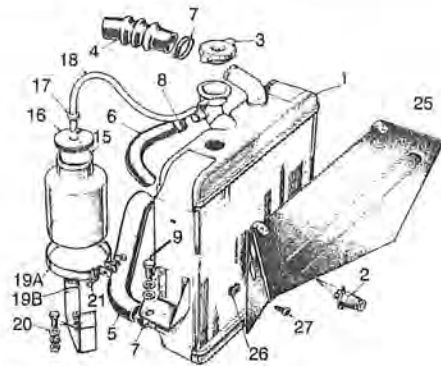
| | | | |
|-----------|--|---------------------------------------|---|
| 1 | RADIATOR (RECONDITIONED)-EXCHANGE | | |
| 305987E | Spit 1 → ① Full Width with Header Tank | 1 | |
| 402306E | Spit 1 ① → 1/2 Full Width | 1 | |
| 402823E | Spit 3/4/1500 | 1 | |
| | **SURCHARGE on Spitfire Radiators | 1 | |
| RKC2117 | Spitfire (Full Width High Capacity)-NEW | 1 | |
| | -Suitable replacement for all Spitfire | | |
| 2 | 132565 | Drain Tap-Radiator | 1 |
| 3 | TKC1761 | Radiator Cradle | 1 |
| 4 | 209750 | LH Radiator Stay | 1 |
| | 209750S | LH Radiator Stay (Stainless Steel) | 1 |
| | 209749 | RH Radiator Stay | 1 |
| | 209749S | RH Radiator Stay (Stainless Steel) | 1 |
| 5 | HU706C | Bolt/Nut & Washers-Radiator to Cradle | 4 |
| 6 | HU908C | Bolt/Nut & Washers-Stays to Turrets | 2 |
| 7 | HU807C | Bolt/Nut & Washers-Cradle to Chassis | 2 |
| 8 | GRC112 | Radiator Cap 7lb-Spit 1/2/3 | 1 |
| | GRC114 | Radiator Cap 13lb-Spit 3/4/1500 | 1 |
| | GRC102 | Header Tank Cap 7lb-Spit 1 → ① | 1 |
| 9 | GRH533 | Top Hose | 1 |
| 10 | GRH532 | Bottom Hose | 1 |
| 11 | 134696 | Hose Rad to Header Tank-Spit 1 → ① | 1 |
| 12 | CS4024A | Clip Radiator Hoses (Alt) | 4 |
| 25 | 706843 | LH Radiator Valance | 1 |
| | 706844 | RH Radiator Valance | 1 |
| 26 | 562403W | Rivet & Washer-Valance to Cradles | 6 |
| 27 | FG3405/4 | Nut & Clip-Valance to Chassis | 2 |
| 28 | HU706W | Bolt & Washer-Valance to Chassis | 2 |

HERALD



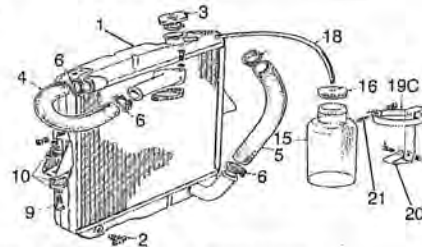
| | | | |
|----------|--|--|---|
| 1 | RADIATOR (RECONDITIONED)-EXCHANGE | | |
| 303486E | Herald 948 | 1 | |
| 305340E | Herald 1200 → ② Full Width | 1 | |
| 305667E | Herald 1200 ② → /1360 | 1 | |
| | **SURCHARGE on Herald Radiators | 1 | |
| 2 | 132565 | Drain Tap-Radiator | 1 |
| 3 | GRC102 | Radiator Cap 7lb-Her 948/1200 → ④ | 1 |
| | GRC114 | Radiator Cap 13lb-Her 1200 ④ → /1360 | 1 |
| 4 | GRH533 | Top Hose | 1 |
| 5 | GRH532 | Bottom Hose | 1 |
| 6 | CS4024A | Clip-Top & Bottom Hose (Alt) | 1 |
| 7 | 121311 | Overflow Hose | 1 |
| 8 | HU705C | Bolt/Nut & Washers-Radiator to Valance | 1 |

GT6



| | | | |
|-----------|--|------------------------------------|---|
| 1 | RADIATOR (RECONDITIONED)-EXCHANGE | | |
| 311873E | GT6 All Models | 1 | |
| | **SURCHARGE on GT6 Radiators | 1 | |
| 2 | 132565 | Drain Tap-Radiator | 1 |
| 3 | GRC114 | Radiator Cap 13lb-GT6 2/3 | 1 |
| | GRC112 | Radiator Cap 7lb-GT6 1/2 | 1 |
| 4 | GRH533 | Top Hose | 1 |
| 5 | GRH513 | Bottom Hose | 1 |
| 6 | GRH553 | Extra Top Hose | 1 |
| 7 | CS4024A | Clip-Top & Bottom Hose (Alt) | 4 |
| 8 | CS4016A | Clip-Extra Top Hose (Alt) | 2 |
| 9 | HU805W | Bolt & Washers-Radiator to Chassis | 4 |
| 25 | 818879 | Radiator Cowl | 1 |
| 26 | FU2566/4 | Spire Nut | 2 |
| 27 | YF7607 | Screw | 2 |

VITESSE



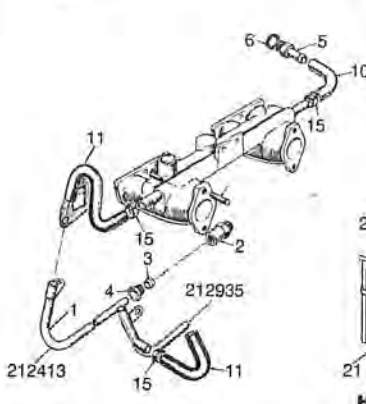
| | | | |
|------------|--|--|--------------|
| 1 | RADIATOR (RECONDITIONED)-EXCHANGE | | |
| 305306E | Vitesse 6 → ③ Rad with Header Tank | 1 | |
| 307125E | Vitesse 6 ③ → /1/2 | 1 | |
| | **SURCHARGE on Vitesse Radiators | 1 | |
| 2 | 132565 | Drain Tap-Radiator | 1 |
| 3 | GRC112 | Radiator Cap-Vit6 ③ → /1/2 | 1 |
| | GRC102 | Header Tank Cap-Vit 6 → ③ | 1 |
| 4 | GRH263 | Top Hose | 1 |
| 5 | GRH454 | Bottom Hose | 1 |
| 6 | CS4024A | Clip-Top & Bottom Hoses (Alt) | 4 |
| 7 | GRH268 | Header Tank Hose-Vit 6 → ③ | 1 |
| 8 | GS4020A | Clip-Header Tank Hose (Alt) | 2 |
| 9 | HB910C | Bolt/Nut & Washers-Radiator to Chassis | 2 |
| 10 | 48101 | Packing Piece-Radiator to Chassis | 6 |
| 15 | 137632 | Expansion Bottle | 1 |
| 16 | 137743 | Cap Expansion Bottle | 1 |
| 17 | 616925 | Grommet Expansion Bottle | 1 |
| 18 | 141475 | Overflow Hose-Spitfire | 1 use 137742 |
| | 142123 | Overflow Hose-GT6/Vit | 1 use 137742 |
| | 137742 | Overflow Hose TR4A/5/6 | 1 |
| 19 | 141606 | Bracket Expansion Bottle-Spitfire | 1 |
| 19A | 137624 | Clamp Expansion Bottle-GT6 | 1 |
| 19B | 145671 | Bracket Expansion Bottle-GT6 | 1 |
| 19C | 212146 | Bracket Expansion Bottle-Vitesse | 1 |
| 20 | HU704C | Bolt/Nut & Washers-GT6 | 2 |
| | HU708C | Bolt/Nut & Washers-Vitesse | 2 |
| *21 | PT508C | Screw/Nut & Washers | 1 |

FOOTNOTES

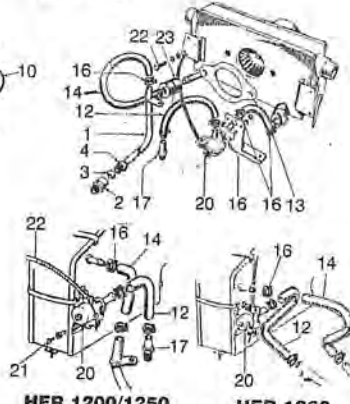
- ① = Upto (c) FC39925 Spit 1
- ① → = From (c) FC39926 Spit 1
- ② = Upto (c) GA80000 Her 1200 Mk1
- ② → = From (c) GA80001 Her 1200 Mk2
- ③ = Upto (c) HB26149 Vit 6
- ③ → = From (c) HB26160 Vit 6
- ④ = Upto (c) GA240781 Her 1200
- ④ → = From (c) GA240782 Her 1200

COOLING SYSTEM - HEATER

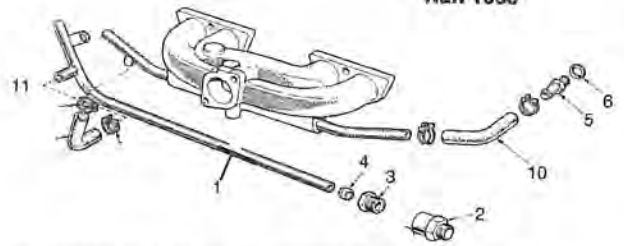
SPITFIRE



SPITFIRE



HER 1360



SPITFIRE & HERALD

1 METAL PIPE-HEATER RETURN

| | | | |
|---------|---|-------------------------------|---|
| 209776S | Spitfire 1 (Stainless Steel) | 1 | |
| 212416S | Spitfire 2/3/4 → ① (Stainless Steel) | 1 | |
| 212935 | Spitfire 4 ① → /1500 & Her 1360 | 1 | |
| 212935S | Spitfire 4 ① → /1500 (Stainless Steel) | 1 | |
| 206085 | Her 948/1200 | 1 | |
| 2 | 101343 | Adaptor Water Pump Body-Lower | 1 |
| 3 | TL11 | Olive Metal Pipe | 1 |
| 4 | 101302 | Nut Metal Pipe | 1 |
| 5 | 138530 | Adaptor Water Pump Body | 1 |
| 6 | WF524 | Fibre Washer | 1 |
| 10 | HOSE-WATER PUMP BODY TO INLET MANIFOLD | | |
| | 137876 | Spit 2 | 1 |
| | 149699 | Spit 3/4 | 1 |
| | UKC5285 | Spit 1500 | 1 |
| | 149700 | Her 1360 (GRH900) | 1 |
| 11 | HOSE-INLET MANIFOLD TO RETURN PIPE | | |
| | 612160 | Spit 2 | 1 |
| | 152521 | Spit 3/4 → ① | 1 |
| | UKC5285 | Spit 4 ① → /1500 | 1 |
| | 149700 | Her 1360 (GRH900) | 1 |

12 HOSE-HEAD OR INLET MANIFOLD TO HEATER VALVE

| | | | |
|--------|---|--------------------------------|---|
| 156379 | Spit 1/2/3/4 → ① (GZA983) *from Head* | 1 | |
| 154405 | Spit 4 ① → /1500 (GRH812) *from Manifold* | 1 | |
| 105177 | Her 948/1200 → ③ | 1 | |
| 149803 | Her 1200 ③ → | 1 | |
| 214411 | Her 1360 | 1 | |
| 13 | 152525 | Hose-Heater Valve to Heater In | 1 |
| 14 | HOSE-HEATER OUT TO METAL PIPE | | |
| | 152523 | Spitfire | 1 |
| | 123495 | Her 948/1200 → ③ | 1 |
| | 142689 | Her 1200 ③ → ① | 1 |
| | 214412 | Her 1360 | 1 |

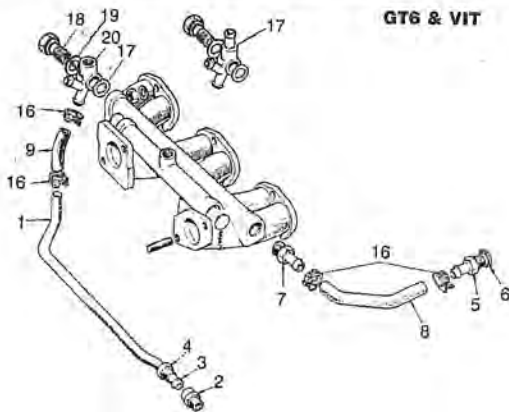
15 HOSE-HEATER VALVE TO HEATER (DELANEY GALLEY ONLY)

| | | | |
|----|---------|-----------------------------|-----|
| | 511701 | Her 1200 & 1360 | 1 |
| 16 | CJ3014A | Clip-Heater Hoses (Alt) | A/R |
| 17 | 57602 | Adaptor Head-Spit 1/2/3/4 → | 1 |
| | 57602 | Adaptor Head-Her 948/1200 | 1 |

20 HEATER VALVE & SEAL (NOT INCLUDING ADAPTOR)

| | | | |
|-----|---------|--------------------------------------|---|
| | 706934 | Spit 1/2/3 | 1 |
| | 724021 | Spit 4/1500 | 1 |
| | 560611 | Herald-Smiths Heater | 1 |
| | 560612 | Herald-DeLaney Galley Heater | 1 |
| 20A | C9928A | O Ring Seal-Valve to Adaptor | 1 |
| | 505771W | Nut & Washer-Heater Valve to Bracket | 2 |
| | | Screw-Heater Valve to Adaptor | 2 |
| 21 | 609123K | Trunnion & Screw-Heater Cable | 4 |
| 22 | HC01 | Heater Cable (UNIVERSAL) | 2 |
| 23 | 61917 | Grommet-Heater Cable | 1 |

GT6 & VIT

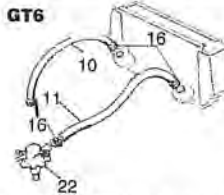


GT6 & VITESSE

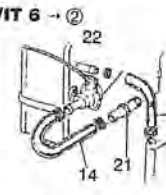
1 METAL PIPE-HEATER RETURN

| | | | |
|---------|---|-------------------------------|---|
| 210834 | GT6 1/2 & Vit 6 ② → /1/2 | 1 | |
| 210834S | GT6 1/2 & Vit 6 ② → /1/2 (Stainless Steel) | 1 | |
| 217467 | GT6 3 | 1 use 210834 | |
| | 305588 | Vit 6 → ② | 1 |
| 2 | 101343 | Adaptor Water Pump Body-Lower | 1 |
| 3 | TL11 | Olive Metal Pipe | 1 |
| 4 | 101302 | Nut Metal Pipe | 1 |
| 5 | 138530 | Adaptor Water Pump Body-Upper | 1 |
| 6 | WF524 | Fibre Washer | 1 |
| 7 | 138810 | Adaptor Inlet Manifold | 1 |
| 8 | HOSE-WATER PUMP BODY TO INLET MANIFOLD | | |
| | 137876 | GT6 1/2/3 & Vit 6 ② → /1/2 | 1 |
| 9 | HOSE-METAL PIPE TO BANJO UNION | | |
| | 140986 | GT6 1/2 & Vit 6 ② → /1/2 | 1 |
| | 149699 | GT6 3 | 1 |
| 10 | HOSE-HEATER OUT TO BANJO UNION | | |
| | 614118 | GT6 1/2/3 | 1 |

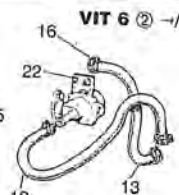
GT6



VIT 6 → ②



VIT 6 ② → /1/2



11 HOSE-HEATER VALVE TO HEATER IN

| | | | |
|--|--------|-----------------------------|---|
| | 613488 | GT6 1/2/3 Non Servo | 1 |
| | 159360 | GT6 1/2/3 with Servo Fitted | 1 |

12 HOSE-BANJO UNION TO HEATER VALVE

| | | | |
|--|--------|----------------|---|
| | 141999 | Vit 6 ② → /1/2 | 1 |
|--|--------|----------------|---|

13 HOSE-HEATER OUT TO BANJO UNION

| | | | |
|--|--------|-------------------------|---|
| | 141998 | Vit 6 ② → /1/2 (151782) | 1 |
|--|--------|-------------------------|---|

14 HOSE-HEAD TO HEATER VALVE

| | | | |
|--|--------|-----------|---|
| | 612160 | Vit 6 → ② | 1 |
|--|--------|-----------|---|

15 HOSE-HEATER OUT TO RETURN PIPE

| | | | |
|--|--------|-----------|---|
| | 612159 | Vit 6 → ② | 1 |
|--|--------|-----------|---|

| | | | |
|----|---------|-------------------------|-----|
| 16 | CJ3014A | Clip-Heater Hoses (Alt) | A/R |
|----|---------|-------------------------|-----|

| | | | |
|----|--------|-----------------|---|
| 17 | 145938 | Banjo Union-GT6 | 1 |
|----|--------|-----------------|---|

| | | | |
|--|--------|----------------------------|---|
| | 145407 | Banjo Union-Vit 6 ② → /1/2 | 1 |
|--|--------|----------------------------|---|

| | | | |
|--|--------|------------------|---|
| | 145155 | Bolt-Banjo Union | 1 |
|--|--------|------------------|---|

| | | | | |
|--|----|-------|----------------------------|---|
| | 19 | WF534 | Washer-Banjo Union to Bolt | 1 |
|--|----|-------|----------------------------|---|

| | | | | |
|--|----|-------|--------------------------------|---|
| | 20 | WF550 | Washer-Banjo Union to Manifold | 1 |
|--|----|-------|--------------------------------|---|

| | | | | |
|--|----|--------|------------------------|---|
| | 21 | 127751 | Adaptor Head-Vit 6 → ② | 1 |
|--|----|--------|------------------------|---|

22 HEATER VALVES

| | | | |
|--|--------|-------|---|
| | 619854 | GT6 1 | 1 |
|--|--------|-------|---|

| | | | |
|--|--------|---------|---|
| | 724022 | GT6 2/3 | 1 |
|--|--------|---------|---|

| | | | |
|--|--------|-------------------------|---|
| | 511774 | Vitesse (includes Seal) | 1 |
|--|--------|-------------------------|---|

| | | | |
|--|--------|-----------------------------|---|
| | C9928A | Seal-Heater Valve (Vitesse) | 1 |
|--|--------|-----------------------------|---|

| | | | |
|--|---------|-------------------------------|---|
| | 609123K | Trunnion & Screw-Heater Cable | 4 |
|--|---------|-------------------------------|---|

| | | | |
|--|------|--------------------------|---|
| | HC01 | Heater Cable (UNIVERSAL) | 2 |
|--|------|--------------------------|---|

| | | | |
|--|-------|----------------------|---|
| | 61917 | Grommet-Heater Cable | 1 |
|--|-------|----------------------|---|

FOOTNOTES

- ① = Upto (e) FH59688 Spit 4
- ① → = From (e) FH59689 Spit 4
- ② = Upto (e) HB27985 & (b) HB15000 Vit 6 Solex Carbs
- ② → = From (e) HB27986 & (b) HB15001 Vit 6 Stromberg Carbs
- ③ = Upto (c) GA80000 Her 1200 Mk1
- ③ → = From (c) GA80001 Her 1200 Mk2

FUEL - SU & STROMBERG CARBS

SU CARBURETTORS-SPITFIRE

CARBURETTORS (RECONDITIONED)

| | | | | |
|---|----------------------------------|-----------|-------------------|-----|
| 1 | AUC983E | Spit 1/2 | HS2 Fixed Needle | 1pr |
| | AUD257E | Spit 3 | HS2 Fixed Needle | 1pr |
| | AUD441E | Spit 4 | HS2 Biased Needle | 1pr |
| | AUD665E | Spit 1500 | HS4 Standard Jet | 1pr |
| | FZX1327E | Spit 1500 | HS4 Waxstat Jet | 1pr |
| | **SURCHARGE on RECON Carburetors | | | 1pr |

2 CARB SERVICE KIT-

(2 Jets, Needle Valves, Plus all associated Gaskets)

| | | | | |
|--|---------|--------------|------------------------|---|
| | CSK60 | Spit 1/2/3/4 | HS2 Carbs | 1 |
| | CSK52/3 | Spit 1500 | Standard Jet HS4 Carbs | 1 |
| | CSK49 | Spit 1500 | Waxstat Jet HS4 Carbs | 1 |

3 CARB REPAIR KITS-

(Service Kit plus 2 x Throttle Spindles & Discs)

| | | | | |
|--|--------|--------------|------------------------|---|
| | CRK115 | Spit 1/2/3/4 | HS2 Carbs | 1 |
| | CRK147 | Spit 1500 | Standard Jet HS4 Carbs | 1 |
| | CRK258 | Spit 1500 | Waxstat Jet HS4 Carbs | 1 |

4 WZX1100 Needle Valve Kit-All Models

| | | | |
|--|---------|-----------------------------|---|
| | WZX1100 | Needle Valve Kit-All Models | 2 |
|--|---------|-----------------------------|---|

5 WZX1300 Float Assembly

| | | | |
|--|---------|----------------|---|
| | WZX1300 | Float Assembly | 2 |
|--|---------|----------------|---|

6 DAMPER ASSEMBLY

| | | | |
|--|---------|-----------------------|---|
| | AUC8114 | Spit 1/2/3/4/1500 → ① | 2 |
|--|---------|-----------------------|---|

| | | | |
|--|---------|-----------------|---|
| | LZX1313 | Spit 1500 ① → ② | 2 |
|--|---------|-----------------|---|

| | | | |
|--|---------|---------------|---|
| | LZX1506 | Spit 1500 ② → | 2 |
|--|---------|---------------|---|

7 AUC4387 Piston Spring-Spit 1/2/3/4/1500 → ①

| | | | |
|--|---------|-------------------------------------|---|
| | AUC4387 | Piston Spring-Spit 1/2/3/4/1500 → ① | 2 |
|--|---------|-------------------------------------|---|

| | | | |
|--|---------|-----------------------------|---|
| | AUD4355 | Piston Spring-Spit 1500 ① → | 2 |
|--|---------|-----------------------------|---|

8 108302W Screw&Washer-Float Chamber Lid (JEX1394)

| | | | |
|--|---------|--|---|
| | 108302W | Screw&Washer-Float Chamber Lid (JEX1394) | 6 |
|--|---------|--|---|

| | | | |
|--|---------|--------------------------|---|
| | AUC8459 | Gasket-Float Lid Chamber | 2 |
|--|---------|--------------------------|---|

9 CARB NEEDLES (STANDARD)

| | | | | |
|--|---------|----------|----|---|
| | AUD1478 | Spit 1/2 | AD | 2 |
|--|---------|----------|----|---|

| | | | | |
|--|---------|--------|----|---|
| | AUD1526 | Spit 3 | BO | 2 |
|--|---------|--------|----|---|

| | | | | |
|--|---------|--------|-----|---|
| | CUD1012 | Spit 4 | AAN | 2 |
|--|---------|--------|-----|---|

| | | | | |
|--|---------|---------------|-----|---|
| | CUD1041 | Spit 1500 → ① | ABT | 2 |
|--|---------|---------------|-----|---|

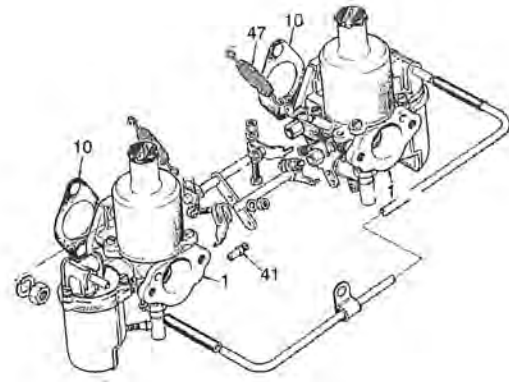
| | | | | |
|--|---------|---------------|-----|---|
| | NZX4013 | Spit 1500 ① → | ADN | 2 |
|--|---------|---------------|-----|---|

10 GASKET-CARB TO MANIFOLD

| | | | |
|--|--------|-------------------------------------|---|
| | 134936 | Spit 1/2/3 *Spacer Block & Gaskets* | 2 |
|--|--------|-------------------------------------|---|

| | | | |
|--|--------|--------|---|
| | 1G2624 | Spit 4 | 2 |
|--|--------|--------|---|

| | | | |
|--|---------|-----------|---|
| | UKC2992 | Spit 1500 | 4 |
|--|---------|-----------|---|



| | | | |
|-----|---------|---|---|
| 11 | UKC8372 | Heat Shield-Spit 1500 | 1 |
| 11A | AHTS-01 | Alloy Heat Shield-Spit 1500 (HS4) | 1 |
| | AHTS-02 | Alloy Heat Shield-Spit 1/2/3/4 (HS2) | 1 |
| 15 | WAX-STD | Spit 1500 Waxstat to Std Jet Conversion (2 x Std Jet & 2 x Choke Links to Suit) | 1 |

FOOTNOTES

→ ① = Upto (e) FM105278E AUD665 & FZX1258 Carbs Spit 1500

① → = From (e) FM105279E FZX1122 Carbs Spit 1500

→ ② = Upto (e) FM118374E FZX1122 Carbs Spit 1500

② → = From (e) FM118375E FZX1327 Carbs Spit 1500

STROMBERG CARBURETTORS- GT6 & VITESSE & HERALD 1360

CARBURETTOR SPECIFICATIONS

| Model | Carb Type | Stromberg No | |
|-----------|-----------|--------------|-----|
| Her 1360 | CD150 | 3166 | 1 |
| GT6 1 | CD150 | 3092 | 1pr |
| GT6 2 | CD150S | 3223 | 1pr |
| GT6 3 → ④ | CD150SE | 3335 | 1pr |
| GT6 3 ④ → | CD150SE | 3432 | 1pr |
| Vit 6 ③ → | CD150 | 3027 | 1pr |
| Vit 1 | CD150 | 3137 | 1pr |
| Vit 2 | CD150S | 3224 | 1pr |

1 CARBURETTOR (RECONDITIONED) 1/2

2 CARB SERVICE KIT (PER CARB)

(Jet, Needle Valve, Diaphragm, Gaskets, O Rings & Screws/Washers)

| | | | |
|--|-------|----------------------------|-----|
| | CDSK1 | Her 1360 & GT6 1 & Vit 6/1 | 1/2 |
|--|-------|----------------------------|-----|

| | | | |
|--|--------|---------------|---|
| | CDSK11 | GT6 2 & Vit 2 | 2 |
|--|--------|---------------|---|

| | | | |
|--|-------|-------|---|
| | CDSK7 | GT6 3 | 2 |
|--|-------|-------|---|

3 CARB REPAIR KIT (PER CAR SET)

(Service Kit plus Throttle Spindles & Discs)

| | | | |
|--|--------|----------|---|
| | CDRK15 | Her 1360 | 1 |
|--|--------|----------|---|

| | | | |
|--|--------|-----------------|---|
| | CDRK10 | GT6 1 & Vit 6/1 | 1 |
|--|--------|-----------------|---|

| | | | |
|--|--------|---------------|---|
| | CDRK11 | GT6 2 & Vit 2 | 1 |
|--|--------|---------------|---|

| | | | |
|--|-------|-------|---|
| | CDRK8 | GT6 3 | 1 |
|--|-------|-------|---|

4* CARB GASKET PACKS (PER CARB)

(All Gaskets, O Rings Seals & Washers)

| | | | |
|--|------|----------------------------|-----|
| | GP59 | Her 1360 & GT6 1 & Vit 6/1 | 1/2 |
|--|------|----------------------------|-----|

| | | | |
|--|-------|---------------|---|
| | GP235 | GT6 2 & Vit 2 | 2 |
|--|-------|---------------|---|

| | | | |
|--|-------|-------|---|
| | GP245 | GT6 3 | 2 |
|--|-------|-------|---|

5* GASKET-CARB TO MANIFOLD

| | | | |
|--|--------|--------------------------------|-----|
| | 137881 | Her 1360 & GT6 1/2 & Vit 6/1/2 | 2/4 |
|--|--------|--------------------------------|-----|

| | | | |
|--|--------|-------|---|
| | 147659 | GT6 3 | 4 |
|--|--------|-------|---|

6 SPACER-CARB TO MANIFOLD

| | | | |
|--|--------|--------------------------------|-----|
| | 137882 | Her 1360 & GT6 1/2 & Vit 6/1/2 | 1/2 |
|--|--------|--------------------------------|-----|

| | | | |
|--|--------|-------|---|
| | 147660 | GT6 3 | 2 |
|--|--------|-------|---|

7* 521153 Diaphragm CD150

| | | | |
|--|--------|-----------------|-----|
| | 521153 | Diaphragm CD150 | 1/2 |
|--|--------|-----------------|-----|

8* 517453 Needle Valve Kit

| | | | |
|--|--------|------------------|-----|
| | 517453 | Needle Valve Kit | 1/2 |
|--|--------|------------------|-----|

9 605833A Float Assembly

| | | | |
|--|---------|----------------|-----|
| | 605833A | Float Assembly | 1/2 |
|--|---------|----------------|-----|

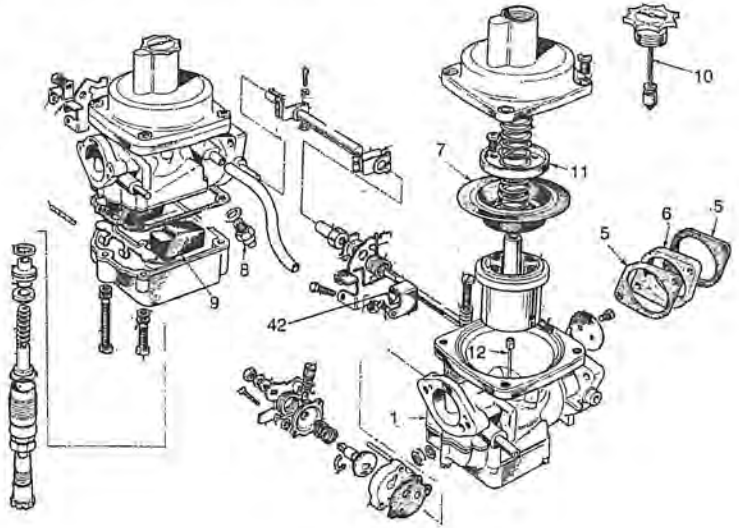
10 515112 Piston Damper

| | | | |
|--|--------|---------------|-----|
| | 515112 | Piston Damper | 1/2 |
|--|--------|---------------|-----|

11 → 513710 → Piston Spring-GT6 1 & Vit 1

| | | | |
|--|--------|-----------------------------|---|
| | 513710 | Piston Spring-GT6 1 & Vit 1 | 2 |
|--|--------|-----------------------------|---|

| | | | |
|--|--------|-------------------------------|---|
| | 516945 | Piston Spring-GT6 2/3 & Vit 2 | 2 |
|--|--------|-------------------------------|---|



| | | | |
|----|---------------------------------------|---------------------------------------|------|
| 12 | CARB NEEDLES | | |
| | 515114 | Her 13806E | 1 |
| | 514976 | Vit 6 7B | 2 |
| | 515724 | GT6 1 & Vit 1 | 6J |
| | 517864 | GT6 2 & Vit 2 | 6AC |
| | 520013 | GT6 3 → ④ | B5BT |
| | 520449 | GT6 3 ④ → | B5CF |
| | B24726 | Mixture Tool-CD150/150S | 1 |
| | B20379 | Mixture Tool-CD150SE (Top Adjustment) | 1 |
| 15 | AHTS-03 Alloy Carb Heat Shields-CD150 | | 1pr |

FOOTNOTES

③ → = From (e) HB27986 Vit 6 Stromberg Carbs

→ ④ = Upto (e) KE10000 GT6 3

④ → = From (e) KE10001 GT6

* Items 4,5,7,8 are included in Service & Repair Kits

FUEL - SOLEX CARBS, AIR FILTERS & THROTTLE CHOKE CABLES

SOLEX CARBURETTORS-HERALD & VITESSE 6 → ③ CARBURETTOR SPECIFICATIONS

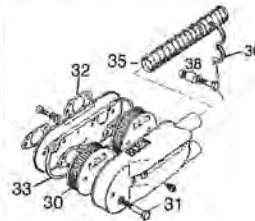
| Model | Carb Type | Stromberg No | |
|--------------------|-----------|--------------|-----|
| Her 948 | B28ZIC-2 | S1911 | 1 |
| Her 1200/1250 | B30PSE1 | S1935/1965 | 1 |
| Vit 6 → (e) HB6798 | B32P1H | S1900/1927 | 1pr |
| Vit 6 (e) HB6799 → | B321H | | 1pr |

| | | | |
|----|--|-----|-----|
| 1 | CARBURETTORS (RECONDITIONED) | | |
| 2 | CARB SERVICE KIT (Diaphragm Kit, Needle Valve & Gaskets) | | 1/2 |
| | ZSK2 Her 1200/1250 | 1 | |
| | ZSK14 Her 948 | 1 | |
| 3 | CARB REPAIR KIT (Service Kit + Jets & Throttle Spindles & Discs) | | |
| | ZRK8 Her 1200/1250 | 1 | |
| 4* | CARB GASKET PACK (All Gaskets, O Ring Seals & Washers) | | |
| | GP72 Her 948 | 1 | |
| | GP223 Her 1200/1250 | 1 | |
| | GP200 Vit 6 | 2 | |
| 5* | CARB NEEDLE VALVE KIT | | |
| | 510744 Her 1200/1250 & Vit 6 | 1/2 | |
| | 57423 Her 948 | 1 | |
| 6* | CARB DIAPHRAGM PACK | | |
| | 510723K Her 1200/1250 | 1 | |
| | 509966K Vit 6 → (e) HB6798E ONLY | 2 | |
| 7* | 502169 Mixture Screw | 1/2 | |

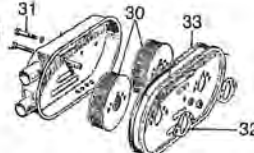
* Items 4,5,6,7 are included in Service & Repair Kits

FOOTNOTES

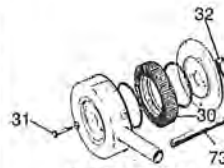
→ ③ = Upto (e) HB27985 Vit 6 Solex Carbs



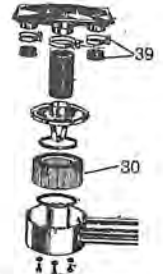
**SPITFIRE
AIR CLEANER**



**GT6/VITESSE
AIR CLEANER**



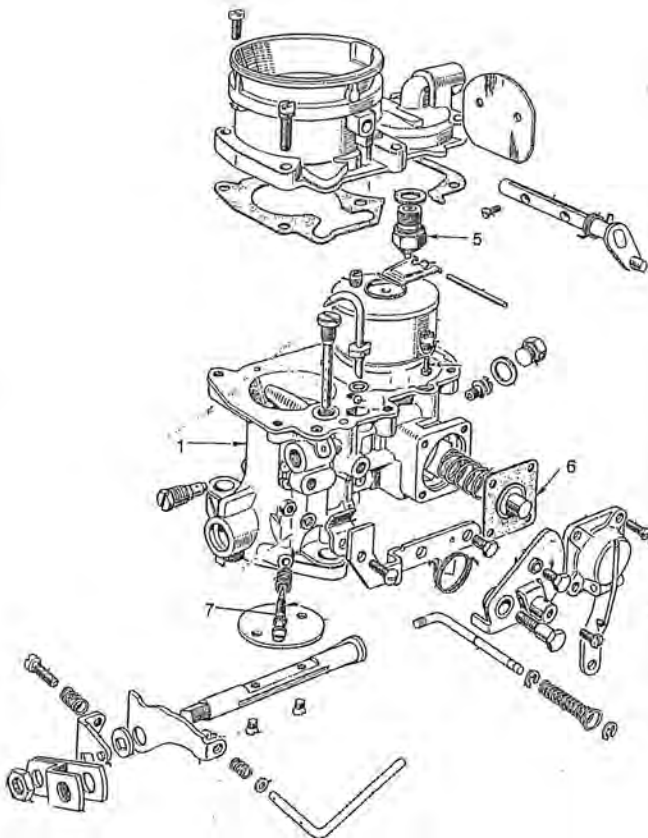
**HERALD 1360
AIR CLEANER**



**VITESSE (SOLEX)
AIR CLEANER**



**HERALD 1200/1250
AIR CLEANER**



| | | | |
|----|---|--|--------------|
| 30 | AIR FILTERS | | |
| | GFE1037 Spit 1/2/3/4 | | 1pr |
| | GFE1063 Spit 1500 | | 1pr |
| | GFE1051 GT6 & Vit 6 ③ → /1/2 | | 1pr |
| | GFE1009 Vit 6 → ③ SOLEX | | 1 |
| | GFE1015 Herald 1200/1360 | | 1 |
| 31 | BOLT-AIR FILTERS TO CARBURETTOR | | |
| | HB867 Spit & GT6 & Vit 6 ③ → /1/2 | | 4 |
| | 517051 Her 1360 | | 2 |
| 32 | GASKET-AIR FILTER TO CARB | | |
| | 130415 Spit 1/2/3/4 | | 4 |
| | 12G2125 Spit 1500 | | 4 |
| | 148006 GT6 & Vit 6 ③ → /1/2 & Her 1360 | | 4/2 |
| 33 | SEAL-AIR FILTER BOX | | |
| | 141648 Spitfire | | 1 |
| | 138311 GT6 & Vit 6 ③ → /1/2 | | 1 Use 141648 |
| 35 | 616012 Air Intake Hose-Split 4/1500 & GT6 | | 2 |
| 36 | 151784 Clip Air Intake Hose-Split 4/1500 | | 1 |
| 37 | HB709 Bolt&Nut-Air Intake Hose Clip | | 1 |
| 38 | 156511 Spacer-Air Intake Hose Clip | | 1 |
| 39 | SEAL & CLIPS AIR CLEANER TO CARB-SOLEX CARBS | | |
| | 115643 Seal-Her 948/1200 | | 1 |
| | 115644 Clip-Her 948/1200 | | 1 |
| | 119331 Seal-Vit 6 → ③ | | 1 |
| | CS4033 Clip-Vit 6 → ③ | | 1 |
| 40 | CHOKE CABLES | | |
| | 156137 Spit 4/1500 | | 1 |
| | 517599C GT6 2/3 | | 1 |
| | CC-RKB Spit 1/2/3 & Vit 6/1 | | 1 |
| | CC-TKB Vit 2 & GT6 1 & Her 1360 | | 1 |
| 41 | AUE34 Pin & Screw-Choke Cable (Spitfire) | | 1 |
| 42 | 516962 Clip-Outer Choke Cable (GT6 & Vit 2) | | 1 |
| 45 | ACCELERATOR CABLES | | |
| | 152677 Her 1200 | | 1 |
| | 148679 Her 1360 | | 1 |
| | 147388 Vit 1/2 | | 1 |
| | 131294/5 Vit 6 ** Where Fitted ** | | 1 |
| | 156342 Spit 4/1500 | | 1 |
| | 156353 GT6 3 | | 1 |
| 46 | 609729 Clip Throttle Cable-Her/Vit | | 1 |
| | 153041 Clip Throttle Cable-Split 4/1500 & GT6 3 | | 1 |
| 47 | THROTTLE RETURN SPRINGS | | |
| | 145197 Spit 3/4/1500 Upper | | 2 |
| | 136835 Spit 1/2 Upper & Vit 1/2 Lower | | 2 |
| | 153959 Spit 1500 Lower | | 1 |
| | 136835 Spit 1/2/3/4 Lower | | 1 |
| | 137842 GT6 1/2 Lower | | 1 |
| | 143747 Spit 4/1500 & GT6 1/2 Lower Link | | 1 |
| | 136979 Spit 1/2/3 Lower Link | | 1 |
| | 147131 Vit 1/2 Lower Link | | 1 |
| | 131368 Herald All Models | | 1 |

FOOTNOTES

③ → = From (e) HB27986

→ ③ = Upto (e) HB27985

Vit 6 Stromberg Carbs

Vit 6 Solex Carbs

FUEL BREATHER HOSES, FUEL PUMPS & FUEL TANK COMPONENTS

BREATHER PIPES-SPIT 3

| | | | |
|----|---------|----------------------------|---|
| 50 | 151444 | Breather Valve | 1 |
| 51 | 27H7758 | Diaphragm-Breather Valve | 1 |
| 52 | 147414 | Hose-Valve to Rocker Cover | 1 |

BREATHER PIPES-SPIT 4

| | | | |
|----|--------|------------------------------|---|
| 53 | 156605 | T Piece | 1 |
| 54 | 216924 | Hose-T Piece to Rocker Cover | 1 |
| 55 | 153138 | Hose-T Piece to Carbs | 2 |

BREATHER PIPES-SPIT 1500

| | | | |
|----|--------|------------------------------|---|
| 56 | 154211 | T Piece | 1 |
| 57 | 154220 | Hose-T Piece to Rocker Cover | 1 |
| 58 | 154935 | Hose-T Piece to Carbs | 2 |
| 59 | 154934 | Adaptor to Carbs | 2 |

BREATHER PIPES-GT6 1/2/3 → ④ & VIT 1/2

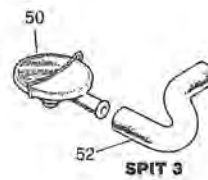
| | | | |
|----|---------|----------------------------|---|
| 60 | 143407 | Breather Valve | 1 |
| 61 | 27H7758 | Diaphragm-Breather Valve | 1 |
| 62 | 143323 | Hose-Valve to Rocker Cover | 1 |
| 63 | 143706 | Hose-Valve to Manifold | 1 |
| 64 | 138530 | Adaptor to Manifold | 1 |
| 65 | WF513 | Fibre Washer | 1 |
| 66 | CS4012 | Clip-Breather Pipes | 4 |
| 67 | 143313 | Bracket-Breather Valve | 1 |

BREATHER PIPES-GT6 3 ④ →

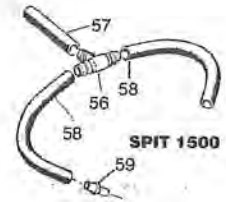
| | | | |
|----|--------|------------------------------|---|
| 68 | 154211 | T Piece | 1 |
| 69 | 154213 | Hose-T Piece to Rocker Cover | 1 |
| 70 | 154216 | Hose-T Piece to Rear Carb | 1 |
| 71 | 152885 | Hose-T Piece to Front Carb | 1 |
| 72 | 154210 | Adaptor to Carb | 2 |

BREATHER PIPES-HERALD 1360

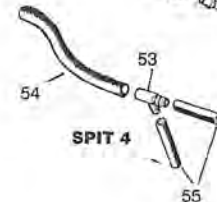
| | | | |
|----|--------|---------------------------------|---|
| 73 | 142990 | Hose-Air Filter to Rocker Cover | 1 |
|----|--------|---------------------------------|---|



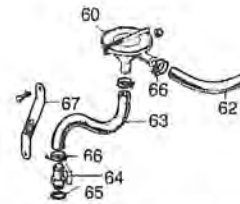
SPIT 3



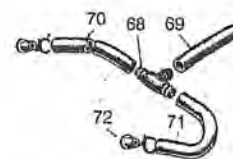
SPIT 1500



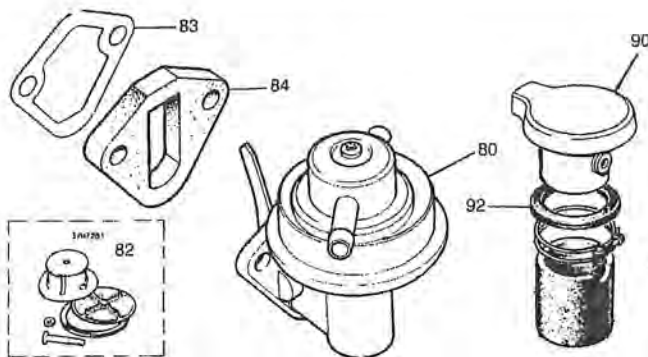
SPIT 4



GT6 1/2/3 → ④ & VIT 1/2



GT6 3 ④ →



FUEL PUMPS (REPRO EXCEPT WHERE STATED)

| | | | |
|----|----------|---------------------------------|---|
| 80 | 208493R | Spit 1/2/3/4 → ⑤ (Screw Unions) | 1 |
| | RKC1624R | Spit 4 ⑤ → /1500 → ⑥ | 1 |
| | TKC3417R | Spit 1500 ⑥ → | 1 |
| | TKC3417 | Spit 1500 ⑥ → (OE) | 1 |
| | 206623R | GT6 1 → ⑦ & Vit 5/1 → ⑦ | 1 |
| | 213577R | GT6 1 ⑦ → /2/3 & Vit 1 (7) → /2 | 1 |

FUEL PUMP REPAIR KIT **OE AC Delco Pumps Only**

| | | | |
|----|---------|--|---|
| 81 | 506423 | Spit 1/2/3/4 → ⑤ (Screw Unions) | 1 |
| | AEU2760 | GT6 & Vitesse | 1 |
| | 37H7281 | Filter Kit-Spit 4/1500 *OE Pumps Only* | 1 |

GASKET-FUEL PUMP TO BLOCK

| | | | |
|----|----------|------------------------------|---|
| 82 | 138791 | Spit 4/1500 & GT6 & Vitesse | 1 |
| | 138591 | Spit 1/2/3 & Herald | 1 |
| 84 | UKC8523 | Spacer Block-Spit 1500 ⑥ → | 1 |
| 85 | TE605141 | Stud Fuel Pump-Spit 1500 ⑥ → | 2 |

FUEL FILLER CAPS

| | | | |
|----|---|-----------------------------------|---|
| 90 | 725117 | Spit 4/1500 (Flip Top) | 1 |
| | 725117LK | Locking Flip Top Filler Cap | 1 |
| | ** Suitable for All Spitfire & GT6 1/2 ** | | |
| | 613506 | Spit 1/2/3 & GT6 1/2 (Flip Top) | 1 |
| | 601761 | Herald & Vitesse (Std Chrome) | 1 |
| | 603146 | Herald & Vitesse (Chrome Locking) | 1 |
| | GSS193A | Herald & Vitesse (Black Locking) | 1 |
| | 718750 | GT6 3 | 1 |

INTERNAL SEAL-FUEL FILLER CAP

| | | | |
|----|--------|-------------|---|
| 91 | 725220 | Spit 4/1500 | 1 |
| | 725414 | GT6 3 | 1 |

GROMMET-FUEL FILLER NECK

| | | | |
|----|--------|------------------------------------|---|
| 92 | 650247 | Spitfire | 1 |
| | 601661 | Herald & Vitesse | 1 |
| 93 | 519352 | Barrel & Key-GT6 3 Fuel Filler Cap | 1 |

FUEL TANK SENDER UNITS

| | | | |
|-----|---------|---|---|
| 100 | TKC2053 | Spitfire *Lock Ring* | 1 |
| | 307474 | GT6 *Lock Ring* | 1 |
| | 215846 | Her 1360 & Vit 2 *Lock Ring* | 1 |
| | 205303 | Her 948/1200 → ⑧ & Vit 6 *Screw* (No Voltage Stabilizer) | 1 |
| | 213411 | Her 1200 ③ → /1360 & Vit 1/2 *Screw* (Cars with Voltage Stabilizer) | 1 |

| | | | |
|------|---------|--|---|
| 101* | ARA1501 | Lock Ring-Tank Sender Unit | 1 |
| 102* | ARA1502 | Seal-Tank Sender Unit | 1 |
| 103* | 110777 | Seal-Screw Type Tank Sender Unit | 1 |
| 104 | TR6503W | Screw & Washer-Tank Sender Unit | 6 |
| 105 | 123286 | Cover Tank Sender Unit-Her/Vit | 1 |
| 106 | 608052 | Seal Fuel Tank Drain Plug-Her/Vit | 1 |
| 107 | 125061 | Sticker Fuel Tank Instructions-Her/Vit | 1 |

* Items 101,102,103 are supplied with Fuel Tank Sender Units

FUEL PIPE KITS COMPLETE (TANK TO CARBS)

| | | | |
|-----|--------|-------------------------------------|---|
| 110 | FFK008 | Spit 4 → ⑤ *Screw Fuel Pump Unions* | 1 |
| | FFK009 | Spit 1/2/3 | 1 |
| | FFK010 | GT6 1/2/3 | 1 |
| | FFK012 | Vit 1/2 (Vit 6 Stromberg Only) | 1 |
| | FFK013 | Spit 4 ⑤ → /1500 | 1 |
| | FFK014 | Herald 1360 | 1 |
| | FFK015 | Herald 1200 | 1 |

FUEL PIPE COMPONENTS

| | | | |
|-----|--------|--------------------------------------|-----|
| 120 | HU48 | Fuel Pipe Nut-1/4" OD Fuel Pipe | A/R |
| 121 | HU50 | Olive-1/4" OD Fuel Pipe | A/R |
| 122 | FP14 | Fuel Flexi Pipe-1/4" ID (Per Metre) | A/R |
| 123 | FPC14 | Clip-1/4" ID Flexi Fuel Pipe | A/R |
| 124 | HU18 | Fuel Pipe Nut-5/16" OD Fuel Pipe | A/R |
| 125 | HU51 | Olive-5/16" OD Fuel Pipe | A/R |
| 126 | FP516 | Fuel Flexi Pipe-5/16" ID (Per Metre) | A/R |
| 127 | FPC516 | Clip-5/16" ID Flexi Fuel Pipe | A/R |

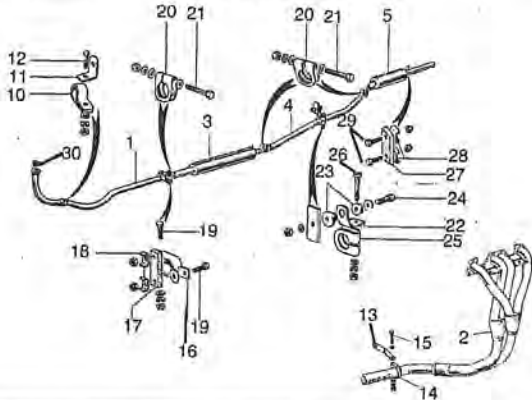
FOOTNOTES

| | | |
|-------|-------------------|--------------------------------------|
| → ④ = | Upto (e) KE10000 | GT6 3 |
| ④ → = | From (e) KE10001 | GT6 3 |
| → ⑤ = | Upto (c) FH50000 | Spit 4 Fuel Pump with Screw Unions |
| ⑤ → = | From (c) FH50001 | Spit 4 Fuel Pump with Push on Unions |
| → ⑥ = | Upto (e) FM93156E | Spit 1500 Pump with No Spacer Block |
| ⑥ → = | From (e) FM93157E | Spit 1500 Pump with Spacer Block |
| → ⑦ = | Upto (e) KC5000 | GT6 1 & HC4500 Vit 1 |
| ⑦ → = | From (e) KC5001 | GT6 1-& HC4501 Vit 1 |
| → ⑧ = | Upto (c) GA211771 | Saloon/Coupe & GA212369 Convertible |
| ⑧ → = | From (c) GA211772 | Saloon/Coupe & GA212370 Convertible |

EXHAUSTS - SPITFIRE & GT6

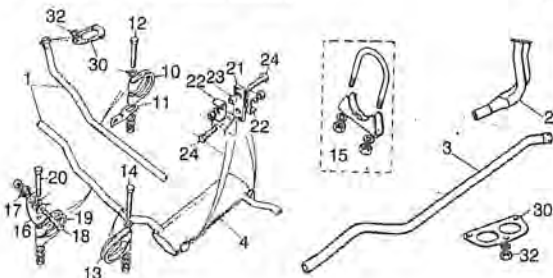
SPIT 1/2

| | | | |
|----|-------------------------------------|-------------------------------------|-----|
| 1 | GEX1250 | Downpipe-Spit 1 | 1 |
| 2 | 307270 | Tubular Manifold-Spit 2 | 1 |
| 3 | GEX3199 | Centre Silencer | 1 |
| 4 | GEX1251 | Centre Pipe | 1 |
| 5 | GEX3200 | Box & Tail | 1 |
| | SSEX006 | S/Steel Exhaust System-Spit 1 | 1 |
| | SSEX005 | S/Steel Exhaust System-Spit 2 | 1 |
| | ** Tubular Manifold not supplied ** | | |
| 10 | 136558 | Clip Downpipe-Spit 1 | 1 |
| 11 | 134345 | Bracket to Rear Engine Plate-Spit 1 | 1 |
| 12 | HB809C | Bolt & Nut & Washers-Spit 1 | 1 |
| 13 | 143521 | Bracket to G/Box Extension-Spit 2 | 1 |
| 14 | GEX7512 | D Clip (1.3/8")-Spit 2 | 1 |
| 15 | HB819C | Bolt & Nut & Washers-Spit 2 | 1 |
| 16 | 134854 | Clip & Bracket-Spit 1 → ② | 1 |
| 17 | GEX7044 | Flexi Mounting-Spit 1 → ② | 1 |
| 18 | GEX7510 | Mounting Plate-Spit 1 → ② | 2 |
| 19 | HB809C | Set Bolt & Nut & Washers-Spit 1 → ② | 3 |
| 20 | GEX7504 | D Clip (1.1/2") | 2/3 |
| 21 | HB819C | Bolt & Nut & Washers | 2/3 |
| 22 | GEX7496 | Bracket to Diff Plate-Spit 1 ② → | 1 |
| 23 | GEX7329/30 | Grommet Inner & Outer-Spit 1 ② → | 1pr |
| 24 | HB810C | Bolt & Nut & Washers-Spit 1 ② → | 1 |
| 25 | GEX7512 | D Clip (1.3/8")-Spit 1 ② → | 1 |
| 26 | HB819C | Bolt & Nut & Washers-Spit 1 ② → | 1 |
| 27 | GEX7359 | Flexi Mounting-Box & Tail | 1 |
| | 155249 | Distance Piece-Flexi Mounting | 2 |
| 28 | GEX7510 | Mounting Plate | 2 |
| 29 | HU808C | Set Bolt & Nut & Washers | 2 |



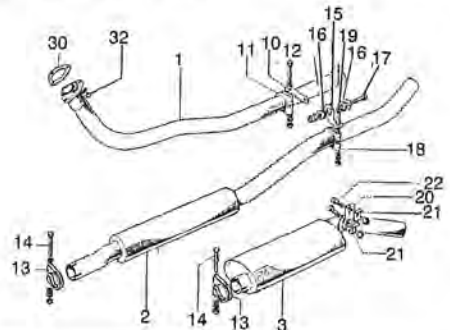
SPIT 4/1500

| | | | |
|----|------------|--------------------------------------|-----|
| 1 | GEX1439 | Downpipe-Spit 4 | 1 |
| 2 | GEX1620 | Downpipe-Spit 1500 | 1 |
| 3 | GEX1621 | Centre Pipe-Spit 1500 | 1 |
| 4 | GEX3668 | Box & Tail | 1 |
| | SSEX001 | S/Steel Exhaust System-Spit 4 | 1 |
| | SSEX002 | S/Steel Exhaust System-Spit 1500 | 1 |
| 10 | GEX7511 | Bracket to G/Box Extension-Spit 4 | 1 |
| | GEX7459 | Bracket to G/Box Extension-Spit 1500 | 1 |
| 11 | GEX7509 | D Clip (1.5/8") | 1 |
| 12 | HB821C | Bolt & Nut & Washers | 1 |
| 13 | GEX7506 | D Clip (1.3/4") | 1/2 |
| 14 | HB822C | Bolt & Nut & Washers | 1/2 |
| 15 | GEX9007 | Exhaust Clamp (1.3/4") ALTERNATIVE | 1/2 |
| 16 | GEX7496 | Bracket to Diff Plate | 1 |
| 17 | GEX7329/30 | Grommet Inner & Outer | 1pr |
| 18 | HB810C | Bolt & Nut & Washers (incl WP17) | 1 |
| 19 | GEX7509 | D Clip (1.5/8") | 1 |
| 20 | HB820C | Bolt & Nut & Washers | 1 |
| 21 | GEX7359 | Flexi Mounting | 2 |
| 22 | GEX7510 | Mounting Plate | 4 |
| 23 | 155249 | Distance Piece | 4 |
| 24 | HU808C | Bolt & Nut & Washers | 4 |



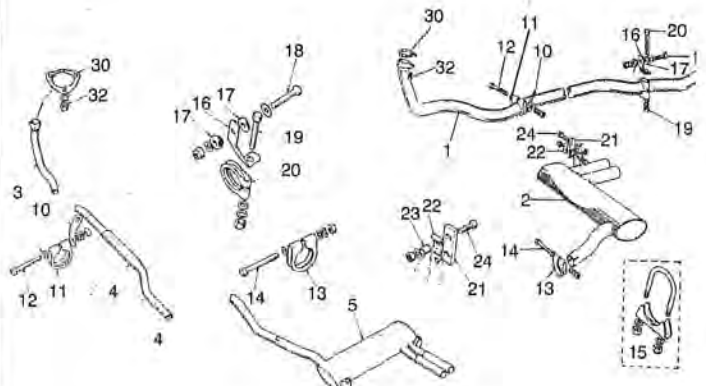
SPIT 3 & GT6 1

| | | | |
|----|------------|-----------------------------------|-----|
| 1 | GEX1252 | Downpipe-Spit 3 | 1 |
| | GEX1266 | Downpipe-GT6 1 | 1 |
| 2 | GEX6039 | Centre Silencer | 1 |
| 3 | GEX3482 | Box & Tail-Spit 3 | 1 |
| | GEX3216 | Box & Tail-GT6 1 | 1 |
| | SSEX004 | S/Steel Exhaust System-Spit 3 | 1 |
| | SSEX008 | S/Steel Exhaust System-GT6 1 | 1 |
| 10 | GEX7511 | Bracket to G/Box Extension-Spit 3 | 1 |
| | 146163 | Bracket to G/Box Extension-GT6 1 | 1 |
| 11 | GEX7509 | D Clip (1.5/8") | 1 |
| 12 | HB821C | Bolt & Nut & Washers | 1 |
| 13 | GEX7506 | D Clip (1.3/4") | 2 |
| 14 | HB822C | Bolt & Nut & Washers | 2 |
| 15 | GEX7496 | Bracket to Diff Plate | 1 |
| 16 | GEX7329/30 | Grommet Inner & Outer | 1pr |
| 17 | HB810C | Bolt & Nut & Washers (incl WP17) | 1 |
| 18 | GEX7509 | D Clip (1.5/8") | 1 |
| 19 | HB820C | Bolt & Nut & Washers | 1 |
| 20 | GEX7359 | Flexi Mounting-Box & Tail | 1 |
| | 155249 | Distance Piece-Flexi Mounting | 2 |
| 21 | GEX7510 | Mounting Plate | 2 |
| 22 | HU808C | Set Bolt & Nut & Washers | 2 |



GT6 2/3

| | | | |
|----|------------|----------------------------------|-----------------|
| 1 | GEX1480 | Downpipe-GT6 2 | 1 |
| 2 | GEX3403 | Box & Tail-GT6 2 | 1 |
| 3 | GEX1440 | Downpipe-GT6 3 | 1 |
| 4 | GEX1441 | Centre Silencer-GT6 3 | 1 |
| 5 | GEX3373 | Box & Tail-GT6 3 | 1 |
| | SSEX007 | S/Steel Exhaust System-GT6 2 | 1 |
| | SSEX003 | S/Steel Exhaust System-GT6 3 | 1 |
| 10 | 151343 | Bracket to G/Box Extension | 1 |
| 11 | GEX7499 | D Clip (1.7/8") | 1 |
| 12 | HB823C | Bolt & Nut & Washers | 1 |
| 13 | GEX7500 | D Clip (2") | 1/2 use GEX9009 |
| 14 | HB823C | Bolt & Nut & Washers | 1/2 |
| 15 | GEX9009 | Exhaust Clamp (2") ALTERNATIVE | 1/2 |
| 16 | GEX7496 | Bracket to Diff Plate-GT6 2 | 1 |
| | 156660 | Bracket to Diff Plate-GT6 3 | 1 |
| 17 | GEX7329/30 | Grommet Inner & Outer | 1pr |
| 18 | HB810C | Bolt & Nut & Washers (incl WP17) | 1 |
| 19 | GEX7499 | D Clip (1.7/8") | 1 |
| 20 | HB822C | Bolt & Nut & Washers | 1 |
| 21 | GEX7359 | Flexi Mounting-GT6 3 | 2 |
| 22 | GEX7510 | Mounting Plate | 4 |
| 23 | 155249 | Distance Piece | 4 |
| 24 | HU808C | Bolt & Nut & Washers | 4 |



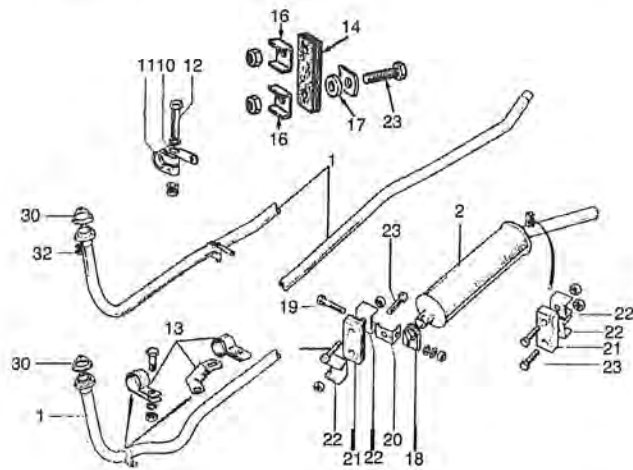
FOOTNOTES

- ② = Upto (c) FC28018 Spit 1
- ② -- = From (c) FC28017 Spit 1/2

EXHAUSTS - HERALD & VITESSE

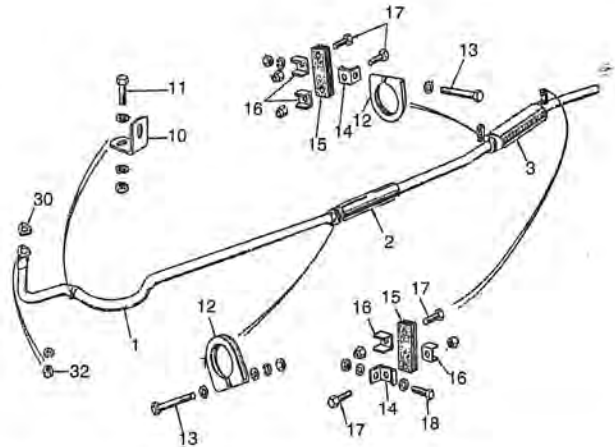
HERALD 1200 ① → /1360 & VIT 6

| | | | |
|----|----------|---------------------------------------|---|
| 1 | GEX1248 | Downpipe-Her 1200 ① → | 1 |
| | GEX1249 | Downpipe-Her 1250 | 1 |
| | GEX1428 | Downpipe-Her 1360 | 1 |
| | GEX1253 | Downpipe-Vit 6 | 1 |
| 2 | GEX3198 | Box & Tail-Her | 1 |
| | GEX3202 | Box & Tail-Vit 6 | 1 |
| | SSEX012 | S/Steel Exhaust System-Her 1200 ① → | 1 |
| | SSEX011 | S/Steel Exhaust System-Her 1250 | 1 |
| | SSEX010 | S/Steel Exhaust System-Her 1360 | 1 |
| | SSEX013 | S/Steel Exhaust System-Vit 6 | 1 |
| 10 | GEX7511 | Bracket to G/Box Extension-Her 1360 | 1 |
| 11 | GEX7512 | D Clip (1.3/8")-Her 1360 | 1 |
| 12 | HB818C | Bolt & Nut & Washers-Her 1360 | 1 |
| 13 | 122133/4 | Bracket & Clip-D/Pipe to Engine-1200 | 1 |
| | 134345 | Bracket & Clip-D/Pipe to Engine-Vit 6 | 1 |
| 14 | GEX7359 | Flexi Mounting-Vit 6 | 1 |
| 15 | HU809C | Bolt & Nut & Washers-Vit 6 | 2 |
| 16 | GEX7510 | Mounting Plate-Vit 6 | 2 |
| 17 | 134416 | Insulation Pad-Vit 6 | 1 |
| 18 | GEX7512 | D Clip (1.3/8")-Herald | 1 |
| | GEX7506 | D Clip (1.3/4")-Vit 6 | 1 |
| 19 | HB818C | Bolt & Nut & Washers-Herald | 1 |
| | HB822C | Bot & Nut & Washers-Vit 6 | 1 |
| 20 | 105578 | Angle Bracket | 1 |
| 21 | GEX7044 | Flexi Mounting-Her 1360 & Vit 6 | 2 |
| | GEX7044 | Flexi Mounting Front-Her 1200 | 1 |
| | GEX7039 | Flexi Mounting Rear-Her 1200 | 1 |
| 22 | GEX7510 | Mounting Plate | 4 |
| 23 | HU808C | Bolt & Nut & Washers | 4 |



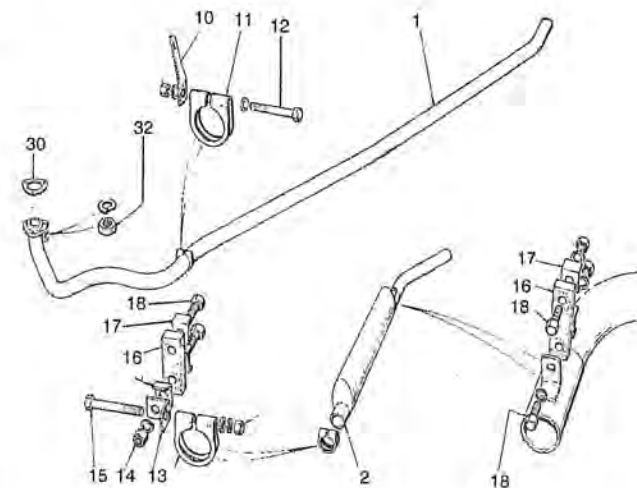
VITESSE 2.0L MK1

| | | | |
|----|---------|---|---|
| 1 | GEX1265 | Downpipe | 1 |
| 2 | GEX3214 | Centre Silencer | 1 |
| 3 | GEX3215 | Box & Tail | 1 |
| | SSEX014 | S/Steel Exhaust System-Vit 1 | 1 |
| 10 | 134345 | Bracket to Engine Backplate → ③ | 1 |
| | GEX7509 | D Clip (1.5/8") Downpipe ③ → | 1 |
| | 146163 | Bracket to Engine Backplate ③ → | 1 |
| 11 | HB809C | Bolt & Nut & Washers → ③ | 1 |
| | HB821C | Bolt & Nut & Washers ③ → | 1 |
| 12 | GEX7506 | D Clip (1.3/4") | 2 |
| 13 | HB822C | Bolt & Nut & Washers | 2 |
| 14 | 105578 | Angle Bracket | 2 |
| 15 | GEX7359 | Flexi Mounting-Front | 1 |
| | GEX7039 | Flexi Mounting-Rear | 1 |
| 16 | GEX7510 | Mounting Plate | 4 |
| 17 | HU808C | Bolt & Nut & Washers | 4 |
| 18 | HU805C | Bolt & Nut & Washers-Rear Angle Bracket | 1 |



VITESSE MK2

| | | | |
|----|---------|------------------------------|---|
| 1 | GEX1472 | Downpipe | 1 |
| 2 | GEX3394 | Box & Tail | 1 |
| | SSEX015 | S/Steel Exhaust System-Vit 2 | 1 |
| 10 | 151343 | Bracket to G/Box Extension | 1 |
| 11 | GEX7499 | D Clip (1.7/8") | 1 |
| 12 | HB822C | Bolt & Nut & Washers | 1 |
| 13 | GEX7500 | D Clip (2") | 1 |
| 14 | 105578 | Angle Bracket | 1 |
| 15 | HB823C | Bolt & Nut & Washers | 1 |
| 16 | GEX7359 | Flexi Mounting-Front | 1 |
| | GEX7039 | Flexi Mounting-Rear | 1 |
| 17 | GEX7510 | Mounting Plate | 4 |
| 18 | HU808C | Bolt & Nut & Washers | 4 |



HER 948/1200 → ①

Please enquire we should be able to obtain to Order

| | | | |
|----|--|---------------------------------------|---|
| 30 | GASKET DOWNPIPE | | |
| | GEG702 | Spit 1 & Her 1250 | 1 |
| | GEG717 | Her 1200 | 1 |
| | GEG701 | Spit 3/4 & Her 1360 & GT6 1 & Vit 6/1 | 1 |
| | GEG739 | Spit 1500 | 1 |
| | GEG718 | GT6 2/3 & Vit 2 | 1 |
| 31 | STUD-EXHAUST MANIFOLD TO DOWNPIPE | | |
| | 101962 | Spit & Her & Vit 6/1 & GT6 1 | 3 |
| | 115896 | GT6 2/3 & Vit 2 | 3 |
| 32 | NUT & WASHER-EXHAUST MANIFOLD TO DOWNPIPE | | |
| | 515369W | Spit & Her & Vit 6/1 & GT6 1 | 3 |
| | 108951W | GT6 2/3 & Vit 2 | 3 |

FOOTNOTES

- ① = Upto (c) GA80000 Her 1200 Mk1
- ① → = From (c) GA80001 Her 1200 Mk2
- ② = Upto (c) FC28019 Spit 1
- ② → = From (c) FC28017 Spit 1/2
- ③ = Upto (c) HC8722 Vit 1
- ③ → = From (c) HC8723 Vit 1

FRONT SUSPENSION

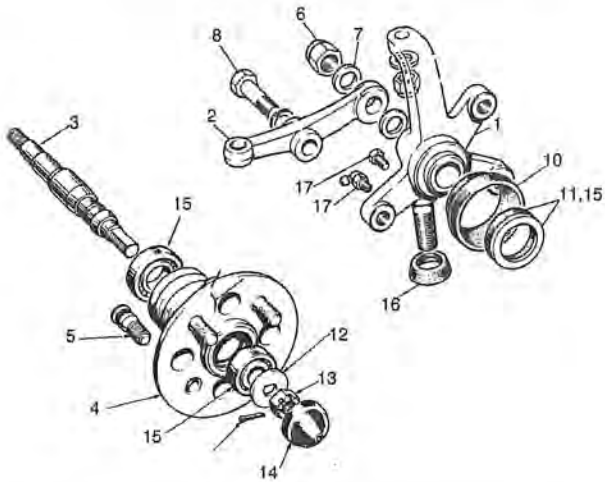


DIAGRAM 1

SPIT 1 ① →/2/3/4/1500 & HER 1200(DISC) ② →/1360

| | | | |
|----|---------|------------------------------------|---|
| 1 | GSJ265 | Vertical Link RH | 1 |
| | GSJ266 | Vertical Link LH | 1 |
| 2 | 211048 | Steering Arm RH | 1 |
| | 211049 | Steering Arm LH | 1 |
| 3 | UKC697 | Stub Axle | 2 |
| 4 | 146479 | Front Hub (includes Stud) | 2 |
| 5 | 158729 | Wheel Stud | 8 |
| 6 | YN2911 | Nyloc Nut 1/2" UNF | 2 |
| 7 | WP11 | Plain Washer 1/2" | 2 |
| 8 | 159514W | Bolt & Washer-Steering Arm | 2 |
| 10 | 138559 | Water Shield | 2 |
| 11 | GHS146 | Felt Seal & Retainer | 2 |
| 12 | 102690 | D Washer | 2 |
| 13 | LN2211 | Castle Nut | 2 |
| | PC20 | Split Pin | 2 |
| 14 | 102689 | Grease Cap | 2 |
| 15 | BK51 | Wheel Bearing Kit-Frt | 2 |
| 16 | 122126 | Seal-Trunnion to V/Link | 2 |
| 17 | 129242 | Oil Plug | 2 |
| | 500098 | Oil Nipple (Alternative to 129242) | 2 |

DIAGRAM 2

GT6 & VITESSE ALL MODELS

| | | | |
|----|---------|------------------------------------|---|
| 1 | GSJ264 | Vertical Link LH | 1 |
| | GSJ267 | Vertical Link RH | 1 |
| 2 | 205504 | Steering Arm RH | 1 |
| | 205505 | Steering Arm LH | 1 |
| 3 | 132065 | Stub Axle | 2 |
| 4 | 145007 | Front Hub (includes Stud) | 2 |
| 5 | 158729 | Wheel Stud | 8 |
| 6 | YN2912 | Nyloc Nut 9/16" UNF | 2 |
| 7 | WP12 | Plain Washer 9/16" | 2 |
| 8A | 123312C | Bolt & Nut-Steering Arm | 2 |
| 8B | HB910W | Bolt & Washer-Steering Arm | 2 |
| 8C | HU805W | Set Bolt & Washer-Caliper Ring | 4 |
| 10 | 138559 | Water Shield | 2 |
| 11 | GHS146 | Hub Seal & Retainer | 2 |
| 12 | 132666 | D Washer | 2 |
| 13 | LN2211 | Castle Nut | 2 |
| | PC20 | Split Pin | 2 |
| 14 | 132665 | Grease Cap | 2 |
| 15 | BK54 | Wheel Bearing Kit-Frt | 2 |
| 16 | 122126 | Seal-Trunnion to V/Link | 2 |
| 17 | 129242 | Oil Plug | 2 |
| | 500098 | Oil Nipple (Alternative to 129242) | 2 |
| 18 | 145106 | RH Caliper Ring-GT6 & Vit 1/2 | 1 |
| | 145107 | LH Caliper Ring-GT6 & Vit 1/2 | 1 |
| | 210892 | RH Caliper Ring-Vit 6 | 1 |
| | 210893 | LH Caliper Ring-Vit 6 | 1 |
| 19 | 13805 | Sealing Ring | 2 |

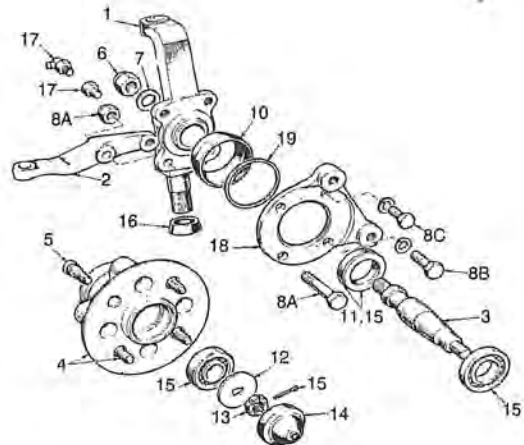
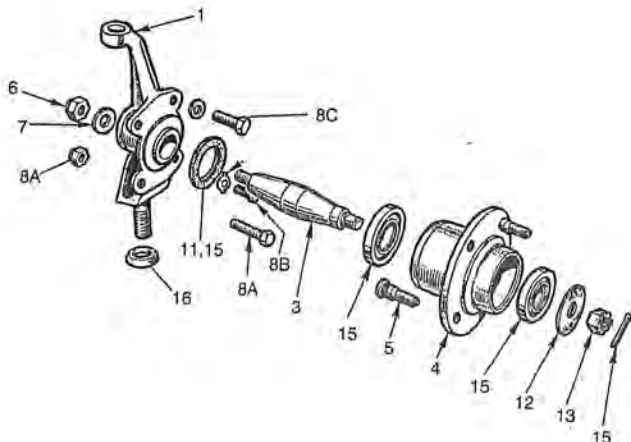


DIAGRAM 3

HERALD 948/1200(DRUM BRAKE)

| | | | |
|----|---------|------------------------------------|---|
| 1 | 209222 | Vertical Link RH | 1 |
| | 209223 | Vertical Link LH | 1 |
| 2 | 205504 | Steering Arm RH | 1 |
| | 205505 | Steering Arm LH | 1 |
| 3 | 104512 | Stub Axle | 1 |
| 4 | 112431 | Front Hub (includes Stud) | 1 |
| 5 | 158729 | Wheel Stud | 8 |
| 6 | YN2911 | Nyloc Nut 1/2" UNF | 2 |
| 7 | WP11 | Plain Washer 1/2" | 2 |
| 8A | 123312C | Bolt & Nut & Washer-Steering Arm | 2 |
| 8B | 122195 | Bolt-Steering Arm | 2 |
| | 106641 | Tab Washer-Steering Arm Bolt | 2 |
| 8C | HU814W | Set Bolt & Washer-Brake B/Plate | 4 |
| 11 | 107194 | Hub Seal & Retainer | 2 |
| | 100868 | Retainer-Hub Seal | 2 |
| | 100867 | Felt Seal Only | 2 |
| 12 | 102690 | D Washer | 2 |
| 13 | LN2211 | Castle Nut | 2 |
| | PC20 | Split Pin | 2 |
| 15 | BK53 | Wheel Bearing Kit | 2 |
| 16 | 122126 | Seal-Trunnion to V/Link | 2 |
| 17 | 129242 | Oil Plug | 2 |
| | 500098 | Oil Nipple (Alternative to 129242) | 2 |



FOOTNOTES

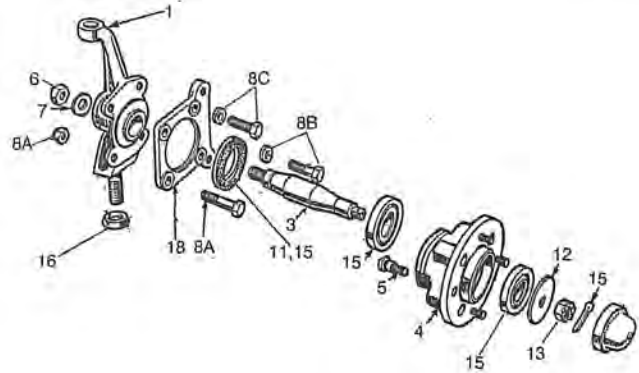
- ① = Upto (c) FC15574 Splitfire 1
- ① → = From (c) FC15575 Splitfire 1
- ② = Upto (c) GA127237 Her 1200
- ② → = From (c) GA127238 Her 1200

FRONT SUSPENSION

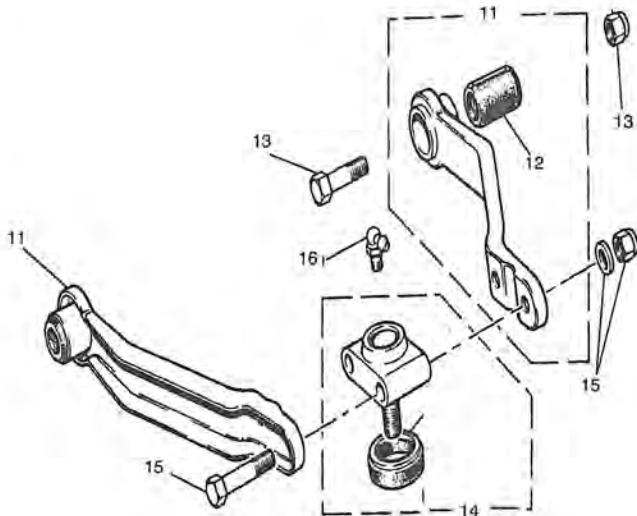
DIAGRAM 4

SPIT 1 → & HERALD 1200(DISC) → ②

| | | | |
|----|---------|------------------------------------|---|
| 1 | 209222 | Vertical Link RH | 1 |
| | 209223 | Vertical Link LH | 1 |
| 2 | 205504 | Steering Arm RH | 1 |
| | 205505 | Steering Arm LH | 1 |
| 3 | 132448 | Stub Axle (104512) | 2 |
| 4 | 132425 | Front Hub (includes Stud) | 2 |
| 5 | 158729 | Wheel Stud | 8 |
| 6 | YN2911 | Nyloc Nut 1/2" UNF | 2 |
| 7 | WP11 | Plain Washer 1/2" | 2 |
| 8A | 123312C | Bolt & Nut & Washer-Steering Arm | 2 |
| 8B | HB910W | Bolt & Washer-Steering Arm | 2 |
| 8C | HU806W | Set Bolt & Washer-Caliper Ring | 4 |
| 10 | 138559 | Water Shield | 2 |
| 11 | 132664 | Hub Seal & Retainer (GH5146) | 2 |
| 12 | 102690 | D Washer | 2 |
| 13 | LN2211 | Castle Nut | 2 |
| | PC20 | Split Pin | 2 |
| 15 | BK51 | Wheel Bearing Kit | 2 |
| 16 | 122126 | Seal-Trunnion to V/Link | 2 |
| 17 | 129242 | Oil Plug | 2 |
| | 500098 | Oil Nipple (Alternative to 129242) | 2 |



| | | | |
|----|--------|---------------------|---|
| 18 | 208716 | Caliper Ring RH → ③ | 1 |
| | 208717 | Caliper Ring LH → ③ | 1 |
| | 210892 | Caliper Ring RH ③ → | 1 |
| | 210893 | Caliper Ring LH ③ → | 1 |
| 19 | 138051 | Sealing Ring | 2 |



| | | | |
|----|---------|------------------------------|-----|
| 1 | 206685 | RH Lower Wishbone Arm | 1 |
| | 206686 | LH Lower Wishbone Arm | 1 |
| 2 | 140919 | Trunnion RH | 1 |
| | 140920 | Trunnion LH | 1 |
| 3 | 514191 | Front Trunnion Service Kit | 2 |
| 4 | HB1020C | Bolt & Nut-Trunnion & Shock | 4 |
| 5 | 119451 | Bush-Lower Wishbone | 4 |
| 6 | HB919C | Bolt & Nut-Lower Wishbone | 4 |
| 7 | 130757 | Front W/Bone to Chassis Brkt | 2 |
| 8 | 130758 | Rear W/Bone to Chassis Brkt | 2 |
| 9 | YN2909W | Nyloc Nut & Washer | 4 |
| 10 | 122022 | Camber Adjustment Shim | A/R |
| 11 | 119272 | Upper Wishbone Arm | 4 |
| 12 | 119451 | Bush-Upper Wishbone | 4 |
| 13 | HB918C | Bolt & Nut-Upper Wishbone | 4 |
| 14 | GSJ155 | Top Ball Joint | 2 |
| 15 | HB818C | Bolt & Nut-Top Ball Joint | 4 |
| 16 | 56934 | Grease Nipple (where fitted) | 2 |

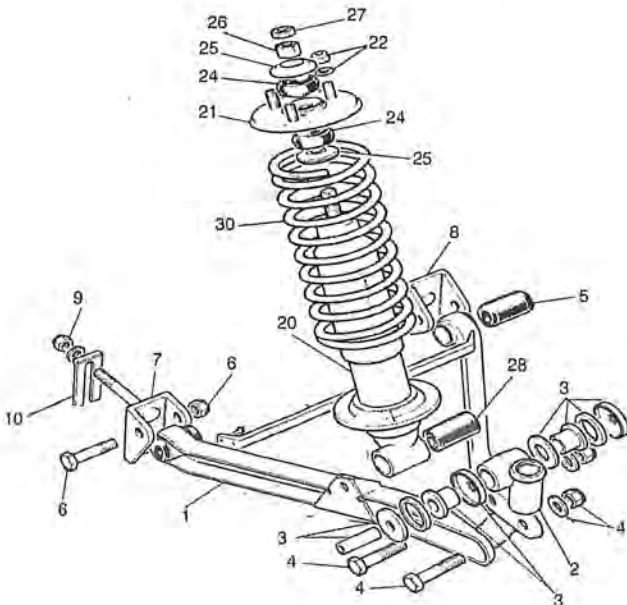
FRONT SHOCK ABSORBERS

(INCLUDES ITEMS 24,25,26,27,28)

| | | | |
|----|---------|------------------------------|-----|
| | GSA364 | Standard-All Models (GSA267) | 1pr |
| | G210S | SPAX Adjustables-All Models | 1pr |
| 21 | 122137 | Top Spring Plate | 2 |
| 22 | YN2907W | Nyloc Nut 1/4" UNF & Washer | 6 |
| 24 | 122324 | Bush-Front Shock Upper | 4 |
| 25 | 147631 | Cup Washer | 4 |
| 26 | HN2008 | Plain Nut 5/16" UNF | 2 |
| 27 | JN2008 | Thin Locknut 5/16" UNF | 2 |
| 28 | 119450 | Bush-Front Shock Lower | 2 |

COIL SPRINGS

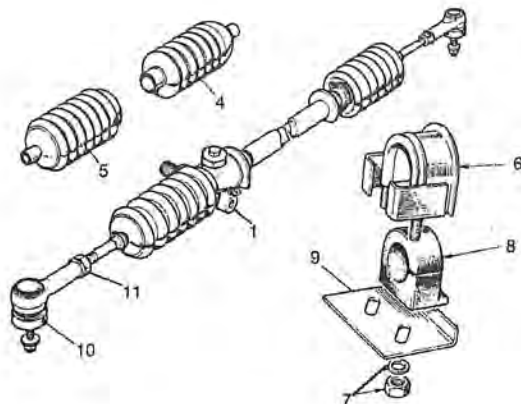
| | | | |
|----|---------|--------------------|-----|
| 30 | 210566 | Split 1/2 | 1pr |
| | 214144 | Split 3/4 | 1pr |
| | TKC1884 | Split 1500 | 1pr |
| | 212425 | GT6 All Models | 1pr |
| | 208056 | Herald All Models | 1pr |
| | 209009 | Vitesse All Models | 1pr |



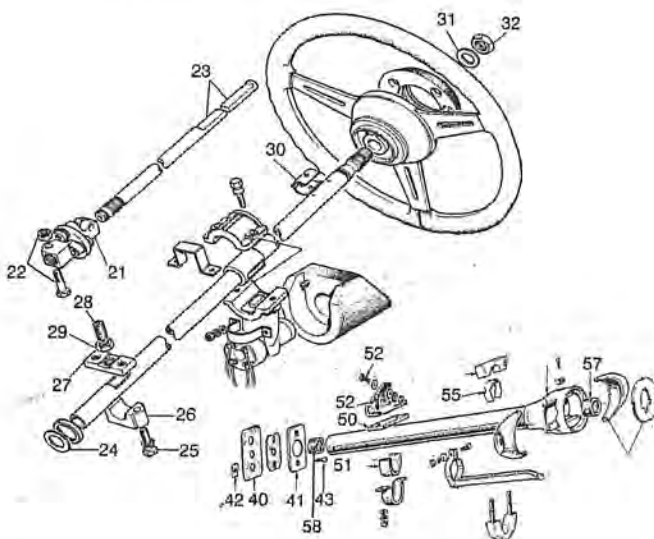
FOOTNOTES

- ① = Upto (c) FC15574 Spillfire 1
- ① → = From (c) FC15575 Spillfire 1
- ② = Upto (c) GA127237 Her 1200
- ② → = From (c) GA127238 Her 1200
- ③ = Upto (c) GA99485 & FC2392
- ③ → = From (c) GA99486 & FC2393

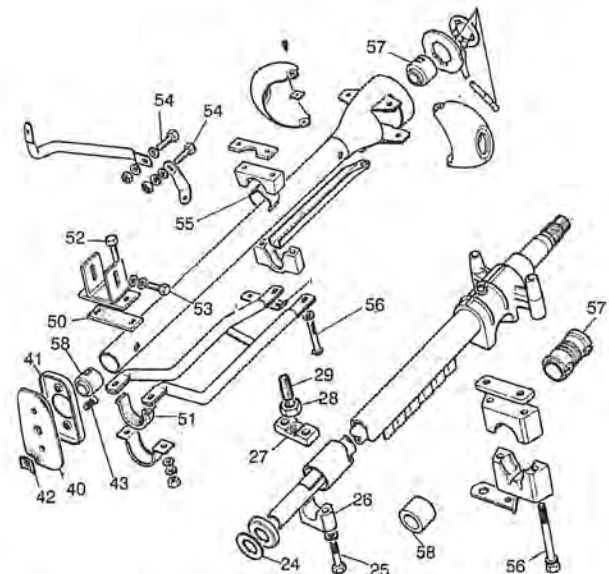
STEERING RACK AND COLUMN



| 1 STEERING RACK (RECONDITIONED) *EXCHANGE* | | |
|---|---|---|
| ** Track Rod Ends not Supplied with Rack ** | | |
| 305932 | Spit & Her ② → & Vit 6 | 1 |
| 307830 | GT6 & Vit 1/2 | 1 |
| 305458 | Her 948/1200 → ② | 1 |
| **Surcharge on Steering Racks | | |
| 2 128002 | Bush-Rack Tube (Passanger Side) | 1 |
| 3 133103 | Blanking Plug (Brass) | 1 |
| 56935 | Grease Nipple-Alternative to 133103 | 1 |
| 4 RTC2218 | Rack Gaitor & Clips-Passanger Side | 1 |
| 5 RTC2219 | Rack Gaitor & Clips-Drivers Side | 1 |
| 6 156024 | Rack Mounting Clamp | 2 |
| 7 YN2908W | Nyloc Nut & Washer | 4 |
| 8 139386 | Bush-Rack Mounting | 2 |
| 8A 156024A | Alloy Rack Mounting Kit (Replaces 139386 & 156024) | 1 |
| 9 133875 | Plate-Rack Mounting Clamp | 2 |
| 10 GSJ158 | Track Rod End | 2 |
| 11 128022 | Locknut-Track Rod End | 2 |



| | | |
|-------------|-----------------------------------|---|
| 21 142140 | Flexi Column Joint | 1 |
| 22 HB810C | Bolt & Nut-Flexi Column Joint | 2 |
| 23 209688 | Lower Column Shaft-Split/GT6 | 1 |
| 205642 | Lower Column Shaft-Her/Vit | 1 |
| 24 122719 | Fibre Washer | 1 |
| 25 HB710W | Bolt & Washer-Column Clamp | 2 |
| 26 122669 | Column Clamp Lower | 1 |
| 27 125782 | Column Clamp Upper | 1 |
| 28 125781 | Locking Screw | 1 |
| 29 JN2110 | Thin Locknut | 1 |
| 30 140549 | Clip-Indicator Cancelling | 1 |
| 31 WP8027 | Washer-Steering Wheel | 1 |
| 32 | NUT-STEERING WHEEL | |
| 105438 | All Spit → ① & GT6 & Her/Vit | 1 |
| 138466 | Spit 1500 ① → | 1 |
| 40 613466 | Sealing Pad to Bulkhead-Split/GT6 | 1 |
| 601958 | Sealing Pad to Bulkhead-Her/Vit | 1 |
| 41 601597 | Plate-Column to Bulkhead | 1 |
| 42 FN2044/9 | Spire Nut (FJ2444) | 2 |
| 43 YF7464 | Screw (AD608041) | 2 |



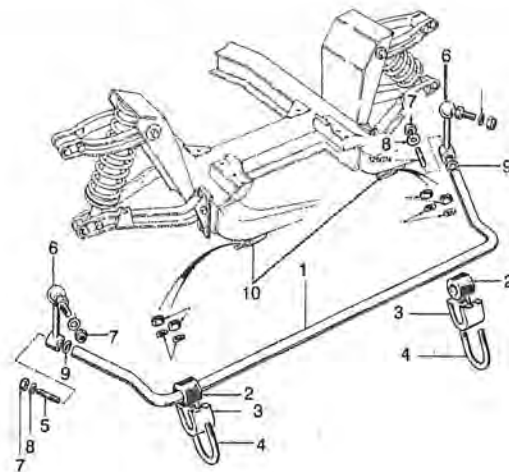
| | | |
|-----------|---|-----|
| 50 608222 | Felt Pad-Upper | 1 |
| 51 608223 | Felt Pad-Lower | 1 |
| 52 HU704C | Set Bolt & Nut & Washer | 2/3 |
| 53 HU705W | Set Bolt & Washer | 2 |
| 54 HU706C | Set Bolt & Nut & Washer | 1 |
| 55 609639 | Spring Clip-Top Column Clamp | 2 |
| 56 | BOLT & WASHER-TOP COLUMN CLAMP | |
| HB719W | GT6 1/2 | 2 |
| 155086W | Spit 4/1500 → ① & GT6 3 | 2 |
| UKC7070 | Shear Bolt-Spit 1500 ① → | 2 |
| 57 | BUSH-TOP STEERING COLUMN | |
| 209423 | All Spit → ① & GT6 & Her/Vit | 1 |
| UKC6088 | Spit 1500 ① → | 1 |
| 58 209423 | Bush-Bottom Steering Column | 1 |
| 70 | REPLACEMENT STEERING WHEEL & BOSS KIT | |
| | -STATE MODEL MOUNTNEY BLACK LEATHER RIM | |
| | ** 13" or 14" diameter & Flat or Semi Dished Style ** | 1 |
| | MOUNTNEY WOOD RIM | |
| | ** 13.5" diameter & Flat or Semi Dished Style ** | 1 |
| | MOTA-LITA BLACK LEATHER RIM | |
| | ** 13" or 14" diameter & Flat or Semi Dished Style ** | 1 |
| | MOTA-LITA WOODRIM | |
| | ** 13" or 14" & Flat or Semi Dished Style ** | 1 |

FOOTNOTES

- ① = Upto (c) FH100020 Spit 1500 Early Style Column
 ① → = From (c) FH100021 Spit 1500 Late Style Column
 →② = Upto (c) GA80000 Herald 1200 Mk1
 ② → = From (c) GA80001 Herald 1200 Mk2

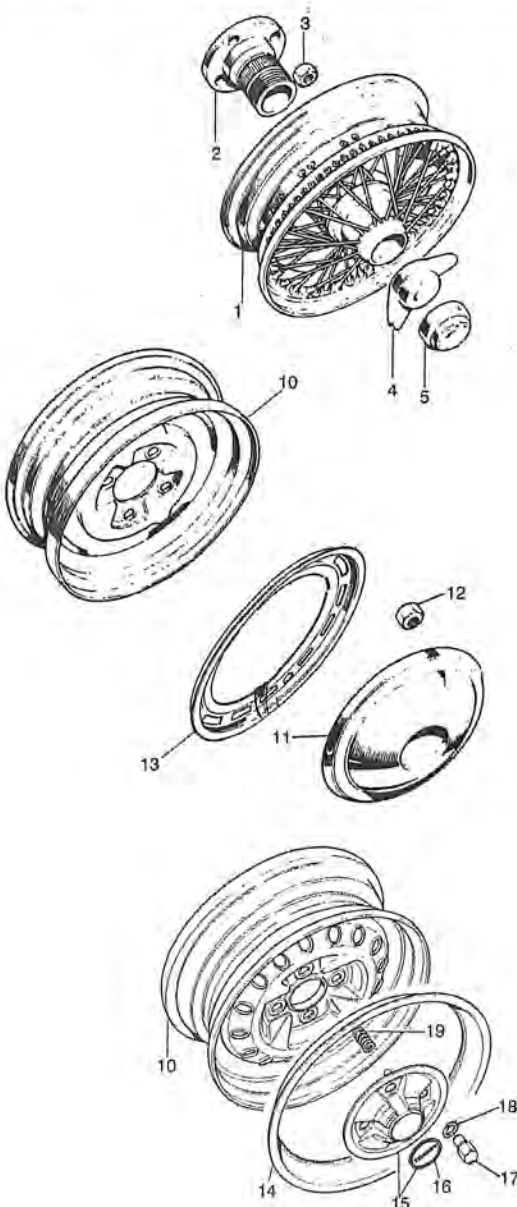
ANTI ROLL BAR & ROAD WHEELS

| | | |
|---|--|---|
| 1 ANTI ROLL BAR | | |
| 207093 | Spit 1/2/3/4 & Her & GT6 1/2/3 → ① & Vit | 1 |
| 217033 | Spit 1500 & GT6 3 ① → | 1 |
| 2 BUSH-ANTI ROLL BAR | | |
| 123998 | Spit 1/2/3/4 & Her & GT6 1/2/3 → ① & Vit | 2 |
| 155310 | Spit 1500 & GT6 3 ① → | 2 |
| 3 CLAMP-ANTI ROLL BAR BUSH | | |
| 123502 | Spit 1/2/3/4 & Her & GT6 1/2/3 → ① & Vit | 2 |
| 155308 | Spit 1500 & GT6 3 ① → | 2 |
| 4 U BOLT-ANTI ROLL BAR CLAMP (INCLUDES NUTS & WASHERS) | | |
| 139126C | Spit 1/2/3/4 & Her & GT6 1/2/3 → ① & Vit | 2 |
| 155307C | Spit 1500 & GT6 3 ① → | 2 |
| 5 | Stud-Anti Roll Bar End | 2 |
| 6 | Anti Roll Bar Link RH | 1 |
| | Anti Roll Bar Link LH | 1 |
| 7 | Nyloc Nut 3/8" UNF | 2 |
| 8 | Plain Washer | 2 |
| 9 | Plain Washer | 2 |
| 10 BRACKET (ON CHASSIS)-ANTI ROLL BAR MOUNTING | | |
| 134580 | Spit 1/2/3/4 & Her & GT6 1/2/3 → ① & Vit | 2 |
| 155309 | Spit 1500 & GT6 3 ① → | 2 |



FOOTNOTES

→ ① = Upto (c) KE20000 GT6 3 Rotollex
 ① → = From (c) KE20001 GT6 3 Non Rotollex



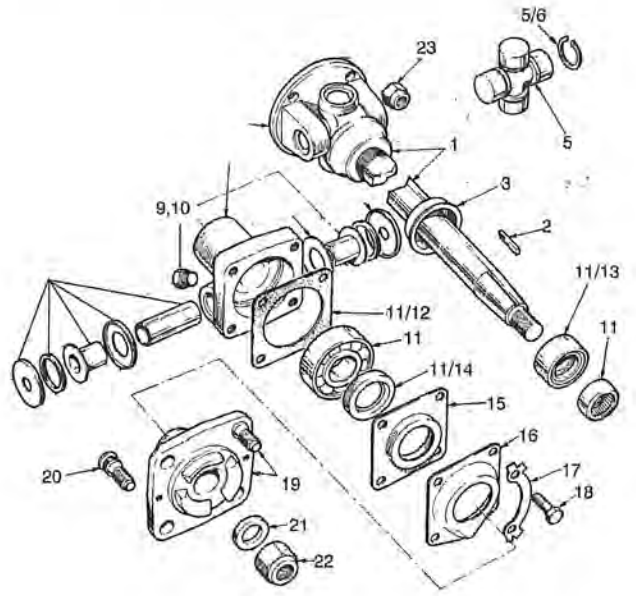
| | | | |
|---------------|--|---|--------|
| WHEELS | | | |
| 1 | WWC466C | Wire Wheel Chrome-4.1/2J x 13" | 5 |
| | WWC466P | Wire Wheel Painted-4.1/2J x 13" | 5 |
| | WWC5729P | Wire Wheel Chrome-5.1/2" x 13" | 5 |
| 2 | 142597 | RH Hub Adaptor for Wire Wheels | 2 |
| | 142598 | LH Hub Adaptor for Wire Wheels | 2 |
| 3 | 144504 | Special Nut-Adaptor to Hub | 16 |
| 4 | 107948 | RH Spinner "Knock On" 2 Earred | 2 |
| | 107949 | LH Spinner "Knock On" 2 Earred | 2 |
| 5 | 121295 | RH Spinner "Export" Octagonal | 2 |
| | 121296 | LH Spinner "Export" Octagonal | 2 |
| 6 | C27290 | Hammer Copper & Hide | 1 |
| | 88G329 | Hammer Lead | 1 |
| 7 | 121297 | Spanner for "Export" Spinners | 1 |
| 8 | WWB001 | Wire Wheel Cleaning Brush | 1 |
| 10 | STEEL DISC WHEELS (RECONDITIONED) | | |
| | 307401E | Spit 1/2/3 → ② & Her 1200/1250/1360 & Vit 6* 3.5D * | 4 |
| | 307405E | Spit 3 ② → & GT6 1/2 & Vit 1/2 & Estate* 4.5J * | 4 |
| | 312046E | Spit 4/1500 → ① & GT6 3 * 4.5J * | 4 |
| | PKC518E | Spit 1500 ① → * 5J * | 4 |
| | | **SURCHARGE on Reconditioned Wheels | 4 |
| 11 | 122806 | Hub Cap-Spit 1/2/3 & Her & GT6 1/2 & Vit | 4 |
| 12 | 113087 | Wheel Nut-Spit 1/2/3 & Her & GT6 1/2 & Vit | 16 |
| 13 | 214492 | Wheel Trim-Her 1360 Sal/Conv (212486) | 4 |
| | 214771 | Wheel Trim-Her 1360 Estate | 4 |
| | 307583 | Wheel Trim-Spit 3 & Vit 6 | 4 |
| | 811419 | Wheel Trim-Vit 1 & GT6 1 | 4 |
| | 811797 | Wheel Trim-Vit 2 & GT6 2 | 4 |
| 14 | SSWT13 | Wheel Trim(S/Steel)-Spit 4/1500>6 3 | 1set 4 |
| 15 | HUB CAPS-SPIT 4/1500 & GT6 3 | | |
| | 716180 | Spit 4 (Black Plastic) | 4 |
| | 716181 | GT6 3 (Chrome Metal) | 4 |
| | YKC1335 | Spit 1500 (Silver Plastic) | 4 |
| 16 | BADGE HUB CAPS-SPIT 4/1500 & GT6 3 | | |
| | 633590 | Spit 4 (SPITFIRE) | 4 |
| | 624632 | GT6 3 (GT6) | 4 |
| | YKC1334 | Spit 1500 (TRIUMPH) | 4 |
| 17 | 155751 | Wheel Nut | 16 |
| | 155751S | Wheel Nut-Stainless Steel | 16 |
| 18 | 155753 | Washer-Hub Cap Retaining | 16 |
| 19 | 628097 | Spring-Hub Cap | 16 |
| 20 | SPECIAL KIT CAR WIRE WHEEL HUB ADAPTORS | | |
| | these fit Spit/Her/GT6/Vit Front & Rear Hubs but accept Long spline MG & TR Wire Wheels. | | |
| | KITHUB-RH | Wire Wheel Hub Adaptor-Long Spline | 2 |
| | KITHUB-LH | Wire Wheel Hub Adaptor-Long Spline | 2 |

FOOTNOTES

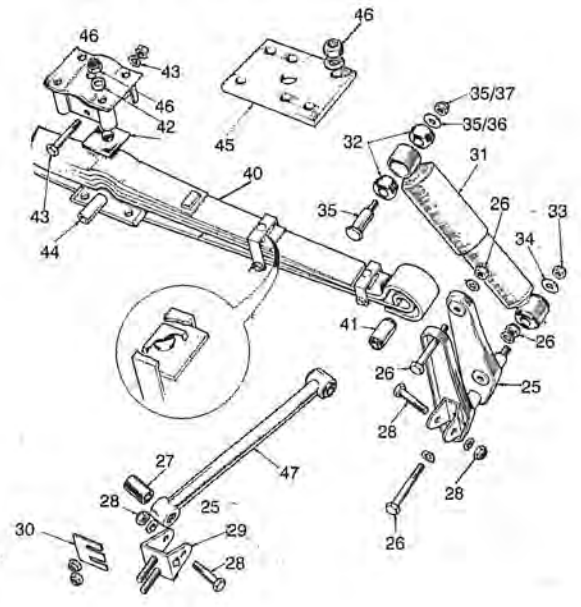
→ ① = Upto (c) FH130000 Spit 1500
 ① → = From (c) FH130001 Spit 1500
 → ② = Upto (c) FD75000 Spit 3
 ② → = From (c) FD75001 Spit 3

REAR SUSPENSION - STANDARD

| | | | |
|---|----------|---|----------|
| 1/2 SHAFT & YOKE ASSEMBLY | | | |
| 1 | 128135 | Spit 1/2/3/4 → ① & GT6 & Herald & Vit 6/1 (SHORT) | 2 60.00 |
| | 155928 | Spit 4 ① → /1500 & GT6 3 ② → (LONG) | 2 60.00 |
| 2 | 104581 | Key-1/2 Shaft | 2 0.95 |
| 3 | 128469 | StoneGaurd-1/2 Shaft | 2 2.00 |
| 1/2 SHAFT FLANGE | | | |
| 4 | 128136 | Spit 1/2/3 & Herald | 2 14.50 |
| | 132328 | Spit 4/1500 & GT6 & Vit | 2 16.00 |
| 5 | GUJ106 | UJ Kit (Sealed) | 2 7.00 |
| | GUJ115 | UJ Kit (Grease Nipple Type) | 2 8.00 |
| 6 | 144101/4 | Circlip-Over-size for UJ's | A/R 0.25 |
| 7 | 204226 | Bearing Housing (NEW) | 2 50.00 |
| 8 | 514370 | Service Kit-Rear Trunnion | 2 3.50 |
| 9 | 56935 | Grease Nipple | 2 0.45 |
| 10 | 122115 | Blanking Plug | 2 0.45 |
| 11 | BK52 | Rear Wheel Bearing Kit | 2 13.00 |
| 12 | GFG117 | Gasket-Bearing Housing | 2 0.50 |
| 13 | 128978 | Oil Seal-1/2 Shaft | 2 4.50 |
| 14 | GHS111 | Oil Seal-Rear Hub | 2 1.25 |
| 15 | 104773 | Housing-Rear Hub Oil Seal | 2 2.50 |
| 16 | 104582 | Oil Catcher | 2 1.65 |
| 17 | 121860 | Tab Washer-Brake Back Plate | 4 0.70 |
| 18 | 121862 | Bolt-Brake Back Plate | 8 0.50 |
| 19 | 131567 | Rear Hub (Including Studs) (FAM2004) | 2 122.00 |
| 20 | 158729 | Wheel Stud | 8 2.25 |
| 21 | 142933 | Washer-Rear Hub | 2 0.25 |
| 22 | 510618 | Nyloc Nut-Rear Hub | 2 0.50 |
| 23 BOLT & NUT-1/2 SHAFT FLANGE TO DIFF | | | |
| | 132023C | Spit 4/1500 & GT6 3 & Vit 6/1 | 8 0.50 |
| | 129361C | Spit 1/2/3 & Herald | 8 0.60 |
| 25 | 132763 | LH Rear Vertical Link | 1 N/A |
| | 132764 | RH Rear Vertical Link | 1 N/A |
| 26 | HB1027C | Bolt & Nut & Washer-Rear Trunnion | 2 0.90 |
| | HB1027C | Bolt & Nut & Washer-Spring Eye | 2 0.90 |
| 27 BUSH-REAR RADIUS ARM | | | |
| | 119451 | Spit & Herald & Vit 6/1 | 4 0.90 |
| | 119451 | GT6 1/3(Non Rotoflex)-Rear | 2 0.90 |
| | 146321 | GT6 1/3(Non Rotoflex)-Front | 2 8.50 |
| 28 | HB918C | Bolt & Nut & Washer-Radius Arms | 4 0.40 |



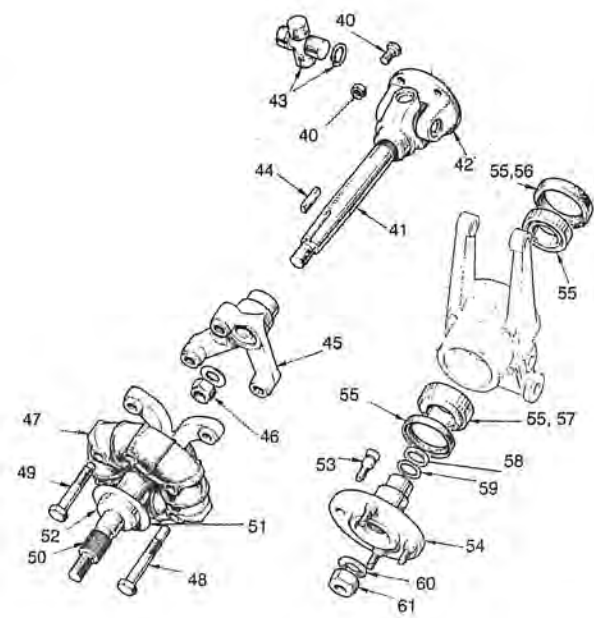
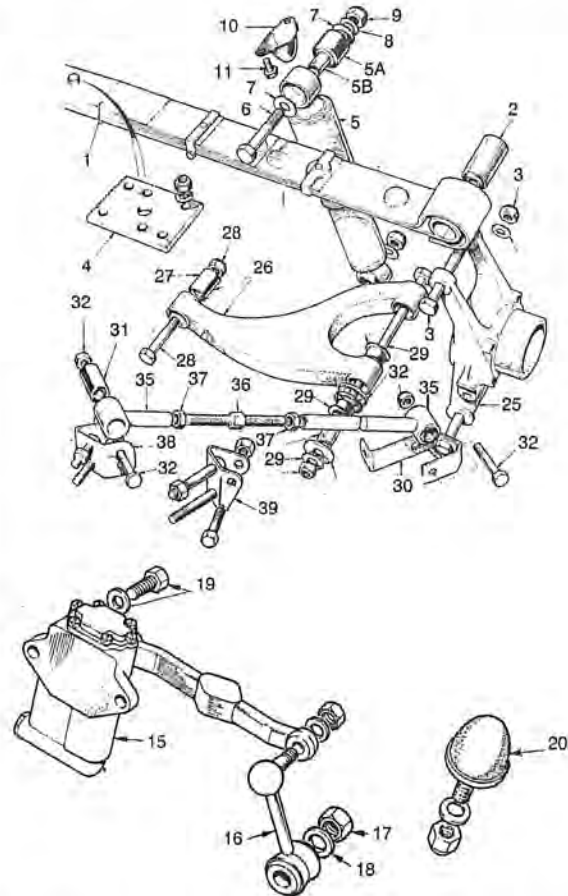
| | | | |
|---|---------|--|---------------|
| 29 RADIUS ARM MOUNTING BRACKETS | | | |
| | 151966 | LH-Spit 1/2/3/4 → ① | 1 |
| | 151967 | RH-Spit 1/2/3/4 → ① | 1 |
| | 159842 | LH-Spit 4 ① → /1500 | 1 |
| | 159843 | RH-Spit 4 ① → /1500 | 1 |
| | 159840 | LH-GT6 3 ② → | 1 |
| | 159841 | RH-GT6 3 ② → | 1 |
| | 146316 | LH-GT6 1 | 1 use 159840 |
| | 146317 | RH-GT6 1 | 1 use 159841 |
| | 120044 | LH-Herald & Vit 6/1 | 1 |
| | 120045 | RH-Herald & Vit 6/1 | 1 |
| | HB926C | Bolt & Nut & Washer-Her & Vit | 4 |
| | YN2909 | Nyloc Nut 3/8"-Spit & GT6 | 4 |
| 30 | 133070 | Shim R/Arm Bracket-Spit & GT6 | A/R |
| | 118825 | Shim R/Arm Bracket-Her & Vit | A/R |
| 31 REAR SHOCK ABSORBERS (INCLUDES ALL BUSHES) | | | |
| | GSA385 | Standard | 1pr |
| | G211 | SPAX Gas Adjustables | 1pr |
| 32 | 102987 | Bush-Rear Shock Absorber | 8 |
| 33 | YN2910 | Nyloc Nut 7/16" UNF | 2 |
| 34 | WM69 | Plain Washer 7/16" | 2 |
| 35 | 118599C | Bolt & Nut-Rear Shock to Chassis | 2 |
| 36 | WP119 | Plain Washer 1/2" | 2 |
| 37 | TN3211 | Thin Nyloc Nut 1/2" UNF | 2 |
| 40 REAR LEAF SPRING (INCLUDES SPRING EYE BUSHES) | | | |
| | 305894 | Spit 1/2/3 | 1 |
| | 159640R | Spit 4/1500 (REPRODUCTION) | 1 |
| | 159640 | Spit 4/1500 (OE) | 1 |
| | 159654 | GT6 3 ② → (Non Rotoflex) | 1 use 159640R |
| | 307324 | GT6 1 | 1 |
| | 303727 | Herald & Vitessse-Saloon & Conv | 1 |
| | 304860 | Herald & Vitessse-Estate | 1 |
| 41 | 117575 | Bush-Spring Eye | 2 |
| 42 | 149191 | Pad Pivot Box-Spit4/1500 & GT6 ② → | 1 |
| 43 | HB821C | Bolt & Nut-Spit 4/1500 & GT6 ② → | 1 |
| 44 | 149190 | Distance Tube-Spit4/1500 & GT6 ② → | 1 |
| 45 | 128352 | Clamping Plate-Spit 1/2/3 & GT6 1/3 ② → & Herald & Vit 6/1 | 1 |
| 46 | YN2909 | Nyloc Nut-Spring Clamping Plate/Box | 4/6 |
| 47 RADIUS ARMS | | | |
| | 133085 | Spit 1/2/3/4 → ① | 2 |
| | 155930 | Spit 4 ① → /1500 | 2 |
| | 159855 | GT6 3 ② → | 2 |
| | 146317 | GT6 1 | 2 |
| | 132912 | Herald & Vitessse | 2 |



FOOTNOTES
 → ① = Upto (c) FH50000 Spit 4 Short 1/2 Shaft
 ① → = From (c) FH50001 Spit 4 Long 1/2 Shaft
 ② → = From (c) KE20001 GT6 3 Non Rotoflex

REAR SUSPENSION - ROTOFLEX

| | | |
|------------|---|-----|
| 1 | REAR LEAF SPRING (INCLUDES SPRING EYE BUSHES) | |
| 308499 | GT6 2/3 | 1 |
| 308485 | Vit 2 | 1 |
| 2 | 117575 Bush-Spring Eye | 2 |
| 3 | HB1032C Bolt & Nut & Washer-Spring Eye | 2 |
| 4 | 128352 Clamping Plate-Rear Spring | 1 |
| | YN2909 Nyloc Nut-Spring Clamping Plate | 6 |
| 5 | REAR SHOCK ABSORBERS (INCLUDES ALL BUSHES) | |
| GSA280 | Standard-GT6 2/3 | 1pr |
| G464 | SPAX Gas Adjustables-GT6 2/3 | 1pr |
| 5A | 517666 Bush-Rear Shock | 4 |
| 5B | 517667 Sleeve-Rear Shock Bush | 4 |
| 6 | 148969 Bolt Top Rear Shock-GT6 2/3 | 2 |
| 7 | WP8020 Washer H/Duty 1/2" | 8 |
| 8 | WP11 Washer 1/2" | 2 |
| 9 | YN2911 Nyloc Nut 1/2" UNF | 4 |
| 10 | 150583 Bump Stop Inner W/Arch-GT6 2/3 | 2 |
| 11 | 150786 Bolt Bump Stop to W/Arch-GT6 2/3 | 4 |
| 15 | 215239E RH Lever Arm Shock (RECON)-Vit 2 | 1 |
| | 215240E LH Lever Arm Shock (RECON)-Vit 2 | 1 |
| | *Surcharge on Lever Arm Shocks | |
| 16 | 150642 Link Rear Shock to Vertical Link-Vit 2 | 2 |
| 17 | YN2911 Nyloc Nut 1/2" UNF | 2 |
| 18 | WP8020 Washer H/Duty 1/2" | 2 |
| 19 | 152492 Bolt & Washer Rear Shock to Chassis-Vit 2 | 4 |
| 20 | 136758 Bump Stop (incl Nut & Washer)-Vit 2 | 2 |
| 25 | 308437 RH Rear Vertical Link | 1 |
| | 308438 LH Rear Vertical Link | 1 |
| 26 | 149769 RH Lower Wishbone | 1 |
| | 149770 LH Lower Wishbone | 1 |
| 27 | 148874 Bush Inner Lower W/Bone | 2 |
| 28 | HB1122C Bolt & Nut & Washer-Inner Lower W/Bone | 2 |
| 29 | 149003K Bolt & Bush Kit Lower W/Bone to V/Link | 2 |
| 29A | 149003C Bolt & Nut Only Lower W/Bone to V/Link | 2 |
| 29B | 148948K Bush Kit Only Lower W/Bone to V/Link | 2 |
| 30 | BRACKET & BOLT-RADIUS ARM & SHOCK MOUNTING | |
| | 148975 RH-GT6 2/3 & Vit 2 | 1 |
| | 148976 LH-GT6 2/3 & Vit 2 | 1 |
| 31 | 119450 Bush Radius Arm | 4 |
| 32 | HB1020C Bolt & Nut & Washer-Radius Arm | 4 |

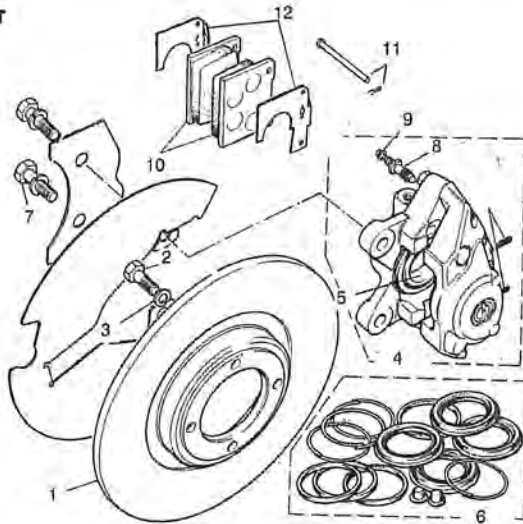


| | | |
|-----------|---|-----|
| 35 | 151093 Radius Arm Front-GT6 2/3 | 2 |
| | 151094 Radius Arm Rear-GT6/2/3 | 2 |
| | 151182 Radius Arm Front-Vit 2 | 2 |
| | 151185 Radius Arm Rear-Vit 2 | 2 |
| 36 | 151099 Adjuster-Radius Arm (Includes item 37) | 2 |
| 37 | JN2111 Locknut 1/2" | 2 |
| | 151110 Locknut 1/2" LH Thread | 2 |
| 38 | 148963 Bracket Radius Arm to Body-GT6 2/3 | 2 |
| 39 | 151847 RH Bracket Radius Arm to Chassis-Vit 2 | 1 |
| | 151848 LH Bracket Radius Arm to Chassis-Vit 2 | 1 |
| | YN2909 Nyloc Nut 3/8" UNF | 4 |
| 40 | 132023 Bolt & Nut-1/2 Shaft Flange to Diff | 8 |
| 41 | 214623 Inner 1/2 Shaft | 2 |
| 42 | 132328 Flange-1/2 Shaft to Diff | 2 |
| 43 | GUJ106 UJ Kit (Sealed) | 2 |
| | GUJ115 UJ Kit (with Grease Nipple) | 2 |
| 44 | 144233 Key-Inner 1/2 Shaft | 2 |
| 45 | 212067 Inner Driven Flange | 2 |
| 46 | 510618 Nyloc Nut | 2 |
| 47 | GCD301 Rotoflex Coupling (OE including Bolts) | 2 |
| | GCD301R Rotoflex Coupling (REPRO No Bolts) | 2 |
| 48 | 144588 Bolt Rotoflex Coupling-Long | 6 |
| 49 | 141850 Bolt Rotoflex Coupling-Short | 6 |
| 50 | 214614 Outer 1/2 Shaft | 2 |
| 51 | 149865 Stoneguard (Part of 214614) | 2 |
| 52 | 148850 Spacer (Part of 214614) | 2 |
| 53 | 158729 Wheel Stud | 8 |
| 54 | 149051 Rear Hub & Studs | 2 |
| 55 | BK56 Rear Wheel Bearing Kit | 2 |
| 56 | GHS125 Inner Oil Seal | 2 |
| 57 | GHS130 Outer Oil Seal | 2 |
| 58 | 152483 Distance Piece 0.139" | A/R |
| | 152486 Distance Piece 0.148" | A/R |
| 59 | 142340 Shim 0.003" | A/R |
| 60 | 142333 Washer Rear Hub | 2 |
| 61 | 510618 Nyloc Nut Rear Hub | 2 |

FOOTNOTES
 → ① = Upto (c) KE20000 GT6 3 Rotoflex

BRAKES - FRONT DISC BRAKES & REAR BRAKES

FRONT

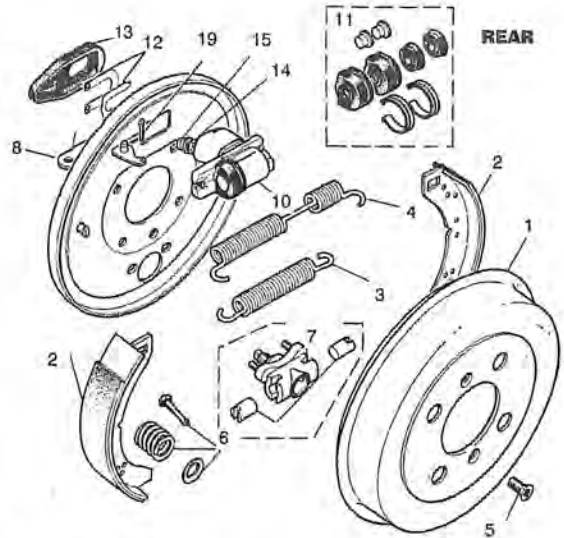


| | | | |
|----|---|--|---|
| 1 | 208715 | Brake Disc-Split & Herald & Vit 6 | 2 |
| | 213227 | Brake Disc-GT6 & Vit 1/2 | 2 |
| 2 | 113150 | Bolt-Brake Disc to Hub | 8 |
| 3 | WQ309 | Lock Washer | 8 |
| 4 | BRAKE CALIPERS-RECONDITIONED ** | | |
| | Type SP12-Split 1/2 & Herald 1200 → ① & Vit 6 | | |
| | 210988E | Caliper LH | 1 |
| | 210989E | Caliper RH | 1 |
| | Type 14-Split 3/4/1500 & Herald 1200 ① → /1360 | | |
| | 159130E | Caliper RH | 1 |
| | 159131E | Caliper LH | 1 |
| | Type 16P-GT6 1/2 → ② & Vit 1/2 → ② | | |
| | 307976E | Caliper RH | 1 |
| | 307967E | Caliper LH | 1 |
| | Type 16PB Imperial-GT6 2 ② → /3 → ③ & Vit 2 → ② | | |
| | 311852E | Caliper RH | 1 |
| | 311853E | Caliper LH | 1 |
| | Type 16PB Metric-GT6 3 ③ → | | |
| | 159027E | Caliper RH | 1 |
| | 159026E | Caliper LH | 1 |
| | **SURCHARGE on Reconditioned Calipers | | |
| 5 | BRAKE CALIPER PISTONS | | |
| | 512067 | Split 1/2 & Her 1200 → ① & Vit 6 (SP12) | 4 |
| | 518212 | Split 3/4/1500 & Her 1200 ① → /1360 (14) | 4 |
| | 510792 | GT6 1/2 → ② & Vit 1/2 → ② (16P) | 4 |
| | 157685 | GT6 2 → ②/3 & Vit 2 → ② (16PB) | 4 |
| 6 | BRAKE CALIPER SERVICE KIT (PER CALIPER) | | |
| | 511034 | Split 1/2 & Her 1200 → ① & Vit 6 (SP12) | 2 |
| | 520957 | Split 3/4/1500 & Her 1200 ① → /1360 (14) | 2 |
| | 506667 | GT6 1/2 → ② & Vit 1/2 → ② (16P) | 2 |
| | 518259 | GT6 2 ② → /3 & Vit 2 ② → (16PB) | 2 |
| 7 | BRAKE CALIPER SERVICE KIT (PER CALIPER) | | |
| | 132439 | Bolt-Brake Caliper (All models except below) | 4 |
| | 158713 | Bolt-Brake Caliper GT6 3 ③ → | 4 |
| | WL211 | Lock Washer-Caliper Bolt | 4 |
| 8 | 601959 | Bleed Screw-Caliper | 2 |
| 9 | 234957A | Cap-Bleed Screw | 2 |
| 10 | BRAKE PAD SET (CAR SET OF 4) | | |
| | GBP166 | Split 1/2 & Her 1200 → ① & Vit 6 (SP12) | 1 |
| | GBP574 | Split 3/4/1500 & Her 1200 ① → /1360 (14) | 1 |
| | GBP114 | GT6 1/2/3 → ③ & Vit 1/2 (16P/PB) | 1 |
| | GBP216 | GT6 3 ③ → (16PB Metric) | 1 |
| 11 | BRAKE PAD PIN KIT (SET 4 PINS & R CLIPS) | | |
| | GBK1001 | Split 1/2/3/4/1500 & Herald & Vit 6 | 1 |
| | GBK1003 | GT6 1/2/3 → ③ & Vit 1/2 (1/4" Pin) | 1 |
| | GBK1002 | GT6 3 ③ → (3/16" Pin) | 1 |
| 12 | BRAKE PAD SHIM KIT (CAR SET OF 4 SHIMS) | | |
| | 151191/2K | Split 1/2/3/4/1500 & Herald & Vit 6 | 1 |
| | 510809K | GT6 1/2/3 → ③ & Vit 1/2 (1/4" Pin) | 1 |
| | UKC951K | GT6 3 ③ → (3/16" Pin) | 1 |

FOOTNOTES

- ① = Upto (c) GA229454 & GD54348 Herald 1200/1250 *SP12 Calipers*
 ① → = From (c) GA229455 & GD54349 Herald 1200/1250 *Type 14 Calipers*
 → ② = Upto (c) KC56077 GT6 2 & HCS3394 Vit 2 *16P Calipers*
 ② → = From (c) KC56078 GT6 2 & HCS2295 Vit 2 *16PB Calipers*
 → ③ = Upto (c) KE123898 *GT6 3 Imperial Calipers*
 ③ → = From (c) KE12390 *GT6 3 Metric Calipers*

REAR

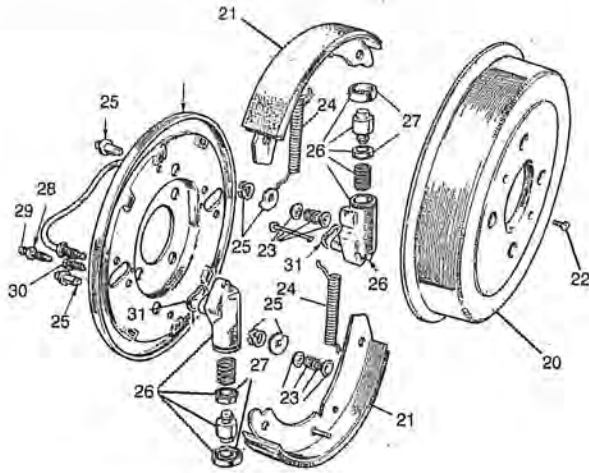


| | | | |
|----|---|---|----------------|
| 1 | REAR BRAKE DRUMS | | |
| | 201246 | Rear-Spitfire & Herald | 2 |
| | 203077 | Rear-GT6 1/2/3 → ⑤ & Vitesse | 2 |
| | 215754 | Rear-GT6 3 ⑤ → (Non Rotollex) | 2 |
| 2 | REAR BRAKE SHOE SETS (CAR SET-4 SHOES) | | |
| | GBS749 | Rear-Spitfire & Herald | 1 |
| | GBS750 | Rear-GT6 1/2/3 → ⑤ & Vitesse | 1 |
| | GBS746 | Rear-GT6 3 ⑤ → (Non Rotollex) | 1 |
| 3 | 105689 | Lower Shoe Spring-All models except below | 2 |
| | 519801 | Lower Shoe Spring-GT6 3 ⑤ → | 2 |
| 4 | 105689 | Upper Shoe Spring-All models except below | 2 |
| | 519802 | Upper Shoe Spring-GT6 3 ⑤ → | 2 |
| 5 | V5435 | Screw-Brake Drum | 4 |
| 6 | 120124K | Brake Shoe Retaining Kit (Set of 4) | 1 |
| 7 | 37H6134 | Rear Brake Adjuster-All models *Not GT6 3 ⑤ → ** | 2 |
| 8 | 123135 | Handbrake Lever-All models *Not GT6 3 ⑤ → ** | 2 |
| | 519799 | Handbrake Lever LH-GT6 3 ⑤ → ONLY | 1 |
| | 519800 | Handbrake Lever RH-GT6 3 ⑤ → ONLY | 1 |
| 9 | PC34 | Split Pin-Handbrake Lever | 2 |
| 10 | REAR WHEEL CYLINDERS (INCLUDES BLEED NIPPLE & RETAINING CLIPS) | | |
| | GWC1208 | Split 1/2/3 → ① & Her 1200 ③ → /1250/1360 & GT6 1 → ④ & Vit 1/2 ** 3/4" Bore ** | 2 |
| | GWC1202 | Split 3 ① → /4/1500 → ② & Her 1200 → ③ & GT6 1 ④ → /2 ** 5/8" Bore ** | 2 |
| | GWC1110 | Split 1500 ② → & GT6 3 → ⑤ & Vit 6 ** 0.7" Bore ** | 2 |
| | UKC1260 | GT6 3 ⑤ → (Self Adj)** 7/8" Bore ** | 2 Use UKC1260A |
| | UKC1260A | GT6 3 ⑤ → (Self Adj) ** 0.7" Bore ** (ALTERNATIVE) 1pr | 1 |
| 11 | SERVICE KIT-REAR WHEEL CYLINDERS (CAR SET-2 CYLINDERS) | | |
| | SP2027 | Split 1/2/3 → ① & Her 1200 ③ → /1250/1360 & GT6 1 → ④ & Vit 1/2 ** 3/4" Bore ** | 1 |
| | SP2074 | Split 3 ① → /4/1500 → ② & Her 1200 → ③ & GT6 1 ④ → /2 ** 5/8" Bore ** | 1 |
| | SP2087 | Split 1500 ② → & GT6 3 → ⑤ & Vit 6 ** 0.7" Bore ** | 1 |
| | SP2358 | GT6 3 ⑤ → (Self Adj) ** 7/8" Bore ** | 1 |
| 12 | 120138P | Retaining Clips-Rear W/Cyl (Pair) | 2 |
| 13 | 120139 | Rear W/Cyl Dust Cover-All models except below | 2 |
| | 519695 | Rear W/Cyl Dust Cover-GT6 3 ⑤ → | 2 |
| 14 | 108756 | Bleed Nipple-Rear Wheel Cylinder | 2 |
| 15 | 234957A | Cap-Bleed Nipple | 2 |

FOOTNOTES

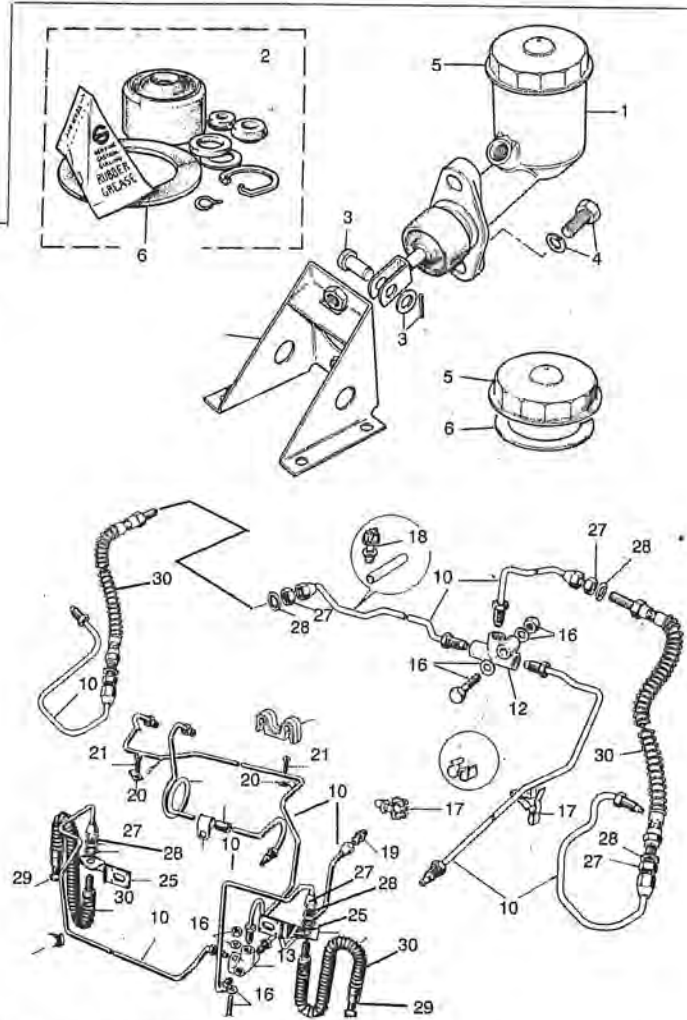
- ① = Upto (c) FD89085 Split 3-3/4" Bore RWC
 ① → = From (c) FD89086 Split 3-5/8" Bore RWC
 → ② = Upto (c) FH80000 Split 1500-5/8" Bore RWC
 ② → = From (c) FH80001 Split 1500-0.7" Bore RWC
 → ③ = Upto (c) GA15030 Her 1200-5/8" Bore RWC
 ③ → = From (c) GA15031 Her 1200-3/4" Bore RWC
 → ④ = Upto (c) KC7278 GT6 1-3/4" Bore RWC
 ④ → = From (c) KC7279 GT6 1 5/8" Bore RWC
 → ⑤ = Upto (c) KE20000 GT6 3 Rotollex
 ⑤ → = From (c) KE20001 GT6 3 Non-Rotollex

BRAKES - HERALD FRONT DRUM BRAKES & HYDRAULICS



| HERALD FRONT DRUM BRAKE | | | |
|-------------------------|-----------|-------------------------------------|---|
| 20 | 203077 | Brake Drum | 2 |
| 21 | GBS123 | Brake Shoe Set (Car Set of 4) | 1 |
| 22 | V5435 | Screw-Brake Drum | 4 |
| 23 | 120124K | Brake Shoe Retaining Kit (Set of 4) | 1 |
| 24 | 504875 | B/Shoe Spring | 4 |
| 25 | 105667/9K | B/Shoe Adjuster Kit (Car Set) | 1 |
| 26 | GWC202 | Wheel Cylinder LH | 2 |
| | GWC201 | Wheel Cylinder RH | 2 |
| 27 | SP2044 | Service Kit-Frt Wheel Cyl (Car Set) | 1 |
| 28 | 108756 | Bleed Nipple-Front Wheel Cylinder | 2 |
| 29 | 234957A | Cap-Bleed Nipple | 2 |
| 30 | 128037W | Bolt & Washer-Cylinder to Backplate | 8 |
| 31 | 120129 | Seal-Cylinder to Backplate | 4 |

| | | | |
|----|--|---|--------------|
| 1 | BRAKE MASTER CYLINDERS | | |
| | GMC205 | Spit 1/2 & Herald 948/1200 (Drum) | 1 |
| | GMC220 | Herald 1200 (Disc)/1360 & Vitesse 6 | 1 use GMC224 |
| | GMC224 | Spit 3/4/1500 → ① | 1 |
| | 213689 | Spit 3/4/1500 → ① ** Dual Line ** | 1 |
| | GMC226 | Spit 1500 ① → ** Dual Line ** | 1 |
| | GMC209 | GT6 1/2/3 → ② & Vitesse 1/2 *0.7** | 1 |
| | GMC219 | GT6 3 ② → *0.75** | 1 |
| 2 | SERVICE KITS-BRAKE MASTER CYLINDER | | |
| | SP1963 | Spit 1/2/3/4/1500 → ① & Herald & Vitesse 6 | 1 |
| | SP7657 | Spit 1500 ① → (Late Tandem Brake M/Cyl) | 1 |
| | SP2406 | Spit 3/4/1500 → ① (Early Tandem Brake M/Cyl) | 1 |
| | SP2172 | GT6 1/2/3 → ② & Vitesse 1/2 *0.7** | 1 |
| | SP2119 | GT6 3 ② → *0.75** | 1 |
| 3 | PJ8808K | Clavis Pin Kit-BMC/CMC Push Rod | 1 |
| 4 | HU807W | Set Bolt & Washer-BMC/CMC to Bracket | 2 |
| 5 | CAP-BRAKE MASTER CYLINDER | | |
| | 106094 | Spit 1/2 & Her 948/1200 (Drum) & Vit 6 | 1 |
| | 510844 | Spit 3/4/1500 → ① & Her(Disc) & GT6 & Vit 1/2 | 1 |
| 6 | SEAL-BRAKE MASTER CYLINDER CAP | | |
| | 106095 | Spit 1/2 & Her 948/1200 (Drum) & Vit 6 | 1 |
| | 510845 | Spit 3/4/1500 → ① & Her(Disc) & GT6 & Vit 1/2 | 1 |
| 10 | COPPER BRAKE PIPE KITS | | |
| | GB6221 | Spit 1/2/3 | 1 |
| | GB6222 | Spit 4/1500 → ① | 1 |
| | GB6226 | Spit 1500 → ① | 1 |
| | GB6223 | GT6 1 | 1 |
| | GB6224 | GT6 2/3 → ② | 1 |
| | GB6225 | GT6 3 ② → | 1 |
| | GB6203 | Herald 1200 (Drum Brakes) | 1 |
| | GB6204 | Herald 1200/1250 (Disc Brakes) | 1 |
| | GB6217 | Herald 1360 | 1 |
| | GB | Herald Estate ?? | 1 |
| | GB6208 | Vitesse 6 | 1 |
| | GB6207 | Vitesse 2.0L Mk1 | 1 |
| | GB6210 | Vitesse Mk2 | 1 |
| 12 | BTB657 | Brake Pipe Union ** 3 Way ** | 1/2 |
| 13 | 136939 | Brake Pipe Union ** 4 Way ** | 1 |
| 14 | 137075 | Brake Pipe Union Front-Her 948/1200 → ④ & Vit 6 | 1 |
| 15 | 132869 | Brake Light Switch-Her 948/1200 → ④ & Vit 6 | 1 |
| 16 | H8710C | Bolt & Nut-Brake Pipe Unions to Chassis | 2 |
| 17 | 59191 | Clip-Brake & Fuel Pipe (Mefal) | A/R |
| | 624155 | Clip-Brake & Fuel Pipe 5/16" OD | A/R |
| 18 | 623312 | Clip-Brake Pipe (Plastic) | A/R |
| 19 | 121782 | Connector-Brake Pipes Front to Rear | 1 |
| 20 | 59380 | Clamp-Brake Pipe to Bulkhead | 2 |
| 21 | YA803 | Screw for 59380 | 2 |
| 25 | MOUNTING BRACKETS ON SUSPENSION TURRETS FOR FRONT FLEXI HOSES | | |
| | 122771 | LH Her948/1200 (Drum Brake) | 1 |
| | 122772 | RH Her948/1200 (Drum Brake) | 1 |
| | 132365 | RH Spit & Her (Disc Brake) & Vit 6 | 1 |
| | 132366 | LH Spit & Her (Disc Brake) & Vit 6 | 1 |
| | 145454 | LH GT6 & Vit 1/2 | 1 |
| | 145455 | RH GT6 & Vit 1/2 | 1 |
| 26 | 145452 | Bracket on Caliper for Flexi Hose-GT6 & Vit 1/2 | 2 |
| 27 | 516814 | Thin Plain Nut-Flexi Brake Hose | A/R |
| 29 | WN709 | Anti Rattle Washer-Flexi Brake Hose | A/R |
| 29 | 107072 | Copper Washer-Flexi Brake Hose | A/R |

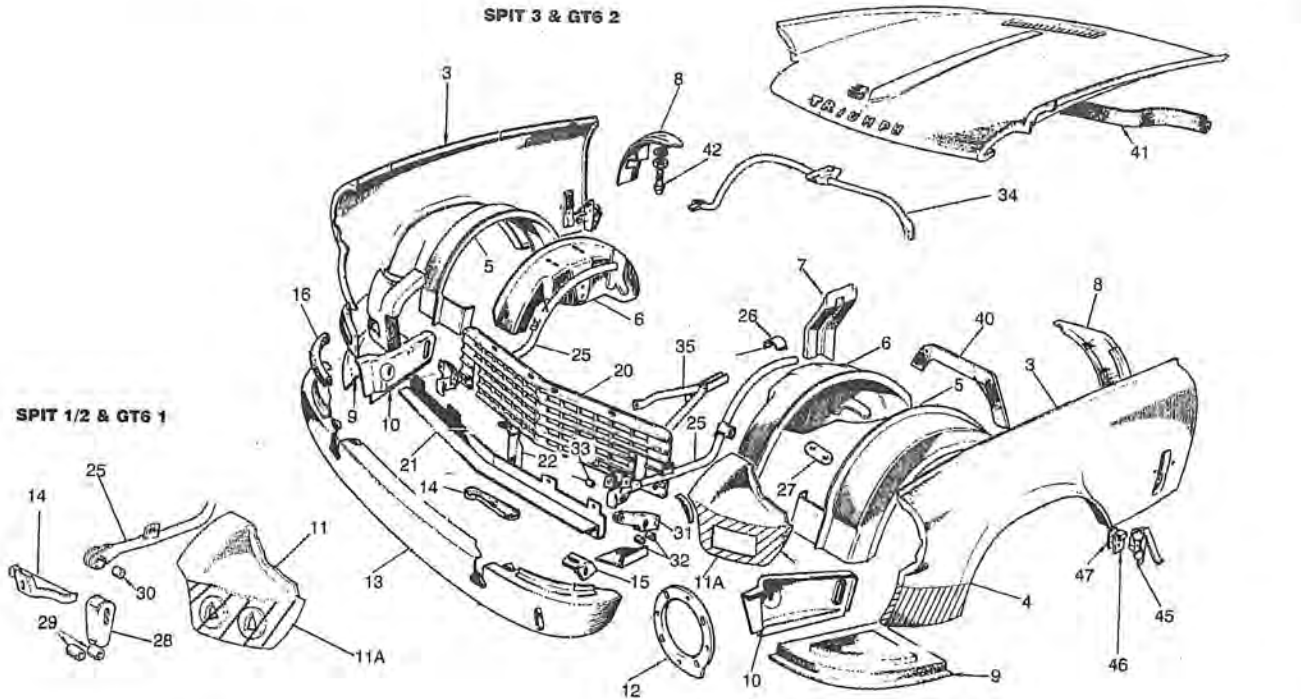


| 30 FLEXI BRAKE HOSES (SUPPLIED WITH LOCKNUT & COPPER WASHERS WHERE REQUIRED) | | | |
|---|--|-------------------------------|---|
| GBH216 | Front Spit & Herald (Disc Brake) & Vit 6 | 2 | |
| GBH201 | Front Herald 948/1200 (Drum Brake) | 2 | |
| GBH126 | Front GT6 & Vit 1/2 | 2 | |
| GBH175 | Rear Spit 1/2/3/4 → ③ & Herald & GT6 1 | 2 | |
| GBH166 | Rear Spit 4 ③ → /1500 | 2 | |
| GBH204 | Rear LH GT6 2/3 → ② (Rotoflex) | 1 | |
| GBH203 | Rear RH GT6 2/3 → ② (Rotoflex) | 1 | |
| 21H5967 | Rear GT6 3 ② → (Non Rotoflex) | 2 | |
| 31 | 134529 | Brake Light Switch (On Pedal) | 1 |

FOOTNOTES

- ① = Upto (c) FH130000 RH Drive & FH80000 LH Drive Spit 1500
- ① → = From (c) FH130001 RH Drive & FH80001 LH Drive Spit 1500
- ② = Upto (c) KE20000 GT6 3 Rotoflex Model
- ② → = From (c) KE20001 GT6 3 NON Rotoflex Model
- ③ = Upto (c) FH50000 Spit 4 Short 1/2 Shaft
- ③ → = From (c) FH50001 Spit 4 Long 1/2 Shaft
- ④ = Upto (c) GA130164 & GB10998 Switch on Union

BONNET - SPIT 1/2/3 & GT6 1/2



BONNET-SPIT 1/2/3 & GT6 1/2

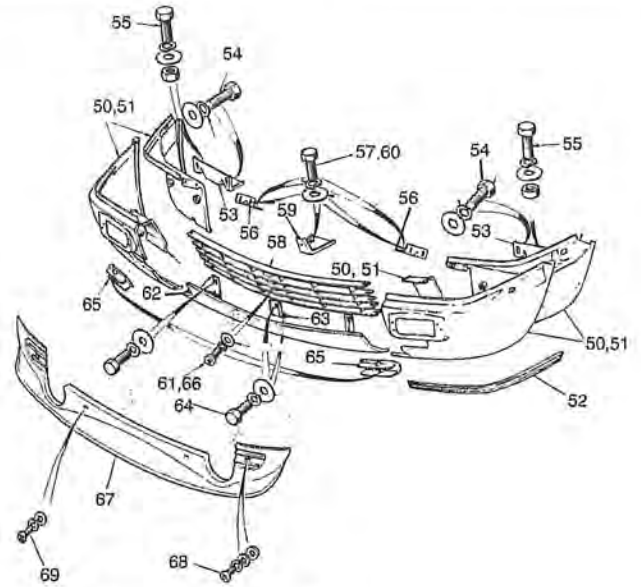
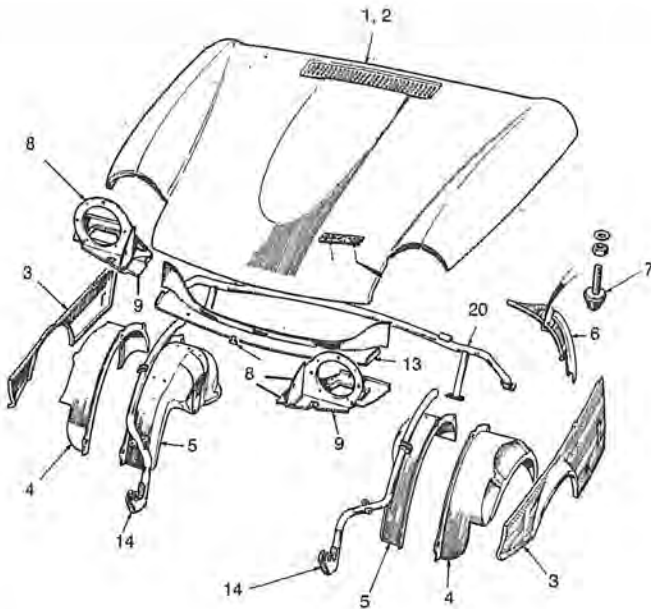
| | | | | | | | |
|-----|----------|---------------------------------------|---|----|-----------|--|----|
| 1 | 903455 | Bonnet Assembly (Steel)-Spit 1/2 | 1 | 20 | 613340 | Grille Surround-Spit 1/2 | 1 |
| | 907254 | Bonnet Assembly (Steel)-Spit 3 | 1 | | 706707 | Front Grille-Spit 1 | 2 |
| | 905302 | Bonnet Assembly (Steel)-GT6 1 | 1 | | 708592 | Front Grille-Spit 2 | 2 |
| | 908116 | Bonnet Assembly (Steel)-GT6 2 | 1 | | 810402 | Front Grille-Spit 3 → ① & GT6 1/2 | 2 |
| 2 | BNT-01 | Bonnet Assembly (GRP)-Spit 1/2 | 1 | | 817252 | Front Grille-Spit 3 ① → (Plastic) | 1 |
| | BNT-02 | Bonnet Assembly (GRP)-Spit 3 | 1 | | FZ3404/4K | Screw & Nut Kit-Grille Fixing | 8 |
| | BNT-03 | Bonnet Assembly (GRP)-GT6 1 | 1 | 21 | 710679 | Bottom Grille Channel-Spit 3 & GT6 1/2 | 1 |
| | BNT-04 | Bonnet Assembly (GRP)-GT6 2 | 1 | 22 | 710680 | Centre Grille Strut-Spit 3 & GT6 1/2 | 1 |
| 3 | 903088 | LH Front Wing-Spit 1/2/3 & GT6 1 | 1 | 25 | 806882 | LH Bonnet Tube-Spit 1/2 & GT6 1 | 1 |
| | 903089 | RH Front Wing-Spit 1/2/3 & GT6 1 | 1 | | 806883 | RH Bonnet Tube-Spit 1/2 & GT6 1 | 1 |
| | 908113 | LH Front Wing-GT6 2 | 1 | | 811679 | LH Bonnet Tube-Spit 3 & GT6 2 | 1 |
| | 908114 | RH Front Wing-GT6 2 | 1 | | 811680 | RH Bonnet Tube-Spit 3 & GT6 2 | 1 |
| 4 | 903088FR | LH Front Wing Corner Repair | 1 | 26 | 607869 | Bracket-Bonnet Tube to W/Arch | 4 |
| | 903089FR | RH Front Wing Corner Repair | 1 | 27 | 607711 | Back Plate-Bonnet Tube to W/Arch | 4 |
| 5 | 903137R | LH Front Outer Wheel Arch (REPRO) | 1 | | HU706W | Bolt & Washers | 8 |
| | 903138R | RH Front Outer Wheel Arch (REPRO) | 1 | 28 | 612838 | Bracket Bonnet Tube-Spit 1/2 & GT6 1 | 2 |
| 6 | 909797 | LH Front Inner Wheel Arch | 1 | 29 | 612963 | Distance Piece-612838 to Chassis | 4 |
| | 909798 | RH Front Inner Wheel Arch | 1 | | HB818C | Bolt/Nut & Washers | 4 |
| 7 | 612659 | LH Support Wheel Arch to Wing | 1 | 30 | 607910 | Distance Piece-Spit 1/2 & GT6 1 | 2 |
| | 612660 | RH Support Wheel Arch to Wing | 1 | | HB916C | Bolt/Nut & Washers | 2 |
| 8 | 807102 | LH Front Wing Rear Reinforcement | 1 | 31 | 712726 | Bracket Bonnet Tube-Spit 3 & GT6 2 | 2 |
| | 807103 | RH Front Wing Rear Reinforcement | 1 | 32 | 621418 | Distance Piece-712726 to Chassis | 4 |
| 9 | 706311 | LH D Plate Strengthenner | 1 | | HB818C | Bolt/Nut & Washers | 4 |
| | 706312 | RH D Plate Strengthenner | 1 | 33 | 621419 | Distance Piece-Spit 3 & GT6 2 | 2 |
| 10 | 810260 | LH Inner Strengthenner | 1 | | HB919C | Bolt/Nut & Washers | 2 |
| | 810261 | RH Inner Strengthenner | 1 | 34 | 706539 | Rear Bonnet Tube | 1 |
| 11 | 903090 | LH Nose Panel-Spit 1/2 & GT6 1 | 1 | | HU706W | Bolt & Washers-Rear Tube to W/Arch | 4 |
| | 903091 | RH Nose Panel-Spit 1/2 & GT6 1 | 1 | | HN2007W | Nut & Washers-Rear Tube to Top Panel | 2 |
| | 907157 | LH Nose Panel-Spit 3 & GT6 2 | 1 | | 808643 | Packing Piece-Rear Tube to Top Panel | 2 |
| | 907158 | RH Nose Panel-Spit 3 & GT6 2 | 1 | 35 | 613751 | Bonnet Stay-Lower | 1 |
| 11A | 903090RP | LH Nose Panel Repair-Spit 1/2 & GT6 1 | 1 | | 613045 | Bonnet Stay-Upper | 1 |
| | 903091RP | RH Nose Panel Repair-Spit 1/2 & GT6 1 | 1 | | HB710C | Bolt/Nut & Washers-Bonnet Stay | 1 |
| | 907157RP | LH Nose Panel Repair-Spit 3 & GT6 2 | 1 | | HB708C | Bolt/Nut & Washer-Stay to Chassis | 1 |
| | 907158RP | RH Nose Panel Repair-Spit 3 & GT6 2 | 1 | | HB708C | Bolt/Nut & Washer-Stay to Wheel Arch | 1 |
| 12 | 612873/4 | Headlamp Mounting Ring | 2 | | WM816 | Spacer-Wheel Arch to Stay | 1 |
| 13 | 807196 | Front Valance-Spit 1/2 & GT6 1 | 1 | 40 | 613666 | Seal-Front W/Arch to Dash | 2 |
| | 811676 | Front Valance-Spit 3 & GT6 2 | 1 | | 608520 | Clip-W/Arch to Dash Seal | 18 |
| 14 | 706512 | LH Valance Bracket-Spit 1/2 & GT6 1 | 1 | 41 | 610675 | Seal-Bonnet Rear | 1 |
| | 706513 | RH Valance Bracket-Spit 1/2 & GT6 1 | 1 | 42 | 612952 | Bonnet Locating Peg & Lock Nut | 2 |
| | 712567 | LH Valance Bracket-Spit 3 & GT6 2 | 1 | 45 | 607663 | Bonnet Catch | 2 |
| | 712568 | RH Valance Bracket-Spit 3 & GT6 2 | 1 | | 510293K | Screw/Nut & Washers-Bonnet Latch | 6 |
| | FQ3405K | Caged Nut & Bolt/Washers | 4 | 46 | 607664 | Catch Plate (On Bulkhead) | 2 |
| 15 | 612829 | LH Valance End Bracket | 1 | | 613474 | Gasket-Catch Plate to Bulkhead | 2 |
| | 612830 | RH Valance End Bracket | 1 | 47 | 609931 | Tapped Plate | 2 |
| | HU706C | Bolt/Nut & Washers | 4 | | HU706W | Bolt & Washers | 2 |
| 16 | 610676 | Seal-Front Valance to Bonnet | 2 | | | | |

FOOTNOTES

→ ① = Upto (c) FD75000 Spit 3

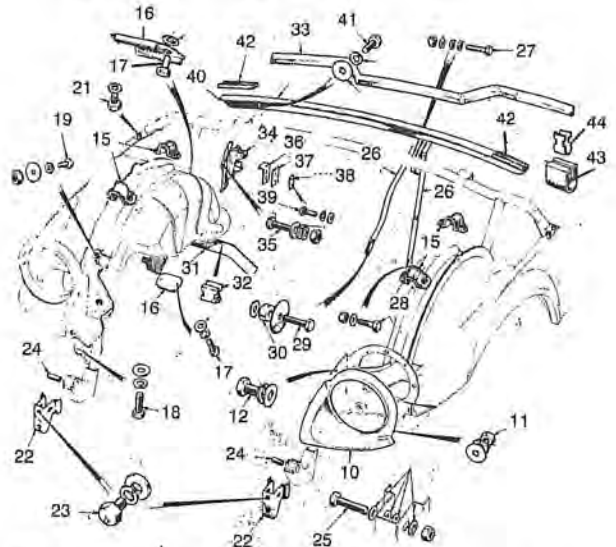
① → = From (c) FD75001 Spit 3

BONNET - SPIT 4/1500 & GT6 3



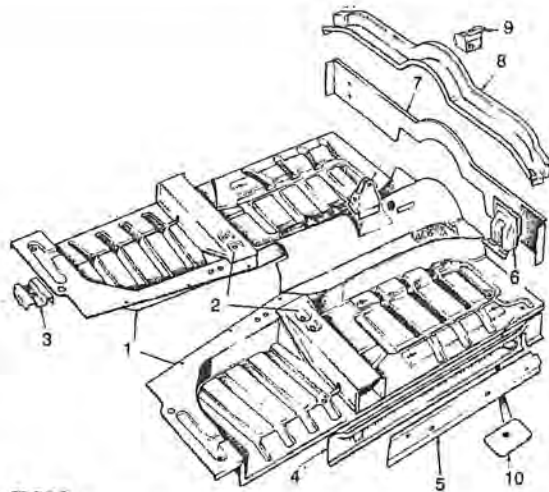
BONNET-SPIT 4/1500 & GT6 3

| | | | |
|----|---------|---------------------------------------|----|
| 1 | WKC3450 | Bonnet Assembly(Steel)-Spit 4/1500 | 1 |
| | 913766 | Bonnet Assembly(Steel)-GT6 3 | 1 |
| 2 | BNT-05 | Bonnet Assembly(GRP)-Spit 4/1500 | 1 |
| | BNT-06 | Bonnet Assembly(GRP)-GT6 3 | 1 |
| 3 | 909663 | LH Front Wing | 1 |
| | 909664 | RH Front Wing | 1 |
| 4 | 909351 | LH Front Outer Wheel Arch | 1 |
| | 909352 | RH Front Outer Wheel Arch | 1 |
| 5 | 909797 | LH Front Inner Wheel Arch | 1 |
| | 909798 | RH Front Inner Wheel Arch | 1 |
| 6 | 818625 | LH Front Wing Rear Reinforcement | 1 |
| | 818626 | RH Front Wing Rear Reinforcement | 1 |
| 7 | 612962 | Bonnet Locating Peg & Locknut | 2 |
| 8 | 818871 | LH Headlamp Support Panel | 1 |
| | 818872 | RH Headlamp Support Panel | 1 |
| 9 | TS39L | LH Headlamp Support Lower Repair | 1 |
| | TS39R | RH Headlamp Support Lower Repair | 1 |
| 10 | 911101 | LH Headlamp Cowl | 1 |
| | 911102 | RH Headlamp Cowl | 1 |
| 11 | HN2007W | Nut & Washers | 2 |
| 12 | HU703W | Bolt & Washers | 4 |
| 13 | 815010 | Front Bonnet Reinforcement | 1 |
| 14 | 911107 | LH Bonnet Tube | 1 |
| | 911108 | RH Bonnet Tube | 1 |
| 15 | 607869 | Bracket-Bonnet Tube to W/Arch | 4 |
| 16 | 607711 | Backplate-Bonnet Tube to W/Arch | 4 |
| 17 | HU706W | Bolt & Washers-Tube to W/Arch | 4 |
| 18 | HU706W | Bolt & Washers-Tube to H/Lamp Support | 4 |
| 19 | HU706C | Bolt/Nut & Washers-Tube to W/Arch | 2 |
| 20 | 911150 | Rear Bonnet Tube | 1 |
| 21 | HU704W | Bolt & Washers-Bonnet Rear Tube | 8 |
| 22 | 715805 | Bracket-Bonnet Tube to Chassis | 2 |
| 23 | HU805W | Bolt & Washers | 4 |
| 24 | 624509 | Distance Piece-Bonnet Tube Pivot | 2 |
| 25 | HU915C | Bolt & Nut/Washers-Bonnet Tube Pivot | 2 |
| 26 | 613751 | Bonnet Stay-Lower | 1 |
| | 613045 | Bonnet Stay-Upper | 1 |
| 27 | HB710C | Bolt/Nut & Washers-Bonnet Stay | 1 |
| 28 | HB708C | Bolt/Nut & Washers-Stay to Chassis | 1 |
| 29 | HB708C | Bolt/Nut & Washers-Stay to Wheel Arch | 1 |
| 30 | WM816 | Spacer-Wheel Arch to Stay | 1 |
| 31 | 613666 | Seal-Front W/Arch to Dash | 2 |
| 32 | 608520 | Clip-W/Arch to Dash Seal | 18 |
| 33 | 610675 | Seal-Bonnet Rear | 2 |
| 34 | 607663 | Bonnet Catch | 1 |
| 35 | 510293K | Screw/Nut & Washers-Bonnet Latch | 6 |
| 36 | 607664 | Catch Plate (On Bulkhead) | 2 |
| 37 | 613474 | Gasket-Catch Plate to Bulkhead | 2 |
| 38 | 609931 | Tapped Plate | 2 |
| 39 | HU706W | Bolt & Washers | 2 |

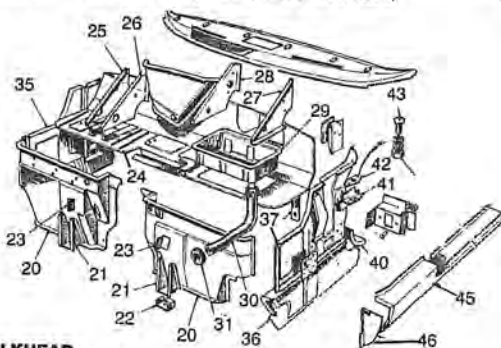


| | | | |
|----|-----------|--|---|
| 40 | 722631 | Bracket-Rear Frame (upto Mid 77) | 1 |
| 41 | HU705W | Bolt & Washers | 2 |
| 42 | 608643 | Packing Piece | 2 |
| 43 | 632020 | Buffer-Rear Bonnet | 2 |
| 44 | 632030 | Clip-Rear Bonnet Buffer | 2 |
| 50 | 815391 | LH Corner Valance Assembly (Steel) | 1 |
| | 815392 | RH Corner Valance Assembly (Steel) | 1 |
| 51 | 815391GRP | LH Corner Valance Assembly (GRP) | 1 |
| | 815392GRP | RH Corner Valance Assembly (GRP) | 1 |
| 52 | 716200 | Seal-Corner Valance to Bonnet | 2 |
| 53 | 624419 | Bracket-Valance to Cross Rail | 2 |
| 54 | HU805W | Bolt & Washers-624419 to Valance | 4 |
| 55 | HU805C | Bolt/Nut & Washers-624419 to Chassis | 4 |
| 56 | 624590 | Bracket-Valance to Bonnet Pivot Box | 2 |
| 57 | HU705W | Bolt & Washers-624590 to Valance/Chassis | 8 |
| 58 | 815026 | Front Grille | 1 |
| 59 | 624591 | Bracket-Grille to Cross Rail | 1 |
| 60 | HU705W | Bolt & Washers-624591 to Cross Rail | 2 |
| 61 | 512598W | Screw & Washers-624591 to Grille | 1 |
| 62 | 715889 | Centre Valance-Spit 4 & GT6 3 | 1 |
| 63 | 624601 | Bracket-Centre Valance to Cross Rail | 1 |
| 64 | HU705W | Bolt & Washers | 4 |
| 65 | 715863 | LH Grille (In Corner Valance) | 1 |
| | 715864 | RH Grille (In Corner Valance) | 1 |
| 66 | 512598W | Screw & Washers | 2 |
| 67 | GLZ608 | Front Spoiler-Spit 1500 | 1 |
| 68 | 521176W | Screw & Washers- GLZ608 to Valance | 2 |
| 69 | PX506W | Screw & Washers- GLZ608 to Cross Rail | 2 |

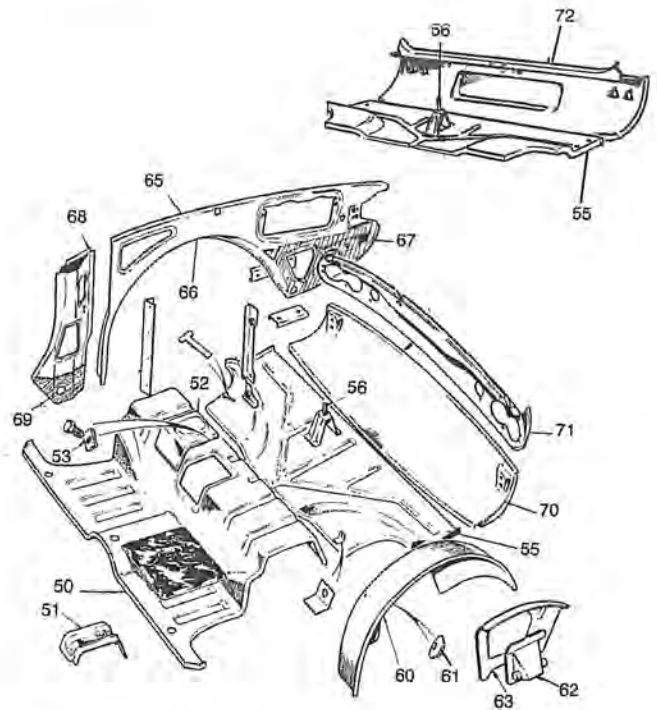
MAIN BODY - SPITFIRE & GT6



| FLOOR | | |
|-------|--------|---|
| 1 | TS22L | LH Main Floor Repair (incl Captive Nuts) |
| | TS22R | RH Main Floor Repair (incl Captive Nuts) |
| | TS22AL | LH Main Floor Repair (Pressing Only) |
| | TS22AR | RH Main Floor Repair (Pressing Only) |
| 2 | TS25 | Floor Reinforcement Box |
| 3 | 612527 | LH Dash Mounting Bracket |
| | 612528 | RH Dash Mounting Bracket |
| 4 | 806636 | LH Inner Sill |
| | 806637 | RH Inner Sill |
| 5 | 806634 | LH Inner Sill Reinforcement |
| | 806635 | RH Inner Sill Reinforcement |
| 6 | 623796 | Reinforcement Bracket-Heelboard |
| 7 | 901134 | Heelboard |
| 8 | 807104 | Crossmember-Heelboard |
| 9 | 133914 | Bracket-Handbrake Relay Lever Mounting |
| 10 | 615980 | Seat Belt Fixing Plate & Nut (Part of TS22) |

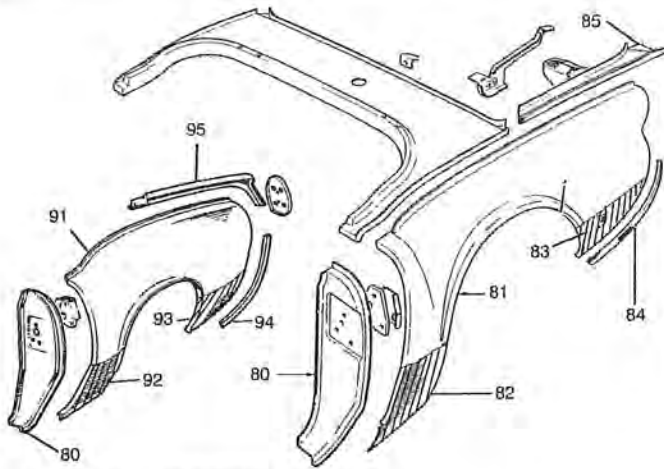


| BULKHEAD | | |
|----------|--------|-------------------------------------|
| 20 | 818875 | LH Dash Panel-Spit/GT6 |
| | 818876 | RH Dash Panel-Spit |
| | 809741 | RH Dash Panel-GT6 |
| 21 | 602621 | Bracket-Front Dash Mounting |
| 22 | 807637 | Plate-Front Dash Mounting Bracket |
| 23 | 615706 | Bracket-Engine Valance |
| 24 | TS65 | RH Bulkhead Repair-(RHD) |
| 25 | 613685 | RH Gusset-Pedal Reinforcement (RHD) |
| 26 | 612981 | LH Gusset-Pedal Reinforcement (RHD) |
| 27 | 613686 | LH Gusset-Battery Box |
| 28 | 613687 | RH Gusset-Battery Box |
| 29 | 806707 | Battery Box RHD |
| 30 | 612970 | Drain Pipe-Battery Box |
| 31 | 613025 | Grommet-Battery Box Drain Pipe |
| 35 | 912979 | LH A Post Assembly |
| | 912980 | RH A Post Assembly |
| 36 | TS52L | LH Lower A Post Repair Panel |
| | TS52R | RH Lower A Post Repair Panel |
| 37 | TS52AL | LH Upper A Post Repair Panel |
| | TS52AR | RH Upper A Post Repair Panel |
| 40 | 706288 | LH A Post Filler Panel |
| | 706289 | RH A Post Filler Panel |
| 41 | 612616 | Bracket-Bonnet Locating |
| 42 | 612617 | Plate-Bonnet Cone Locating |
| 43 | PX454C | Screw/Nut/Washers |
| 45 | 903097 | LH Outer Sill (OE Rover) |
| | 903098 | RH Outer Sill (OE Rover) |
| | TS16L | LH Outer Sill (Copy of OE Sill) |
| | TS16R | RH Outer Sill (Copy of OE Sill) |
| 46 | 706422 | LH Sill End Plate |
| | 706423 | RH Sill End Plate |

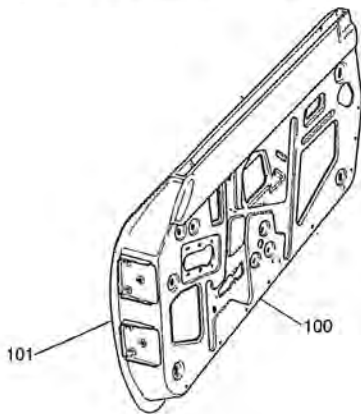


| REAR BODY | | |
|---------------------------|----------|--|
| 50 | 903132 | Rear Seat Pan |
| 51 | 706159 | LH Rein Bracket-Rear Seat Pan |
| | 706160 | RH Rein Bracket-Rear Seat Pan |
| 52 | 613812 | Cover-Rear Spring Access |
| 53 | FJ2585K | Screw & Spire Nut-Spring Access Cover |
| 55 | 815279 | Boot Floor (TS30) |
| 56 | 627196 | Bracket-Spare Wheel (TS40) |
| 60 | 718716 | LH Inner Wheel Arch (Inside Car) |
| | 718717 | RH Inner Wheel Arch (Inside Car) |
| 61 | 621112 | Seat Belt-Mounting Plate & Nut |
| 62 | 714655 | LH Shock Mntg Bracket-GT6 2/3(Roto) |
| | 714656 | RH Shock Mntg Bracket-GT6 2/3(Roto) |
| 63 | 821154 | LH Rein Plate-Shock Mounting |
| | 821155 | RH Rein Plate-Shock Mounting |
| SPIT 4/1500 & GT6 3 ONLY | | |
| 65 | 909661 | LH Inner Rear Wing & Outer Wheel Arch |
| | 909662 | RH Inner Rear Wing & Outer Wheel Arch |
| 66 | TS50L | LH Inner Outer Wheel Arch Repair |
| | TS50R | RH Inner Outer Wheel Arch Repair |
| 67 | TS51L | LH Inner Rear Wing Repair-Boot Area |
| | TS51R | RH Inner Rear Wing Repair-Boot Area |
| 68 | 715885 | LH B Post Rein-Spit 4/1500 (TS68L) |
| | 715886 | RH B Post Rein-Spit 4/1500 (TS68R) |
| | 911117 | LH B Post Rein-GT6 3 |
| | 911118 | RH B Post Rein-GT6 3 |
| 69 | 715885LR | LH B Post Rein Lower Repair |
| | 715886LR | RH B Post Rein Lower Repair |
| 70 | 908970 | Lower Rear Valance (OE Pressing) |
| | TS28 | Lower Rear Valance (Copy) |
| 71 | 716182 | Rear Lamp Panel-Spit 4/1500 |
| | 815395 | Rear Lamp Panel-GT6 3 |
| SPIT 1/2/3 & GT6 1/2 ONLY | | |
| 65 | 903148 | LH Inner Rear Wing & Outer Wheel Arch |
| | 903149 | RH Inner Rear Wing & Outer Wheel Arch |
| 66 | 903148RP | LH Inner Outer Wheel Arch Repair |
| | 903149RP | RH Inner Outer Wheel Arch Repair |
| 67 | 903148RR | LH Inner Rear Wing Repair-Boot Area |
| | 903149RR | RH Inner Rear Wing Repair-Boot Area |
| 68 | 903146 | LH B Post Rein-Spit 1/2 & GT6 1/2 |
| | 903147 | RH B Post Rein-Spit 1/2 & GT6 1/2 |
| | 907163 | LH B Post Rein-Spit 3 |
| | 907164 | RH B Post Rein-Spit 3 |
| 69 | 715885LR | LH B Post Rein Lower Repair |
| | 715886LR | RH B Post Rein Lower Repair |
| 72 | 569900 | Rear Valance-Spit 1/2 |
| | 811687 | Rear Valance-Spit 3 |
| | 709807 | Rear Valance-GT6 1 |
| | 717006 | Rear Valance-GT6 2 |
| | TS27 | Rear Valance (Pressing Only, No Holes for Lamps) |

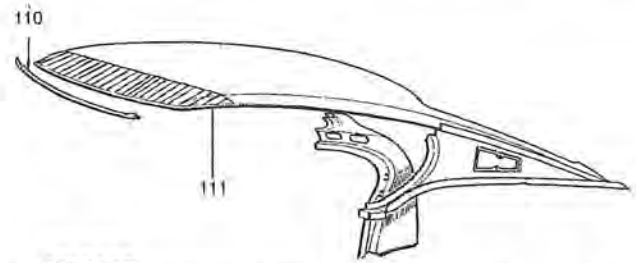
MAIN BODY & CHASSIS - SPITFIRE & GT6



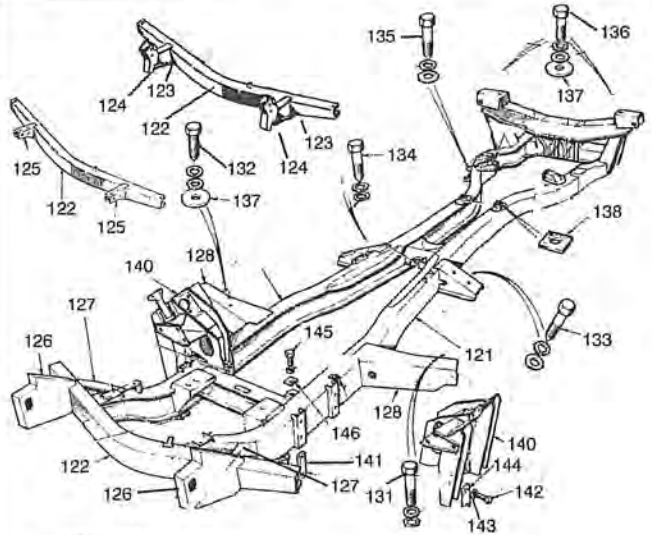
| | | | |
|--|---------|---|---|
| 80 | 807113 | LH B Post-Spit 1/2 → ① | 1 |
| | 807114 | RH B Post-Spit 1/2 → ① | 1 |
| | 813365 | LH B Post-Spit 2 ① → 1/3 & 4/1500 & GT6 | 1 |
| | 813366 | RH B Post-Spit 2 ① → 1/3 & 4/1500 & GT6 | 1 |
| REAR WINGS-SPIT 4/1500 & GT6 3 | | | |
| 81 | WKC2466 | LH Rear Wing-Spit 4/1500 (OE) | 1 |
| | WKC2467 | RH Rear Wing-Spit 4/1500 & GT6 3 (OE) | 1 |
| | TS33L | LH Rear Wing-Spit 4/1500 (Copy) | 1 |
| | TS33R | RH Rear Wing-Spit 4/1500 & GT6 3 (Copy) | 1 |
| | 815265 | LH Rear Wing-GT6 3 (OE) | 1 |
| | TS33AL | LH Rear Wing-GT6 3 (Copy) | 1 |
| 82 | TS20L | LH Rear Wing Repair-Front | 1 |
| | TS20R | RH Rear Wing Repair-Front | 1 |
| 83 | TS21L | LH Rear Wing Repair-Rear | 1 |
| | TS21R | RH Rear Wing Repair-Rear | 1 |
| 84 | 715821 | Finisher-Rear Wing Lower | 2 |
| 85 | 813893 | LH Boot Aperture Gutter-Spit 4/1500 (TS56L) | 1 |
| | 813894 | RH Boot Aperture Gutter-Spit 4/1500 (TS56R) | 1 |
| REAR WINGS-SPIT 1/2/3 & GT6 1/2 | | | |
| 91 | 576408 | LH Rear Wing-Spit 1/2/3 & GT6 1/2 (OE) | 1 |
| | 576409 | RH Rear Wing-Spit 1/2/3 & GT6 1/2 (OE) | 1 |
| 92 | TS20L | LH Rear Wing Repair-Front | 1 |
| | TS20R | RH Rear Wing Repair-Front | 1 |
| 93 | TS66L | LH Rear Wing Repair-Rear | 1 |
| | TS66R | RH Rear Wing Repair-Rear | 1 |
| 94 | 706600 | Finisher-Lower Rear Wing | 2 |
| 95 | 903099 | LH Boot Aperture Gutter-Spit 1/2/3 | 1 |
| | 903100 | RH Boot Aperture Gutter-Spit 1/2/3 | 1 |



| | | | |
|--------------|--------|--|---|
| DOORS | | | |
| 100 | 903448 | LH Door Shell-Spit 1/2 → ① | 1 |
| | 903449 | RH Door Shell-Spit 1/2 → ① | 1 |
| | 908025 | LH Door Shell-Spit 2 ① → 1/3 & GT6 1/2 | 1 |
| | 908026 | RH Door Shell-Spit 2 ① → 1/3 & GT6 1/2 | 1 |
| | 915361 | LH Door Shell-Spit 4/1500 & GT6 3 | 1 |
| | 915362 | RH Door Shell-Spit 4/1500 & GT6 3 | 1 |
| 101 | TS11L | LH Door Skin-Spit 1/2 → ① | 1 |
| | TS11R | RH Door Skin-Spit 1/2 → ① | 1 |
| | TS11AL | LH Door Skin-Spit 2 ① → 1/3 & GT6 1/2 | 1 |
| | TS11AR | RH Door Skin-Spit 2 ① → 1/3 & GT6 1/2 | 1 |
| | TS12L | LH Door Skin-Spit 4/1500 & GT6 3 | 1 |
| | TS12R | RH Door Skin-Spit 4/1500 & GT6 3 | 1 |



| | | | | |
|-----------------|----------|-----------------------------|---|-------|
| GT6 ROOF | | | | |
| 110 | 814628 | Finisher-Front Roof Lip | 1 | 11.00 |
| 111 | 909765RP | Roof Repair Panel (6" Deep) | 1 | 65.00 |

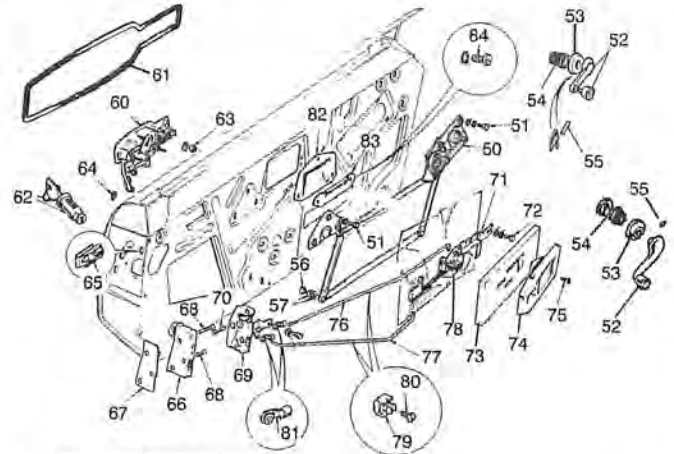
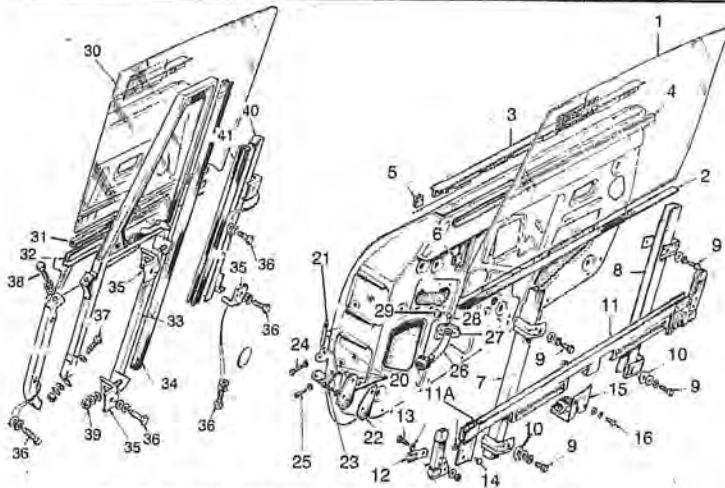


| | | | |
|-------------------------|------------------------------------|-------------------------------------|-----|
| CHASSIS | | | |
| CHASSIS ASSEMBLY | | | |
| 121 | TS26 | Front Cross Rail | 1 |
| 122 | 133868 | LH Pivot Bracket-Spit 1/2 & GT6 1 | 1 |
| | 133869 | RH Pivot Bracket-Spit 1/2 & GT6 1 | 1 |
| 123 | 134295 | Link Pivot Bracket-Spit 1/2 & GT6 1 | 1 |
| 124 | 147788 | RH Pivot Bracket-Spit 3 & GT6 2 | 1 |
| | 147789 | LH Pivot Bracket-Spit 3 & GT6 2 | 1 |
| 125 | 311594 | RH Pivot Box-Spit 4 & GT6 3 | 1 |
| | 311595 | LH Pivot Box-Spit 4 & GT6 3 | 1 |
| | RKC362 | RH Pivot Box-Spit 1500 | 1 |
| | RKC363 | LH Pivot Box-Spit 1500 | 1 |
| 127 | 209439 | RH Gusset-Spit 1/2/3 & GT6 1/2 | 1 |
| | 209440 | LH Gusset-Spit 1/2/3 & GT6 1/2 | 1 |
| | 218526 | RH Gusset-Spit 4/1500 & GT6 3 | 1 |
| | 218527 | LH Gusset-Spit 4/1500 & GT6 3 | 1 |
| 128 | 209398 | RH Front Outrigger | 1 |
| | 209399 | LH Front Outrigger | 1 |
| 130 | BODY MOUNTING KITS | | |
| | (INCLUDES ITEMS 131 TO 138) | | |
| | BMBK01 | Spitfire | 1 |
| | BMBK02 | GT6 | 1 |
| 131 | HB828C | Bolt/Nut/Washers-Frt O/Rigger Outer | 2 |
| 132 | HU810W | Set Bolt/Washers-Frt O/Rigger Inner | 2 |
| 133 | HB824W | Bolt/Washers-Floor Rein Box Outer | 2 |
| 134 | HB816W | Bolt/Washers-Floor Rein Box Inner | 2 |
| 135 | HB828W | Bolt/Washers-Heelboard Crossmember | 2 |
| 136 | HB912W | Bolt/Washers-Upper Rear Seat Pan | 2 |
| 137 | 613178 | Body Mounting Pad (Alloy) | 4 |
| 138 | 621101 | Body Mounting Pad-Seat Belt Mntg | 2 |
| | 621101 | Body Mounting Pad | 4 |
| | ** GT6 ONLY on Bolts 135 & 136 ** | | |
| 140 | 305746 | RH Suspension Turret | 1 |
| | 305747 | LH Suspension Turret | 1 |
| 141 | 129650 | Tapped Plate | 4 |
| 142 | HU908 | Bolt | 4 |
| 143 | 118977 | Lock Washer | 4 |
| 144 | 123203 | Stiffener Plate | 4 |
| 145 | HU909W | Set Bolt/Washer | 2 |
| 146 | 128356 | Shim-Turret to Chassis | A/R |

FOOTNOTES

→ ① = Upto (b) 56778FC Spit 1/2 Crank Type Exterior Handles
 ① → = From (b) 56779FC Spit 2 Push Bottom Exterior Handles

DOOR COMPONENTS - SPIT & GT6



DOOR GLASS, CHANNELS, SEALS & MOUNTINGS

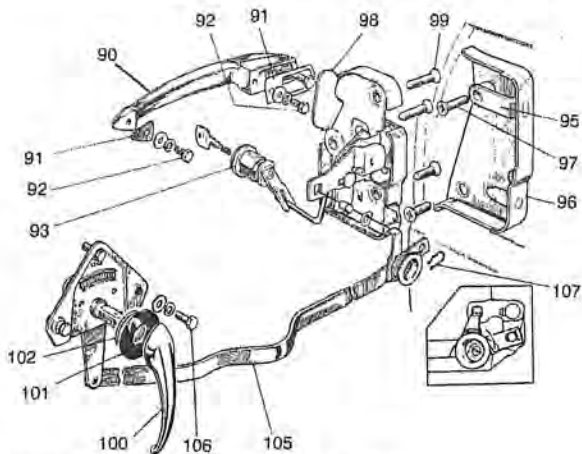
| | | | |
|-----|---|---|-----|
| 1 | WKC4647 | Door Glass-Spit 4/1500 | 2 |
| | 806866 | Door Glass-Spit 1/2/3 | 2 |
| 2 | 613417 | Seal-Door Glass to Channel | 2 |
| 3 | 612792 | Exterior Weatherstrip | 2 |
| 4 | 612806 | Interior Weatherstrip | 2 |
| 5 | 613169 | Clip-Exterior Weatherstrip | 14 |
| 6 | GHF1582 | Clip-Interior Weatherstrip | 10 |
| 7 | 706781 | LH Front Channel | 1 |
| | 706782 | RH Front Channel | 1 |
| 8 | REAR CHANNEL | | |
| | 709387 | LH -Spit 2 ① →/3/4/1500 | 1 |
| | 709388 | RH -Spit 2 ① →/3/4/1500 | 1 |
| | 706785 | LH -Spit 1/2 → ① | 1 |
| | 706786 | RH -Spit 1/2 → ① | 1 |
| 9 | HU705W | Bolt & Washers-Frt/Rear Channel to Door | 4 |
| 10 | WP122 | Spacing Washer-Frt/Rear Channel Lower | 4 |
| 11 | 706789 | LH Lower Glass Channel Assembly | 1 |
| | 706790 | RH Lower Glass Channel Assembly | 1 |
| 11A | TS57L | LH Lower Glass Channel Repair | 1 |
| | TS57R | RH Low er Glass Channel Repair | 1 |
| | ** Channel Only, Ends need to be reused ** | | |
| 12 | 613326 | Spacing Block-Glass Channel | 4 |
| 13 | 613049C | Bolt/Nut & Washers-Glass Channel | 4 |
| 14 | 511568 | Rivet-Glass Channel | 4 |
| 15 | 613378 | Bottom Regulator Stop | 2 |
| 16 | HU504W | Bolt & Washers | 4 |
| 20 | 607824 | Door Hinge Assembly | 4 |
| 21 | 607823 | Door Hinge Pin | 4 |
| 22 | 610042 | Gasket-Hinge to Body | 4 |
| 23 | HU807W | Bolt & Washer-Hinge to Body | 12 |
| 24 | HU807W | Bolt & Washer-Hinge to Door | 8 |
| 25 | KX4806P | Screw-Hinge to Door | 4 |
| 26 | 613024 | Door Check Strap | 2 |
| 27 | 602821 | Seal-Door Check Strap | 2 |
| 28 | 613239K | Pin Kit-Check Strap to Door (Alt) | 2 |
| 29 | 553121 | Clip-Check Strap Seal Retaining | 4 |
| | DOOR GLASS FITTINGS-GT6 PECULIAR PARTS | | |
| 30 | 810041 | LH/RH Door Glass-Clear | 1pr |
| | 820545/6 | LH/RH Door Glass-Tinted | 1pr |
| 31 | 617164 | Seal-Door Glass to Glass Channel | 2 |
| 32 | 713035 | Lower Glass Channel | 2 |
| 33 | 810312 | LH 1/4 Lite Assembly-Chrome | 1 |
| | 810313 | RH 1/4 Lite Assembly-Chrome | 1 |
| | 820420 | LH 1/4 Lite Assembly-S/Steel (Clear) | 1 |
| | 820421 | RH 1/4 Lite Assembly-S/Steel (Clear) | 1 |
| 34 | 710651 | Channel Felt-1/4 Lite | 2 |
| 35 | 619242 | Angle Bracket | 6 |
| 36 | HU705W | Bolt & Washers | 14 |
| 37 | HU706C | Bolt/Nut & Washers | 2 |
| 38 | PX707W | Screw & Washers | 2 |
| 39 | HN2007W | Nut & Washers | 2 |
| 40 | 710194 | LH Rear Glass Channel | 1 |
| | 710195 | RH Rear Glass Channel | 1 |
| 41 | 710650 | Channel Felt-Rear Glass Channel | 2 |
| | WINDER MECHANISH-SPIT/GT6 | | |
| 50 | 806036 | LH Window Regulator-Spit 1/2/3 | 1 |
| | 806037 | RH Window Regulator-Spit 1/2/3 | 1 |
| | 911271 | LH Window Regulator-Spit 4/1500 | 1 |
| | 911272 | RH Window Regulator-Spit 4/1500 | 1 |
| | 810400 | LH Window Regulator-GT6 3 | 1 |
| | 810401 | RH Window Regulator-GT6 3 | 1 |
| 51 | HU704W | Bolt & Washers-Regulator Fixing | 14 |

| | | | |
|-----|--|--------------------------------------|-----|
| 52 | WINDOW WINDER HANDLE | | |
| | 621811 | Spit 4/1500 & GT6 1/2 | 2 |
| | 613017 | Spit 1/2/3 & GT6 1 | 2 |
| 53 | ESCUTCHEON-WINDOW WINDER HANDLE | | |
| | 623843 | Spit 4/1500 & GT6 2/3 | 2 |
| | 650261 | Spit 1/2/3 & GT6 1 | 2 |
| | 606002 | Spring-Window Winder Handle (603382) | 2 |
| | 55 600832 | Pin-Window Winder Handle (ALH1527) | 2 |
| | 56 607867 | Clip-Glass Channel to Regulator | 4 |
| | 57 607902 | Washer-Glass Channel to Regulator | 8 |
| | LOCKS & HANDLES-SPIT 4/1500 & GT6 3 | | |
| 60 | EXTERIOR DOOR HANDLES | | |
| | 915633 | LH Chrome-Spit 4 & GT6 3 | 1 |
| | 915634 | RH Chrome-Spit 4 & GT6 3 | 1 |
| | 915633/3 | Pair Chrome-Spit 4/1500 & GT6 3 | 1pr |
| | YKC2837 | LH Black-Spit 1500 | 1 |
| | YKC2838 | RH Black-Spit 1500 | 1 |
| | YKC2837/8 | Pair Black-Spit 4 1500 | 1pr |
| 61 | 577473 | Gasket-Exterior Door Handle | 2 |
| 62 | 576469 | Lock Barrel & Keys | 1 |
| | 576469P | Lock Barrel & Keys (Paired) | 1 |
| 63 | TN3205W | Nut & Washer-Exterior Handle Fixing | 4 |
| 64 | 576157 | Clip-Exterior Handle to Latch | 2 |
| 65 | FQ3405/4 | Nut & Clip-Latch to Door | 2 |
| 66 | CZA3310 | Striker Plate RH | 1 |
| | CZA3311 | Striker Plate LH | 1 |
| 67 | 621714 | Shim-Sticker Plate to B Post | 2 |
| 68 | ZKC38 | Screw-Striker Plate (Short) | 4 |
| | ZKC37 | Screw-Striker Plate (Long) | 2 |
| 69 | 914695 | LH Door Latch | 1 |
| | 914696 | RH Door Latch | 1 |
| 70 | ZKC36 | Screw-Door Latch | 6 |
| 71 | 819801 | LH Interior Door Handle Assembly | 1 |
| | 819802 | RH Interior Door Handle Assembly | 1 |
| 71A | 819801RP | LH Interior Door Handle Repair | 1 |
| | 819802RP | RH Interior Door Handle Repair | 1 |
| 72 | HU704W | Bolt & Washers | 6 |
| 73 | 632104 | Foam-Interior Handle Seating | 2 |
| 74 | 819803 | LH Bezel Interior Door Handle | 1 |
| | 819804 | RH Bezel Interior Door Handle | 1 |
| 75 | 509278 | Screw-Interior Handle Bezel | 2 |
| 76 | 819809 | Operating Rod-Upper | 2 |
| 77 | 819807 | LH Locking Rod | 1 |
| | 819808 | RH Locking Rod | 1 |
| 78 | 937609 | Bush & Clip-Locking Rod to Handle | 2 |
| 79 | 364480 | Guide-Operating & Locking Rods | 4 |
| 80 | 577064 | Screw-Guide Fixing | 4 |
| 81 | GHF1180 | Bush & Clip-76 & 77 to Latch | 4 |
| 82 | 716011 | Backing-Door Pull | 2 |
| 83 | 624634 | Finisher-Door Pull | 2 |
| 84 | PT504W | Screw & Washer-Door Pull to Door | 4 |

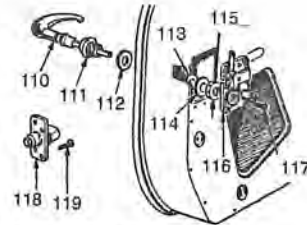
FOOTNOTES

- ① = Upto (b) 56578FC Spit 1/2 Crank Type Door Handles
- ① → = From (b) 56579FC Spit 2 Push Button Type Door Handles
- ② = Upto (b) 24042FD Spit 3
- ② → = From (b) 24043FD Spit 3
- ③ = Upto (b) 21736KC GT6 1/2
- ③ → = From (b) 21737KC GT6 1/2

DOOR COMPONENTS & WINDSCREEN COMPONENTS-SPIT/GT6



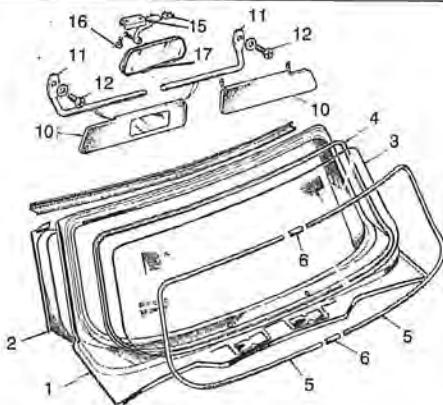
| LOCKS & HANDLES-SPIT 2 ① →/3 & GT6 1/2 | | | |
|--|----------|--|-----|
| 90 | 709386 | Exterior Door Handle (Push Button) | 2 |
| 91 | 617402/3 | Gasket-Exterior Door Handle | 2pr |
| 92 | HU504W | Screw & Washers-Exterior Handle Fixing | 4 |
| 93 | 621773 | Door Lock Barrel & Keys | 2 |
| | 621773P | Door Lock Barrel & Keys (Pair) | 1 |
| STRIKER PLATES | | | |
| 95 | 618342 | LH -Spit 2/3 → ② & GT6 → ③ | 1 |
| | 618343 | RH -Spit 2/3 → ② & GT6 → ③ | 1 |
| | CZA3311 | LH -Spit 3 ② → & GT6 ③ → | 1 |
| | CZA3310 | RH -Spit 3 ② → & GT6 ③ → | 1 |
| PACKING SHIM-STRIKER PLATE | | | |
| 96 | 619076 | Spit 2/3 → ② & GT6 → ③ | 2 |
| | 621714 | Spit 3 ② → & GT6 ③ → | 2 |
| 97 | ZKC37 | Screw-Striker Plate (Long) | 2 |
| | ZKC38 | Screw-Striker Plate (Short) | 4 |
| DOOR LATCHES | | | |
| 98 | 810291 | LH -Spit 2/3 → ② & GT6 → ③ | 1 |
| | 810292 | RH -Spit 2/3 → ② & GT6 → ③ | 1 |
| | 907177 | LH -Spit 3 ② → & GT6 ③ → | 1 |
| | 907178 | RH -Spit 3 ② → & GT6 ③ → | 1 |
| 99 | ZKC36 | Screw-Door Latch | 6 |



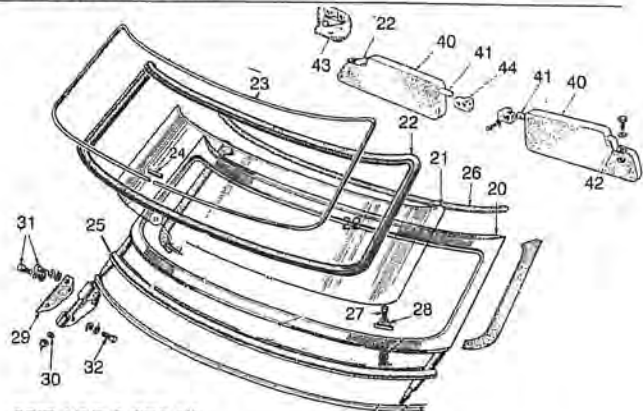
| 100 INTERIOR DOOR HANDLE | | | |
|-------------------------------------|---------------------------------------|---------------------------------------|---|
| | 608454 | Spit 2/3 & GT6 1 | 2 |
| | 621770 | GT6 2 | 2 |
| 101 ESCUTCHEON-INTERIOR DOOR HANDLE | | | |
| | 623843 | Spit 4/1500 & GT6 2/3 | 2 |
| | 650261 | Spit 1/2/3 & GT6 1 | 2 |
| 102 | 606002 | Spring-Interior Door Handle (603382) | 2 |
| 103 | 608832 | Pin-Interior Door Handle (ALH1527) | 2 |
| 105 REMOTE CONTROL MECHANISM | | | |
| | 618277 | LH -Spit 2/3 → ② & GT6 → ③ | 1 |
| | 618278 | RH -Spit 2/3 → ② & GT6 → ③ | 1 |
| | 714650 | LH -Spit 3 ② → & GT6 ③ → | 1 |
| | 714651 | RH -Spit 3 ② → & GT6 ③ → | 1 |
| 106 | HU503W | Bolt & Washers-Remote Control Fixing | 6 |
| 107 | 608703K | Clip & Washer-Remote Control to Latch | 2 |
| LOCKS & HANDLES-SPIT 1/2 → ① | | | |
| 110 → 119 | All parts are currently Not Available | | |

FOOTNOTES

- ① = Upto (b) 56578FC Spit 1/2 Crank Type Door Handles
- ① → = From (b) 56579FC Spit 2 Push Button Type Door Handles
- ② = Upto (b) 24042FD Spit 3
- ② → = From (b) 24043FD Spit 3
- ③ = Upto (b) 21736KC GT6 1/2 ??
- ③ → = From (b) 21737KC GT6 1/2 ??



| WINDSCREEN COMPONENTS | | | |
|-----------------------|----------------------|--|--------------|
| SPIT 4/1500 & GT6 3 | | | |
| 1 | 815937 | Windscreen Frame Panel-Spitfire | 1 |
| | 815396 | Windscreen Frame Panel-GT6 | 1 |
| 2 | 815015 | LH Rain Gutter Repair-Screen Frame | 1 |
| | 815016 | RH Rain Gutter Repair-Screen Frame | 1 |
| 3 | WKC4787 | Windscreen Glass (Clear Laminated) | 1 |
| | 917669 | Windscreen Glass (Syndym Laminated) | 1 |
| | 917669B | Windscreen Glass (Tinted Laminated) | 1 |
| 4 | 909029 | Screen Glazing Rubber | 1 |
| 5 | 917248 | LH Screen Finisher (Plastic) | 1 |
| | 917249 | RH Screen Finisher (Plastic) | 1 |
| 6 | ZKC2099 | Clip-Screen Finisher (Plastic) | 2 |
| 10 | 823381 | Sunvisor (Black)-RH (Drivers) | 1 |
| | 823311 | Sunvisor (Black)-LH (Passanger) | 1 |
| | 815384 | Sunvisor (White)-RH (Drivers) → ② | 1 use 823381 |
| | 815344 | Sunvisor (White)-LH (Passanger) → ② | 1 use 823311 |
| 11 | 630932 | LH Sunvisor Mounting Bracket | 2 |
| | 630933 | RH Sunvisor Mounting Bracket | 2 |
| 12 | PX504W | Screw & Washer-ountin Brackets | 4 |
| 15 | RTC1006 | Mirror Mounting Plinth | 1 |
| 16 | 512461 | Screw-Mirror Mounting Plinth | 2 |
| 17 | 632091 | Mirror Head Only (Dipping) | 1 |
| | ** Not Screw Type ** | | |
| 18 | 832095 | Complete Rear View Mirror Assembly (Dipping) | 1 |

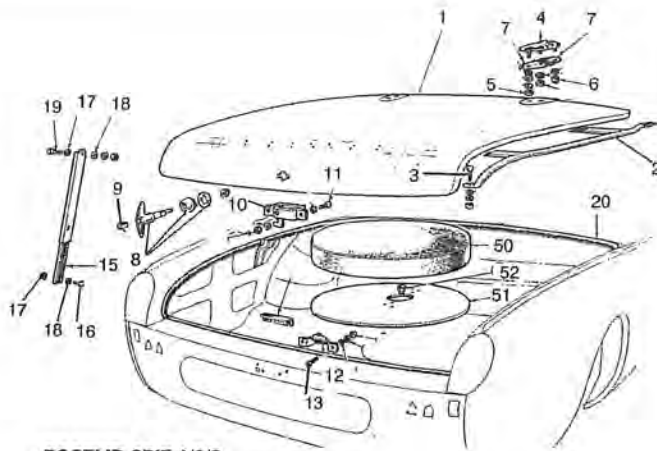


| SPIT 1/2/3 & GT6 1/2 | | | |
|--|--------------------------------|---------------------------------------|---|
| 20 | Screen Frame Assembly-Spitfire | | 1 |
| | Screen Frame Assembly-GT6 | | 1 |
| 21 | 902367 | Windscreen Glass (Laminated) | 1 |
| 22 | 913442 | Screen Glazing Rubber | 1 |
| 23 | 613954 | Screen Finisher (Plastic) | 1 |
| 24 | 611437 | Clip-Screen Finisher | 1 |
| 25 | 650130 | Seal-Screen Frame to Body | 1 |
| 26 | 806144 | Seal Screen Frame to Roof-GT6 | 1 |
| | 806144 | Seal Screen Frame to Hardtop-Spit | 1 |
| 27 | 611640 | Bolt/Nut & Washers-Screen Frame | 3 |
| 28 | 611669 | Alloy Cover-Screen Frame Bolt | 3 |
| 29 | 650313 | Packing Screen Frame-Spitfire | 2 |
| 30 | TN9208 | Nut-Screen Frame to Bracket-Spit | 2 |
| 31 | HU708W | Bolt & Washers A Post to Bracket-Spit | 4 |
| 32 | HB710W | Bolt & Washers Bracket to A Post-Spit | 2 |
| SUNVISORS-SPIT 3 ① → & GT6 2 | | | |
| 40 | 813589 | Sunvisor (White)-Drivers | 1 |
| | 813619 | Sunvisor (White)-Passanger RHD | 1 |
| | 812711 | Sunvisor (Black)-Drivers | 1 |
| | 812741 | Sunvisor (Black)-Passanger RHD | 1 |
| 41 | 812760 | Visor Mounting Rod Inner | 2 |
| 42 | 812761 | LH Visor Mounting Rod Outer | 1 |
| | 812762 | RH Visor Mounting Rod Outer | 1 |
| 43 | 812684 | LH Visor Mounting Bracket | 1 |
| | 812685 | RH Visor Mounting Bracket | 1 |
| 44 | 622431 | Clip-Visor Retaining Inner | 2 |
| **For Earlier Sunvisor Parts Please Enquire ** | | | |

FOOTNOTES

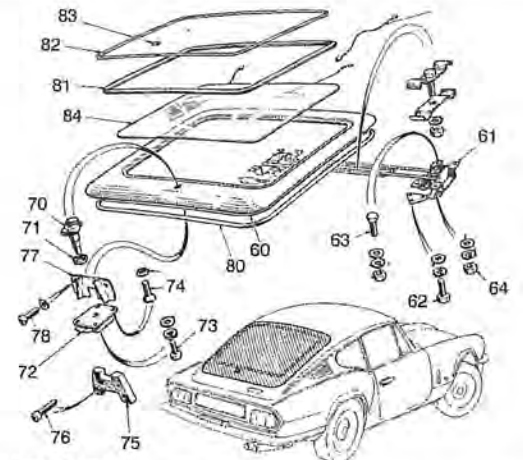
- ① → = From (c) FD13981 Spit 3
- ② = Upto (c) KE20000 GT6 3
- ② → = From (c) KE20001 GT6 3

BOOTLIDS, TAILGATE & ENGINE VALANCES-SPIT/G



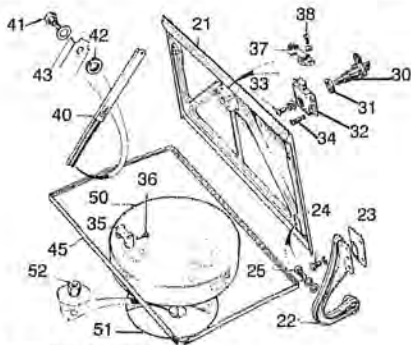
BOOTLID-SPIT 1/2/3

| | | | |
|--------|----------|-------------------------------------|-----|
| 1 | 574400 | Bootlid (Steel) | 1 |
| | 574400FG | Bootlid (Fibreglass) | 1 |
| 2 | 806831 | Frame-Bootlid | 1 |
| 3 | HU708C | Bolt/Nut & Washers-Frame to Bootlid | 2 |
| 4 | 604917/B | Boot Lid Hinges (PAIRS ONLY) | 1pr |
| 5 | HN2007W | Nut & Washers-Hinge to Bootlid | 4 |
| 6 | YN2908W | Nut & Washer-Hinge to Body | 2 |
| 7 | 603212/3 | Gasket-Hinge to Body & Bootlid | 2pr |
| 8 | 613502 | Boot Lock Handle Assembly | 1 |
| 9 | 557045 | Barrel & Key fo 613502 | 1 |
| 10 | 611096 | Boot Latch | 1 |
| 11 | PX504C | Screw/Nut & Washers-Boot Latch | 2 |
| 12 | 611135 | Catch Plate-Boot Latch | 1 |
| 13 | PX504C | Screw/Nut & Washers-Catch Plate | 2 |
| 15 | 612473 | Boot Lid Stay | 1 |
| 16 | 612475 | Shouldered Bolt-Stay to Body | 1 |
| 17 | WD159 | Coil Washer | 1 |
| 18 | WP179 | Plain Washer | 2 |
| 19 | 612474C | Bolt & Nut-Stay to Boot Lid | 1 |
| 20 | 611443 | Boot Seal (OE Section Glues On) | 1 |
| | ZKC3442 | Boot Seal (Later Push on Type) | 1 |
| 50/1/2 | | See Spit4/1500 Bootlid | |



GT6 TAILGATE

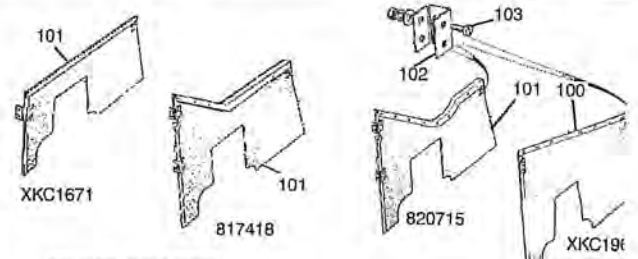
| | | | |
|----|----------|--------------------------------------|-----|
| 60 | 809405 | Tailgate Assembly (Steel) | 1 |
| 61 | 709300/1 | Hinge Assembly-GT6 1 | 1pr |
| | 625608/9 | Hinge Assembly-GT6 2/3 | 1pr |
| 62 | HB708W | Bolt & Washers-Hinge to Tailgate | 6 |
| 63 | HB708C | Bolt/Nut & Washers-Hinge to Body | 4 |
| 64 | HN2007W | Nut & Washers-Hinge to Body | 4 |
| 70 | 710497 | Boot Lock Handle-GT6 1/2 | 1 |
| | 722676B | Boot Lock Handle-GT6 3 (No Cover) | 1 |
| 71 | 624729 | Gasket-Handle to Bootlid | 1 |
| 72 | 710290 | Boot Latch | 1 |
| 73 | 576156W | Screw & Washer-Boot Latch to Lock | 1 |
| 74 | KX4505W | Screw & Washer-Boot Latch to Bootlid | 4 |
| 75 | 619383 | Striker Block | 1 |
| 76 | CX2506 | Screw-Striker Block | 2 |
| 77 | 619384 | Guide-Boot Latch | 1 |
| 78 | PX505W | Screw & Washer-Boot Latch Guide | 2 |
| 80 | ZKC3442 | Tailgate Seal (Push on Type) | 1 |
| 81 | 904487 | Glazing Rubber-GT6 Tailgate | 1 |
| 82 | 613955 | Finisher-Tailgate Glazing Rubber | 1 |
| 83 | 611437 | Finisher Clip | 1 |
| 84 | | Tailgate Glass-All GT6 | 1 |



BOOTLID-SPIT 4/1500

| | | | |
|----|----------|--------------------------------------|-----|
| 21 | 911327 | Bootlid (Steel) | 1 |
| | 911327FG | Bootlid (Fibreglass) | 1 |
| 22 | 715526 | RH Boot Hinge | 1 |
| | YKC1355 | LH Boot Hinge | 1 |
| 23 | 630767 | Gasket-Hinge to Bootlid | A/R |
| 24 | HU805W | Bolt & Washer-Hinge to Bootlid | 6 |
| 25 | HU805W | Bolt & Washer-Hinge to Body | 4 |
| 30 | 722675 | Boot Lock Handle (OE with Cover) | 1 |
| | 722675B | Boot Lock Handle (No Cover) | 1 |
| 31 | 624729 | Gasket-Handle to Bootlid | 1 |
| 32 | 710290 | Boot Latch | 1 |
| 33 | 576156W | Screw & Washer-Boot Latch to Lock | 1 |
| 34 | KX4505W | Screw & Washer-Boot Latch to Bootlid | 4 |
| 35 | 619383 | Striker Block | 1 |
| 36 | CX2506 | Screw-Striker Block | 2 |
| 37 | 619384 | Guide-Boot Latch | 1 |
| 38 | PX505W | Screw & Washer-Boot Latch Guide | 2 |
| 40 | 612473 | Boot Stay | 1 |
| 41 | 612475 | Shouldered Bolt-Boot Stay | 2 |
| 42 | WD159 | Coil Washer | 2 |
| 43 | WP179 | Plain Washer | 2 |
| 45 | ZKC3442 | Boot Seal (Push on Type) | 1 |
| 50 | 717601 | Cover-Spare Wheel | 1 |
| 51 | 705807 | Board-Spare Wheel | 1 |
| 52 | 113087 | Nut-Spare Wheel Fixing | 1 |

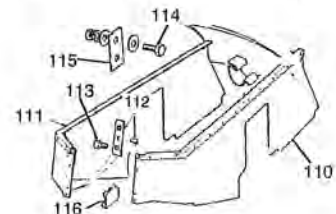
** Items 50/1/2 are not suitable for Wire Wheels **



ENGINE VALANCES

SPITFIRE

| | | | |
|-----|---------|---|-----|
| 100 | XKC1966 | LH Engine Valance | 1 |
| 101 | XKC1671 | RH Engine Valance-Spit 1500 | 1 |
| | 820715 | RH Engine Valance-Spit 4 | 1 |
| | 817418 | RH Engine Valance-Spit 1/2/3 | 1 |
| | | ** 615706K Brackets are supplied with Valances but not fitted * | |
| 102 | 615706K | Angle Bracket & Plate | 5/6 |
| 103 | PT504C | Screw/Nut & Washers-Valance Fitting | A/R |

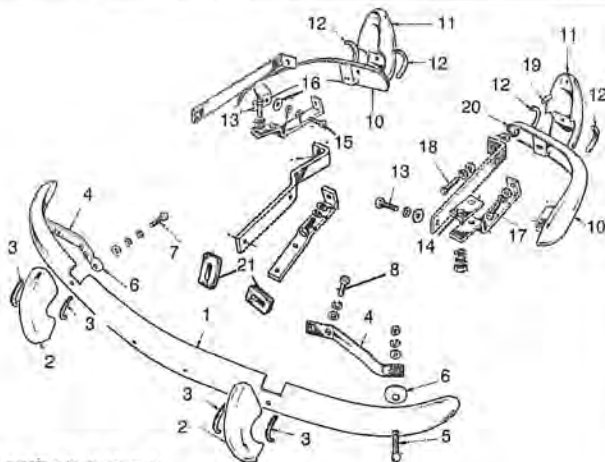


GT6

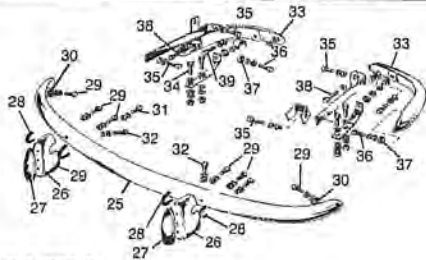
| | | | |
|-----|---------|---------------------------------------|---|
| 110 | 910045 | LH Engine Valance | 1 |
| 111 | 905222 | RH Engine Valance | 1 |
| 112 | 573948 | Double Fixing Plate-Valance & Cowl | 2 |
| | 573948A | Fixing Plate-Valance & Cowl (ALT) | 4 |
| 113 | YH6506 | Screw-Valance & Cowl to Rad | 4 |
| 114 | HU505C | Bolt/Nut & Washer-Valance to Bulkhead | 4 |
| 115 | 615699 | Plate-Valance to Bulkhead | 2 |
| 116 | 619822 | Edge Clip-Valance to Chassis | 4 |

** For Radiator Cowl Details see Page 14 **

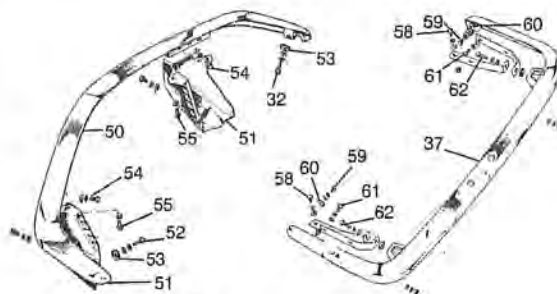
BUMPERS & FINISHERS - SPIT & GT6



| SPIT 1/2 & GT6 1 | | | |
|------------------|---------|---|-----|
| 1 | 806956E | Front Bumper (Rechromed) | 1 |
| | | **SURCHARGE on Front Bumper | 1 |
| | 806956 | Front Bumper (New) | 1 |
| 2 | 706605E | Front Overrider LH-Spit 1/2 (Recon) | 1 |
| | 706606E | Front Overrider RH-Spit 1/2 (Recon) | 1 |
| | 710716E | Front Overrider LH-GT6 1 (Recon) | 1 |
| | 710717E | Front Overrider RH-GT6 1 (Recon) | 1 |
| | | **SURCHARGE on Front Overriders | 1 |
| 3 | 552218 | Moulding-O/Rider to Bumper | 4 |
| 4 | 613501 | Front Bumper Iron-Spit 1/2 | 2 |
| | 710705 | Front Bumper Iron LH-GT6 1 | 1 |
| | 710706 | Front Bumper Iron RH-GT6 1 | 1 |
| 5 | 557400 | Bumper Bolt & Nut | 2 |
| 6 | 607085 | Packing Piece | 4 |
| 7 | HB817W | Bolt & Washers-Overrider | 2 |
| 8 | HU807W | Bolt & Washers-Bumper Iron | 4 |
| 10 | 806900E | Rear Corner Bumper LH (Recon) | 1 |
| | 806901E | Rear Corner Bumper RH (Recon) | 1 |
| | | **SURCHARGE on Corner Bumpers | 1 |
| 11 | 706853E | Rear Overrider LH (Recon) | 1 |
| | 706854E | Rear Overrider RH (Recon) | 1 |
| | | **SURCHARGE on Rear Overriders | 1 |
| 12 | 552218 | Moulding-Overrider to Bumper | 4 |
| 13 | HU908W | Bolt/Washers-Spring Bars to Body | 8/6 |
| 14 | 618410 | Plate & Stud Assembly **GT6 Only** | 1 |
| 15 | HU806W | Bolt & Washers Rear Bumper Side Fixing | 2 |
| 16 | 610152 | Rubber Washer | 2 |
| 17 | HB820W | Bolt & Washers O/Rider Lower | 2 |
| 18 | HU808W | Bolt & Washers O/Rider Upper-Spit 1 → ① | 2 |
| | HB829W | Bolt & Washers O/Rider Upper-Spit 1 ① →/2 & GT6 1 | 2 |
| 19 | 615710 | Distance Tube-Spit 1 ① →/2 & GT6 1 | 2 |
| 20 | 602037 | Grommet-Spit 1 ① →/2 & GT6 1 | 2 |
| 21 | 612620 | LH Grommet Upper & Lower-Spit 1 → ① | 2 |
| | 612621 | RH Grommet Upper & Lower-Spit 1 → ① | 2 |



| SPIT 3 & GT6 2 | | | |
|----------------|---------|---|---|
| 25 | 811680E | Front Bumper (Recon) | 1 |
| | | **SURCHARGE on Front Bumper | 1 |
| | 811680 | Front Bumper (New) | 1 |
| 26 | 712705E | Front Overrider LH (Recon) | 1 |
| | 712706E | Front Overrider RH (Recon) | 1 |
| | | **SURCHARGE on Front Overrider | 1 |
| 27 | 709753 | Rubber Buffer-Front Overrider | 2 |
| 28 | 552218 | Moulding-Overrider to Bumper | 4 |
| 29 | HU806W | Bolt & Washers | 6 |
| 30 | 615829 | Rubber Washer | 2 |
| 31 | HU906W | Bolt & Washers-Frt O/Rider Lower | 2 |
| 32 | HU907W | Bolt & Washers-Frt O/Rider Upper | 2 |
| 33 | 811476E | Rear Corner Bumper LH (Recon) | 1 |
| | 811477E | Rear Corner Bumper RH (Recon) | 1 |
| | | **SURCHARGE on Rear Corner Bumper | 1 |
| 34 | HU908C | Bolt/Nut & Washers-Spring Bar to Boot Floor | 4 |
| 35 | HU908W | Bolt & Washers-Spring Bar to Inner Wing | 4 |
| 36 | HU806W | Bolt & Washers-Rear Bumper Side Fixing | 2 |
| 37 | 608854 | Rubber Washer | 4 |
| 38 | HU914C | Bolt/Nut & Washers-Spring Bar to Bracket | 2 |
| 39 | HU808W | Bolt & Washers-Bracket to Bumper | 2 |



| SPIT 4/1500 & GT6 3 | | | |
|---------------------|----------|---|---|
| 50 | WKC2543E | Front Bumper (Recon) | 1 |
| | | **Surcharge on Recon Front Bumper** | 1 |
| | WKC2543 | Front Bumper (New) | 1 |
| 51 | 815277 | Front Underrider LH (OE) | 1 |
| | 815278 | Front Underrider RH (OE) | 1 |
| | 815277FG | Front Underrider LH (Fibreglass) | 1 |
| | 815278FG | Front Underrider RH (Fibreglass) | 1 |
| 52 | HU909W | Bolt & Washers-Bumper End Fixing | 2 |
| 53 | 813190 | Rubber Washer | 2 |
| 54 | HU907W | Bolt & Washers-Bumper Centre Fixing | 2 |
| 55 | HU707W | Bolt & Washers-Underrider to Bumper | 4 |
| 56 | HU705W | Bolt & Washers-Underrider to Pivot Box | 2 |
| 57 | 914698E | Rear Bumper(Recon)-Spit 4/1500→②/GT6 3 | 1 |
| | WKC3954E | Rear Bumper (Recon)-Spit 1500 ② → | 1 |
| | | **Surcharge on Recon Rear Bumpers** | 1 |
| | 914698 | Rear Bumper (New)-Spit 4/1500→②/GT6 3 | 1 |
| | WKC3954 | Rear Bumper (New)-Spit 1500 ② → | 1 |
| 58 | HU908C | Bolt/Nut & Washers-Spring Bar to Boot Floor | 4 |
| 59 | HU806W | Bolt & Washers-Bumper End Fixing | 2 |
| 60 | 631190 | Rubber Washer | 4 |
| 61 | HU908W | Bolt & Washers-Spring Bar to Inner Wing | 4 |
| 62 | HU912C | Bolt/Nut & Washers-Bumper Centre Fixing | 2 |

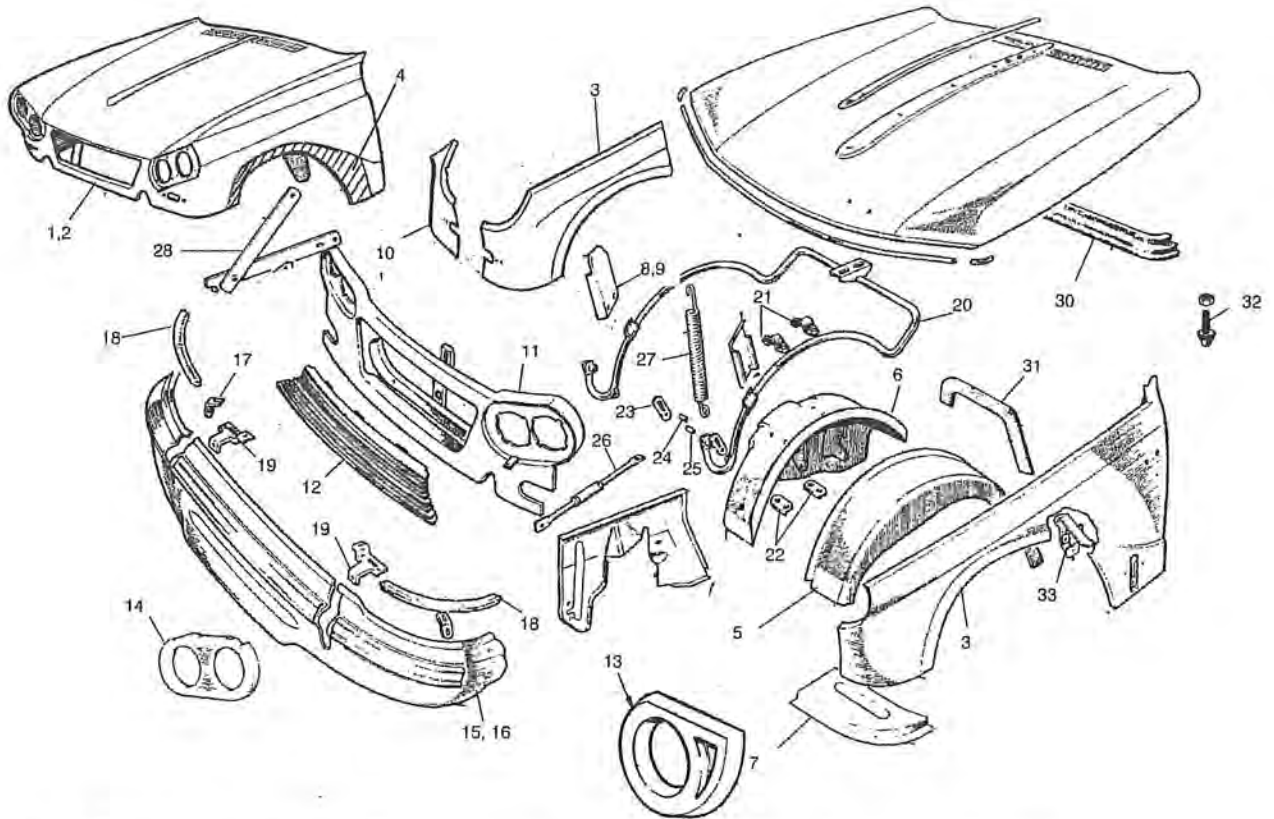
FINISHERS

| SPIT 1/2/3 & GT6 2 | | | |
|-------------------------|----------|---|------|
| 70 | 706556 | Front Wing Finisher | 2 |
| 71 | 706557 | Rear Wing Finisher-Spit 1 | 2 |
| | 707319 | Rear Wing Finisher-Spit 2/3 | 2 |
| 72 | 613766 | Clip-Intermediate | 32 |
| 73 | 613886 | Clip-Finisher Ends | 8 |
| GT6 1 (NOT ILLUSTRATED) | | | |
| 75 | 710086 | Front Wing Finisher | 2 |
| 76 | 710686 | Rear Wing Finisher LH | 1 |
| | 710687 | Rear Wing Finisher RH | 1 |
| 77 | 614107 | Finisher Clip | 40 |
| SPIT 4/1500 & GT6 3 | | | |
| 80 | 715693 | Rear Wing Finisher(Chrome)-Spit 4 & GT6 3 | 2 |
| | 715693B | Rear Wing Finisher(Black)-Spit 1500 | 2 |
| 81 | 613766 | Clip-Intermediate | 18 |
| 82 | 613886 | Clip-Finisher Ends | 4 |
| 83 | 715695 | Upper Finisher(Chrome)-Spit 4 | 1 |
| | 715696 | Upper Finisher(Chrome)-GT6 3 | 1 |
| | YKC3778 | Upper Finisher(Black)-Spit 1500 | 2 |
| | ZKC3735 | End Cap (Black) for YKC3778 | 2 |
| 84 | 715697 | Lower Finisher(Chrome)-Spit 4 & GT6 3 | 1 |
| | YKC1325 | Lower Finisher(Black)-Spit 1500 | 1 |
| 85 | GHF1154 | Clip-Upper & Lower Finishers | 14 |
| 86 | 815041 | LH Lamp Finisher(Chrome)-Spit 4 | 1 |
| | 815042 | RH Lamp Finisher(Chrome)-Spit 4 | 1 |
| | 815042 | LH Lamp Finisher(Chrome)-GT6 3 | 1 |
| | 815043 | RH Lamp Finisher(Chrome)-GT6 3 | 1 |
| | XKC1502 | LH Lamp Finisher(Black)-Spit 1500 | 1 |
| | XKC1503 | RH Lamp Finisher(Black)-Spit 1500 | 1 |
| 87 | 613886 | Clip-Rear Lamp Finishers | 8 |
| 90 | 911106 | Screen Capping-Spit 4/1500 | 1 |
| | 806189 | Screen Capping-Spit 1/2 | 1 |
| | 808231 | Screen Capping-Spit 3 Toggle Catches | 1 |
| | 714429 | Screen Capping-Spit 3 Lever Catches | 1 |
| 91 | 554407 | Rivet-Screen Capping | 9/11 |
| 92 | 612976 | Grommet-Screen Capping | 2 |
| 95 | 815137 | B Post Capping LH-Spit 4/1500 | 1 |
| | 815138 | B Post Capping RH-Spit 4/1500 | 1 |
| | 615691 | B Post Capping LH-Spit 1/2/3 | 1 |
| | 615692 | B Post Capping RH-Spit 1/2/3 | 1 |
| 96 | AD608053 | Screw-B Post Capping | 2 |

FOOTNOTES

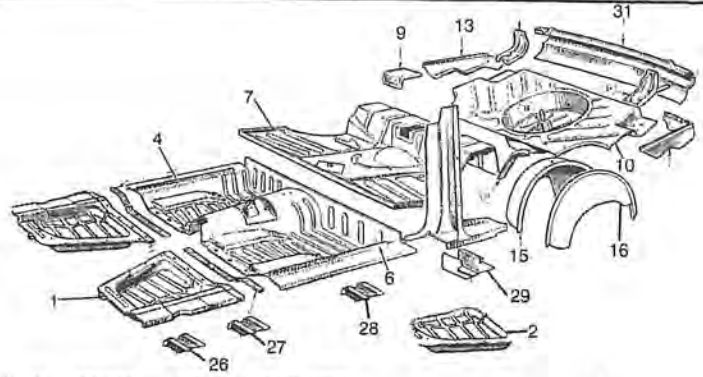
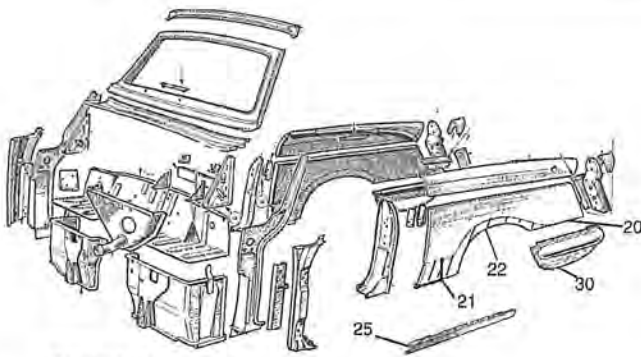
- ② = Upto (c) FH116000 Spit 1500 Single No Plate Lamp
- ② → = From (c) FH116001 Spit 1500 Twin No Plate Lamps
- ① = Upto (b) 14196FC Early Spit 1
- ① → = From (b) 14197FC Later Spit 1

BONNET - HERALD & VITESSE



| | | | | | |
|----|---|----|--|--|--|
| 1 | BONNET ASSEMBLY(STEEL)-ALL MODELS | 1 | | | |
| 2 | BONNET ASSEMBLY (GRP) | 1 | | | |
| | BNT-07 Her 948/1200/1250 | 1 | | | |
| | BNT-08 Her 1360 | 1 | | | |
| | BNT-09 Vitesse | 1 | | | |
| 3 | FRONT WINGS | | | | |
| | 805826 LH Her 948/1200/1250 | 1 | | | |
| | 806827 RH Her 948/1200/1250 | 1 | | | |
| | 713267 LH Her 1360 | 1 | | | |
| | 713268 RH Her 1360 | 1 | | | |
| | 903107 LH Vitesse | 1 | | | |
| | 903108 RH Vitesse | 1 | | | |
| 4 | HV01-LH LH Front Wing Lip Repair | 1 | | | |
| | HV01-RH RH Front Wing Lip Repair | 1 | | | |
| 5 | 901397R LH Front Outer W/Arch (REPRO) | 1 | | | |
| | 901398R RH Front Outer W/Arch (REPRO) | 1 | | | |
| 6 | 903075 LH Front Inner W/Arch | 1 | | | |
| | 903076 RH Front Outer W/Arch | 1 | | | |
| 7 | 703627 LH D Plate Strengthener | 1 | | | |
| | 703628 RH D Plate Strengthener | 1 | | | |
| 8 | 704086 LH W/Arch to Grille Panel-Her | 1 | | | |
| | 704087 RH W/Arch to Grille Panel-Her | 1 | | | |
| | HU705W Bolt & Washers Bonnet Tube-1360 | 4 | | | |
| | HU504C Bolt/Nut & Washers Bonnet Tube-948/1200 | 4 | | | |
| 9 | 806551 LH W/Arch to Grille Panel-Vit | 1 | | | |
| | 806552 RH W/Arch to Grille Panel-Vit | 1 | | | |
| | HU504C Bolt/Nut & Washers Bonnet Tube | 4 | | | |
| 10 | 805816 LH Wing/Grille Panel-948/1200/1250 | 1 | | | |
| | 805817 RH Wing/Grille Panel-948/1200/1250 | 1 | | | |
| 11 | 812140 Headlamp & Grille Panel-Her 1360 | 1 | | | |
| | 903106 Headlamp & Grille Panel-Vit 6/1 | 1 | | | |
| | 814092 Headlamp & Grille Panel-Vit 2 | 1 | | | |
| | 805554 Grille Panel-Her 948/1200/1250 | 1 | | | |
| 12 | 812139 Grille (Alloy)-Her 1360 | 1 | | | |
| | 816602 Grille (Plastic)-Her 1360 | 1 | | | |
| | 806092 Grille-Vit 6/1 | 1 | | | |
| | 814083 Grille-Vit 2 | 1 | | | |
| | 703801 Grille-Her 948/1200/1250 | 1 | | | |
| 13 | 621539 LH Headlamp Bezel-Her 1360 | 2 | | | |
| | 621540 RH Headlamp Bezel-Her 1360 | 2 | | | |
| 14 | 806293 Headlamp Bezel (Slotted)-Vitesse | 1 | | | |
| | 813703 Headlamp Bezel (Plain)-Vitesse | 2 | | | |
| 15 | 803383 Front Valance (Steel)-Her 948 | 1 | | | |
| | 511534 Front Valance (Steel)-Her 1200/1250 | 1 | | | |
| | 812210 Front Valance (Steel)-Her 1360 | 1 | | | |
| | 806600 Front Valance (Steel)-Vitesse | 1 | | | |
| 16 | FV-01 Front Valance (GRP)-Herald | 1 | | | |
| | FV-02 Front Valance (GRP)-Vitesse | 1 | | | |
| 17 | 607629 End Bracket-Front Valance | 2 | | | |
| | HU705W Bolt & Washers-607629 to Valance | 2 | | | |
| | HU706C Bolt/Nut & Washers-609629 to Chassis | 2 | | | |
| 18 | 609379 Seal-Front Valance to Bonnet | 2 | | | |
| 19 | 608353 Bracket O/Rider to Valance-948/1200/1250 | 2 | | | |
| | 712767 LH Bracket O/Rider to Valance-1360 | 1 | | | |
| | 712768 RH Bracket O/Rider to Valance-1360 | 1 | | | |
| | 612081 Bracket O/Rider to Valance-Vit | 2 | | | |
| | PX705W Screw & Washers-Bracket to O/Rider | 4 | | | |
| | HU705W Bolt & Washers-Bracket to O/Rider | 2 | | | |
| | YH8704W Screw & Washers-Lower Valance Support | 2 | | | |
| 20 | 612479 Bonnet Hinge Tube-Herald & Vit 6/1 | 1 | | | |
| | 806976 Bonnet Hinge Tube-Vit 2 | 1 | | | |
| 21 | 607869 Bracket-Bonnet Tube to W/Arch | 4 | | | |
| 22 | 607711 Plate-Bonnet Tube to W/Arch | 4 | | | |
| | HU705W Bolt & Washers-Bonnet Tube to W/Arch | 8 | | | |
| | HU706C Bolt/Nut & Washers-Bonnet Top Panel | 2 | | | |
| | 121254 Link-Bonnet Pivot | 4 | | | |
| | 607910 Distance Piece-Bonnet Fulcrum Pin | 2 | | | |
| | 121255 Distance Piece-Bonnet Attachment | 2 | | | |
| | HB916C Bolt/Nut & Washers-Link to O/Rider Bracket | 2 | | | |
| | HB918C Bolt/Nut & Washers-Bonnet Tube to Link | 2 | | | |
| 26 | 131234 Bonnet Adjuster Rod (Not Her 948) | 2 | | | |
| | 131233 Locknut (LH Thread) | 2 | | | |
| | JN2110 Locknut (RH Thread) | 2 | | | |
| | HU909C Bolt/Nut & Washers | 2 | | | |
| 27 | 608500 Spring-Bonnet Counter Balance | 2 | | | |
| 28 | 209403 LH Bonnet Stay | 1 | | | |
| | 209404 RH Bonnet Stay | 1 | | | |
| | HU707C Bolt/Nut & Washers | 4 | | | |
| 30 | 609272 Seal-Bonnet Rear | 1 | | | |
| 31 | 704033 Seal-W/Arch to Dash Panel | 2 | | | |
| | 608520 Clip-W/Arch to Dash Seal | 20 | | | |
| 32 | 612962 Bonnet Cone & Locknut | 2 | | | |
| 33 | 607663 Bonnet Latch | 2 | | | |
| | 510293K Screw/Nut & Washers-Bonnet Latch | 6 | | | |
| | 607664 Catch Plate-Bonnet Latch | 2 | | | |
| | 609931 Tapped Plate-Catch Plate | 2 | | | |
| | HU706W Bolt & Washers | 4 | | | |

MAIN BODY & CHASSIS - HERALD & VITESSE



MAIN BODY

| | | | |
|----|----------|---------------------------------|---|
| 1 | 806269 | RH Front Floor Assembly | 1 |
| | 806262 | LH Front Floor Assembly | 1 |
| 2 | HV04-LH | RH Front Floor Repair | 1 |
| | HV04-RH | LH Front Floor Repair | 1 |
| 3 | 608269 | Sealing Strip | 1 |
| 4 | 907613 | Rear Floor Assembly | 1 |
| 5 | HV05-LH | LH Rear Floor Repair | 1 |
| | HV05-RH | RH Rear Floor Repair | 1 |
| 6 | 566034R | Treadplate Repair (27" Long) | 2 |
| 7 | 806692/4 | Rear Seat Pan Assembly-Sal/Conv | 1 |
| 8 | HV06-LH | LH Rear Seat Pan Repair | 1 |
| | HV06-RH | RH Rear Seat Pan Repair | 1 |
| 9 | 607688 | Cover-Rear Spring Access | 1 |
| | FU2585 | Nut Fix | 2 |
| | YH8505 | Screw | 2 |
| 10 | 903181 | Boor Floor Panel Assembly | 1 |
| | 607863 | Spare Wheel Bracket | 1 |
| 11 | HV07 | Spare Wheel Well Repair | 1 |
| 12 | HV08 | Boot Floor Repair | 1 |
| 13 | 804611 | LH Boot Floor Side Panel | 1 |
| | 804612 | RH Boot Floor Side Panel | 1 |
| 14 | HV09-LH | LH Repair Boot Floor Side | 1 |
| | HV09-RH | RH Repair Boot Floor Side | 1 |
| 15 | 705787 | LH Rear Inner W/Arch (718716) | 1 |
| | 705788 | RH Rear Inner W/Arch (718717) | 1 |
| 16 | 802845R | LH Rear Outer W/Arch (REPRO) | 1 |
| | 802846R | RH Rear Outer W/Arch (REPRO) | 1 |

use 60726A/9K

| | | | |
|----|----------|-----------------------------------|----|
| 20 | 902270R | LH Rear Wing (REPRO) | 1 |
| | 902271R | RH Rear Wing (REPRO) | 1 |
| 21 | HV03-LH | LH Rear Wing Front Repair | 1 |
| | HV03-RH | RH Rear Wing Front Repair | 1 |
| 22 | HV02-LH | LH Rear Wing Lip Repair | 1 |
| | HV02-RH | RH Rear Wing Lip Repair | 1 |
| 25 | 803070 | LH Outer Sill | 1 |
| | 803071 | RH Outer Sill | 1 |
| | YH6505W | Screw & Washer-Sill to Rear Wing | 2 |
| | YF7505W | Screw & Washer-Sill to Side Rail | 8 |
| | FC2805 | Spire Nut-Sill to Side Rail | 8 |
| | YF7504 | Screw & Washer-Sill to Floor | 18 |
| | FU2585 | Spire Nut-Sill to Floor | 18 |
| 26 | HERBRA1 | Body Mntg Bracket-Frt Bulkhead | 2 |
| 27 | HERBRA2 | LH Body Mntg Bracket-Frt Floor | 1 |
| | HERBRA2 | RH Body Mntg Bracket-Frt Floor | 1 |
| 28 | 607655 | Body Mntg Bracket-Rear Floor | 2 |
| 29 | 703625 | LH Body Mntg Bracket-B Post | 1 |
| | 703626 | RH Body Mntg Bracket-B Post | 1 |
| 30 | 705883 | LH Rear Corner Valance-Herald | 1 |
| | 705884 | RH Rear Corner Valance-Herald | 1 |
| | 902273 | LH Rear Corner Valance-Vitesse | 1 |
| | 902274 | RH Rear Corner Valance-Vitesse | 1 |
| | UL2704W | Screw & Washer-Corner Valance | 14 |
| | FA3057/4 | Nut Fix-Corner Valance | 14 |
| 31 | 805937 | Rear Valance-Her 1200/1250/1360 | 1 |
| | 902268 | Rear Valance-Vitesse & Her 948 | 1 |
| | HU703C | Bolt/Nut & Washers-Valance Fixing | 6 |

CHASSIS

HERALD 948/1200 MK1 ① →

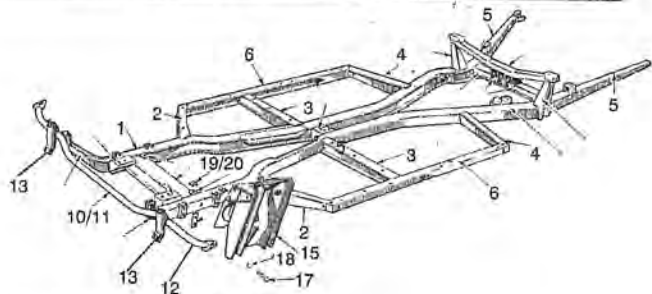
| | | | |
|---|--------|--------------------------|---|
| 1 | | Chassis Assembly (RECON) | 1 |
| 2 | 205333 | LH Front Outrigger | 1 |
| | 205334 | RH Front Outrigger | 1 |
| 3 | 204904 | Centre Outrigger | 2 |
| 4 | 205326 | LH Rear Outrigger | 1 |
| | 205327 | RH Rear Outrigger | 1 |
| 5 | 303518 | RH Boot Rigger | 1 |
| | 303519 | LH Boot Rigger | 1 |
| 6 | 205053 | Side Rail | 2 |

HERALD 1200 MK2 ① → /1250/1360 & VITESSE

| | | | |
|---|--------|--------------------------------|---|
| 1 | | Chassis Assembly (RECON) | 1 |
| 2 | 208893 | RH Front Outrigger | 1 |
| | 208894 | LH Front Outrigger | 1 |
| 3 | 208246 | RH Centre Outrigger | 1 |
| | 208247 | LH Centre Outrigger | 1 |
| 4 | 208750 | RH Rear Outrigger *Not Vit 2* | 1 |
| | 208751 | LH Rear Outrigger *Not Vit 2* | 1 |
| | 215375 | RH Rear Outrigger *Vit 2 Only* | 1 |
| | 215376 | LH Rear Outrigger *Vit 2 Only* | 1 |
| 5 | 305461 | RH Boot Rigger | 1 |
| | 305462 | LH Boot Rigger | 1 |
| 6 | 205053 | Side Rail | 2 |

CROSS TUBE ASSEMBLY

| | | | |
|----|----------|-----------------------------|---|
| 10 | 205317 | Her 948/1200 → ① | 1 |
| | 209012 | Her 1360/Vit | 1 |
| | 208184 | Her 1200 ① → | 1 |
| 11 | | CROSS TUBE ONLY | |
| | HVC01 | Her 948/1200 → ① | 1 |
| | HVC02 | Her 1200 ① → /1250/1360/Vit | 1 |
| 12 | HVC03-LH | Cross Tube End Repair LH | 1 |
| | HVC03-RH | Cross Tube End Repair RH | 1 |



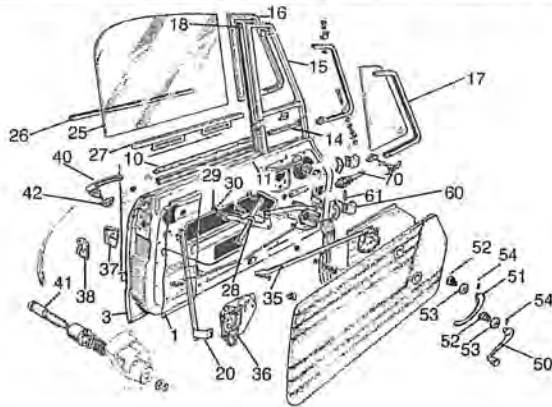
| | | | |
|----|-----------|--|-----|
| 13 | | O/RIDER MNTG BRACKET | |
| | HVC04 | Her 948/1200 → ① | 2 |
| | HVC05 | Her 1200 ① → /1250 | 2 |
| | HVC06 | Her 1360/Vit | 2 |
| 15 | | SUSPENSION TURRET | |
| | 303590 | Her 948/1200 → ① | 2 |
| | 305592 | LH Her 1200 ① → /1250/1360/Vit | 1 |
| | 305593 | RH Her 1200 ① → /1250/1360/Vit | 1 |
| 16 | 129650 | Tapped Plate | 4 |
| 17 | HU908 | Set Bolt (118977) | 8 |
| 18 | WQ309 | Lock Washer | 8 |
| 19 | HU909C | Bolt/Nut & Washer-Inner Mounting | 2 |
| 20 | 128356 | Shim-Inner Turret Mounting | A/R |
| 25 | BMK03 | Body Mounting Kit (includes 26 → 33) | 1 |
| | BMK04 | Body Bolt Kit (includes items 26 → 31) | 1 |
| 26 | 607696K | Side Rail Bolt & Plate Kit | 1 |
| 27 | HU808W | Bolt & Washer-Inner Frt O/Rigger | 2 |
| 28 | H8826W | Bolt & Washer-Side Rail to Body | 8 |
| 29 | HU811W | Bolt & Washer-Seat Pan | 2 |
| 30 | YT3711 | Screw & Washer-Frt & Rr Floors | 6 |
| 31 | HU811W | Bolt/Washer-Boot Floor to Chassis | 4 |
| 32 | 608836 | Mounting Pad | 16 |
| 33 | 607268/9K | Sealing Strip Kit-Frt & Rear Body | 1 |

FOOTNOTES

→ ① = Upto (c) G480000 Her 948/1200 Mk1

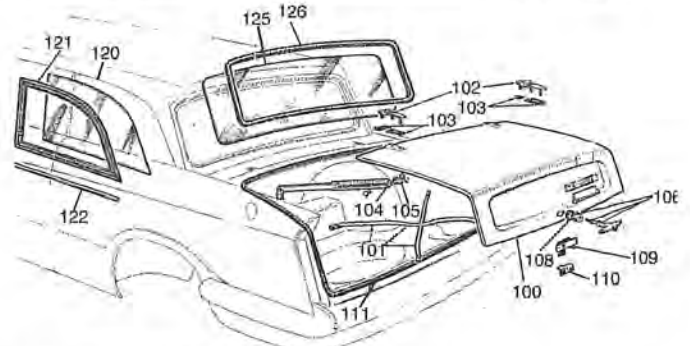
① → = From (c) G480001 Her 1200 Mk2

DOORS, BOOTLID, SALOON ROOF & WINDSCREEN -HERALD & VITESSE



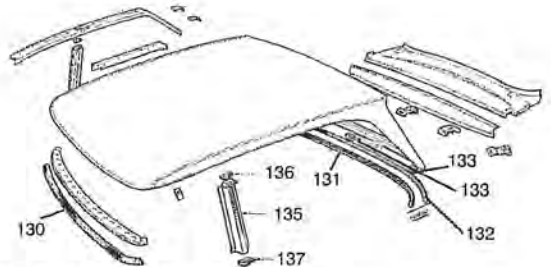
DOORS-HERALD & VITESSE

| | | | |
|----|-----------|--|-------------------|
| 1 | 902256 | LH Door Shell & Skin Assembly | 1 |
| | 902257 | RH Door Shell & Skin Assembly | 1 |
| 2 | 902256RP | LH Door Shell Lower Repair | 1 |
| | 902257RP | RH Door Shell Lower Repair | 1 |
| 3 | 901338 | LH Door Skin | 1 |
| | 901339 | RH Door Skin | 1 |
| 4 | 901338LR | LH Door Skin Lower Repair (4" Deep) | 1 |
| | 901339LR | RH Door Skin Lower Repair (4" Deep) | 1 |
| 10 | 608278/9 | Exterior Weather Strip (OE)-LH/RH | 1pr use EXTWS-1 |
| | EXTWS-1 | Exterior Weather Strip (REPRO) | 2 |
| 11 | GHF1560 | Clip-Exterior W/Strip (OE W/Strips) | 16 |
| | 613169GN | Clip-Exterior W/Strip (REPRO W/Strips) | 16 |
| 12 | 602288 | Interior Weatherstrip | 2 |
| 13 | GHF1582 | Clip-Interior W/Strip | 16 |
| 14 | 613343 | Finisher Interior-1/4 Lite | 2 |
| 15 | 803328/9 | LH/RH 1/4 Lite Assembly | 1pr |
| 16 | 803358/9 | LH/RH 1/4 Lite Sealing Rubber | 1pr |
| 17 | 570228 | 1/4 Lite Glass Glazing Seal | 2 |
| 18 | 559474 | 1/4 Lite Glass Channel | 2 |
| | HU705W | Bolt & Washers-1/4 Lite Fixing | 8 |
| | PX705W | Screw & Washers-1/4 Lite Fixing | 2 |
| 20 | 704563/4 | Rear Glass Channel Assembly LH/RH | 1pr use 704563/4B |
| | 704563/4B | Rear Glass Channel ONLY | 2 |
| | | ** Re-use Original Brackets ** | |
| | HU705W | Bolt & Washers-Rear Glass Channel Fixing | 6 |
| 25 | 703956 | Door Glass-Saloon & Estate | 2 |
| | 703795 | Door Glass-Convertible & Coupe | 2 |
| 26 | 559356 | Glazing Seal-Door Glass | 2 |
| 27 | 703971 | LH Glass Channel | 1 |
| | 703972 | RH Glass Channel | 1 |
| 28 | 803076 | LH Window Regulator | 1 |
| | 803077 | RH Window Regulator | 1 |
| 29 | 607867 | Clip-Glass Channel to Regulator | 4 |
| 30 | 607902 | Washer-Glass Channel to Regulator | 8 |
| | HU704W | Bolt & Washers-Regulator Fixing | 8 |
| 35 | 706278 | LH Remote Control Mechanism | 1 |
| | 706279 | RH Remote Control Mechanism | 1 |
| 36 | 706118 | LH Cam Lock Assembly | 1 |
| | 706119 | RH Cam Lock Assembly | 1 |
| | KT4504 | Screw-Cam Lock | 6 |
| | PX504W | Screw & Washers-Cam Lock Inner Fixing | 2 |
| 37 | 611900 | LH Dovetail Plate | 1 |
| | 611901 | RH Dovetail Plate | 1 |
| 38 | 607861/2 | LH/RH Striker (On B Post)-Less Slider | 1pr |
| | TK4704 | Screw-B Post Striker | 6 |
| 40 | 706117 | RH Door Handle (Locking RHS) | 1 |
| | 706221 | LH Door Handle (Non Locking RHS) | 1 |
| 41 | 567019 | Barrel & Key for 706119 | 1 |
| 42 | 608451/2 | Gasket-Door Handle (Pair) | 2pr |
| 50 | 613017 | Window Winer Handle | 2 |
| 51 | 608454 | Interior Door Handle | 2 |
| 52 | 603382 | Spring | 4 |
| 53 | 650261 | Escutcheon (Black) | 4 |
| 54 | 600832 | Pin-Handle Securing (ALH1527) | 4 |
| 60 | 607824 | Door Hinge & Pin Assembly | 4 |
| 61 | 607823 | Pin-Door Hinge | 4 |
| | KX4806P | Screw-Hinge to Door | 4 |
| | HU807W | Bolt & Washers-Hinge to Door | 8 |
| | HU807W | Bolt & Washers-Hinge to Body | 12 |
| | 610042 | Gasket-Hinge to Body | 4 |
| 70 | 610170 | Door Check Strap | 2 |
| | 602821 | Seal-Door Check Strap | 2 |
| | 610707 | Rivet-Check Strap to Body | 2 |
| | YZ3344W | Screw/Washer-Seal Attachment | 4 |



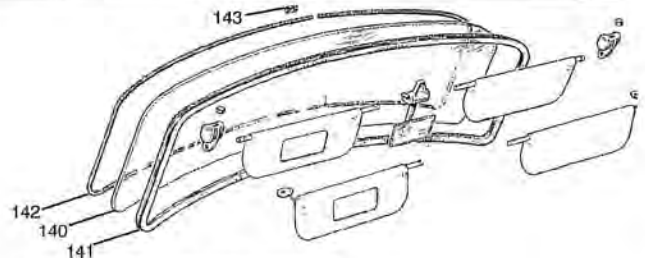
BOOT LID-HERALD & VITESSE

| | | | |
|-----|----------|--|-----|
| 100 | 811717 | Boot Lid (Steel) | 1 |
| | 811717FG | Boot Lid (Fibreglass) | 1 |
| 101 | 803352/3 | Frame-Bootlid | 1pr |
| 102 | 604917/8 | Boot Lid Hinges (PAIRS ONLY) | 1pr |
| 103 | 603212/3 | Gasket-Boot Lid Hinges (Pair) | 2pr |
| | HN2007W | Nut/Washers-Hinge to Boot Lid | 4 |
| | YN2908W | Nyloc Nut/Washers-Hinge to Body | 2 |
| 104 | 608192 | Boot Lid Stay | 1 |
| 105 | 618192 | Bracket-Boot Lid Stay | 1 |
| 106 | 607978 | Boot Lock Handle Assembly | 1 |
| 107 | 537046 | Barrel & Key Only-Boot Lock | 1 |
| 108 | 600949 | Gasket-Boot Lock Handle | 1 |
| 109 | 611226 | Boot Latch | 1 |
| 110 | 611225 | Catch Plate-Boot Latch | 1 |
| | 513949C | Screw/Nut & Washers-Catch Plate to Valance | 2 |
| 111 | 705127 | Boot Seal (Stick On) | 1 |
| | 610953 | Boot Seal (Push On) | 1 |
| 120 | 803358 | Rear 1/4 Lite Glass | 1 |
| 121 | 805762/3 | LH/RH Rear 1/4 Lite Glazing Rubber | 1pr |
| 122 | 611439 | Finisher-Lower Rear 1/4 Lite (Plastic) | 2 |
| 125 | 803355 | Rear Screen | 1 |
| 126 | 803357 | Rear Screen Glazing Rubber | 1 |



SALOON ROOF-HERALD & VITESSE

| | | | |
|-----|---------|---|-----|
| 130 | 703696 | Seal Screen Frame to Roof | 1 |
| | HU706C | Bolt/Nut & Washers-Roof to Screen Frame | 2 |
| | 507821W | Bolt & Washers-Roof to Screen Frame | 1 |
| 131 | 611750 | Seal-Roof to Rear Deck | 1 |
| 132 | 613957 | Finisher-Roof to Rear Deck Seal | 1 |
| 133 | 608461 | Distance Piece-Roof to Rear Deck | 3 |
| | 609363 | Stud-Roof to Rear Deck | 3 |
| | HN2007W | Nut & Washers-Roof to Rear Deck | 3 |
| 135 | | ROOF TO BODY PILLAR | 1pr |
| 136 | 608524 | Seal-Pillar to Roof | 2 |
| 137 | 609693 | Seal-Pillar to Body | 2 |
| | PX505W | Screw & Washers-Pillar Fixing | 4 |
| | HU706W | Bolt & Washers-Pillar Fixing | 2 |



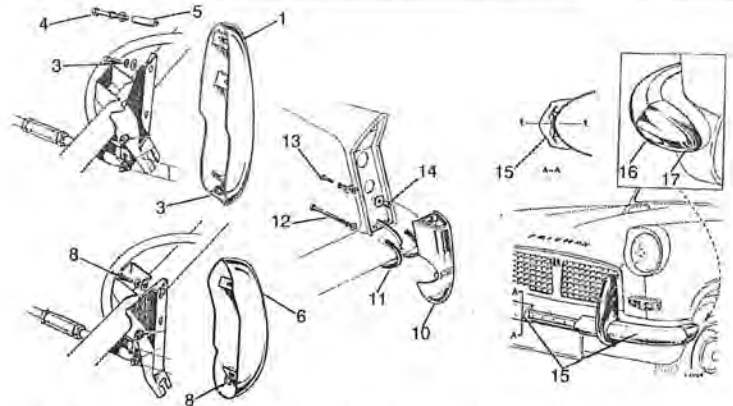
WINDSCREEN-HERALD & VITESSE

| | | | |
|-----|--------|-------------------------------------|---|
| 140 | 901433 | Windscreen Glass (Clear Laminated) | 1 |
| 141 | 805856 | Screen Glazing Rubber | 1 |
| 142 | 613956 | Screen Finisher (1/4" Wide Plastic) | 1 |
| 143 | 611437 | Clip-Screen Finisher | 1 |

** Items 41-43 Not Herald Coupe with Wide Finisher **

BUMPERS & FINISHERS -HERALD/VITESSE & BADGES

| OVERRIDEERS & FINISHERS-HERALD & VITESSE | | | |
|--|----------|--|----|
| 1 | 703634 | Front Override (NEW)-Her 948/1200/1250 | 2 |
| | 703634E | Front Override (RECON)-Her 948/1200/1250 | 2 |
| | | **SURCHARGE on RECON Overrideers | 2 |
| 2 | 608491 | Moulding-Overrideer to Valance | 4 |
| 3 | HU807W | Bolt/Washers-Lower O/Rider Fixing | 4 |
| 4 | HB821W | Bolt/Washers-Upper O/Rider Fixing | 2 |
| 5 | 608098 | Distance Tube-Upper O/Rider Fixing | 2 |
| 6 | 706154 | LH Front Overrideer (NEW)-Her 1360 & Vit | 1 |
| | 706155 | RH Front Overrideer (NEW)-Her 1360 & Vit | 1 |
| | 706154E | LH Front Overrideer (RECON)-Her 1360 & Vit | 1 |
| | 706155E | RH Front Overrideer (RECON)-Her 1360 & Vit | 1 |
| | | **SURCHARGE on RECON Overrideers | 2 |
| 7 | 608491 | Moulding-Overrideer to Valance | 4 |
| 8 | HU807W | Set Bolt/Washers-Lower O/Rider Fixing | 4 |
| 10 | 703708 | LH Rear Overrideer (NEW) | 1 |
| | 703709 | RH Rear Overrideer (NEW) | 1 |
| 11 | 614041 | Moulding-Overrideer to Valance | 4 |
| 12 | HB944W | Bolt/Washers-Lower O/Rider Fixing | 2 |
| 13 | HB915W | Bolt/Washer-Upper O/Rider Fixing | 2 |
| 14 | 608858 | Distance Tube-Upper O/Rider Fixing | 2 |
| 15 | 712800/6 | HERALD Bumper-Set-6 Pieces | 1 |
| 16 | 704595 | Finisher-Bumper End | 4 |
| 17 | 503467 | Screw-Bumper End Finisher | 4 |
| 20 | 704724 | Rear Lamp Finisher-Upper | 2 |
| 21 | 704782 | Rear Lamp Finisher-Lower | 4 |
| 22 | 609742 | Clip-Upper Rear Lamp Finisher (GHF1560) | 8 |
| 23 | 612211 | Clip-Lower Rear Lamp Finisher | 12 |
| 25 | 703713 | Bonnet Moulding-Her 948/1200(with Handle) | 1 |
| | 805922 | Bonnet Moulding-Her 1200/1250 | 1 |
| | 806402 | Bonnet Moulding-Her 1360 & Vitesse | 1 |
| 26 | 611504 | Clip & Rivet-Bonnet Moulding | 5 |



| | | | |
|----|-----------|--|---|
| 27 | 703731 | Front Wing Moulding-Her 948/1200/1250 | 2 |
| | 706164 | Front Wing Moulding LH-Her 1360 & Vit | 1 |
| | 706165 | Front Wing Moulding RH-Her 1360 & Vit | 1 |
| 28 | 703733 | Door Moulding-Her & Vit | 2 |
| 29 | 703736 | Rear Wing Moulding LH-Her 948/1200/1250 | 1 |
| | 703737 | Rear Wing Moulding RH-Her 948/1200/1250 | 1 |
| | 806995 | Rear Wing Moulding RH-Her 1360 & Vit | 1 |
| | 706652 | Rear Wing Moulding LH-Her 1360 & Vit | 1 |
| | 613141 | Rear Wing Moulding LH Rear-Her 1360 & Vit | 1 |
| 30 | 567228/50 | Rivet & Clip-Body Side Mouldings (Pack 50) | 1 |
| 31 | 706149 | Front Bonnet Moulding-Her 1360 & Vit | 1 |
| 32 | 612470 | Clip-Bonnet Moulding | 9 |
| 33 | 706161 | Bonnet Corner Finisher LH-Her 1360 & Vit | 1 |
| | 706162 | Bonnet Corner Finisher RH-Her 1360 & Vit | 1 |

1 TRIUMPH 75

BADGES

| | | | |
|-----------------------|----------|--|---|
| SPITFIRE 1/2 | | | |
| 1 | 703862/8 | TRIUMPH Letter Set | 2 |
| 2 | 608380 | Bonnet Shield Badge | 1 |
| 3 | 613926 | Spitfire 4 Scroll-Bootlid | 1 |
| 4 | 618242 | Mk 2 Scroll-Bootlid | 1 |
| 5 | 603906 | Overdrive Scroll | 1 |
| SPITFIRE 3 → ① | | | |
| 1 | 703862/8 | TRIUMPH Letter Set | 2 |
| 6 | 621468 | Spitfire Scroll-Bootlid | 1 |
| 7 | 621467 | Mk 3 Scroll-Bootlid | 1 |
| 5 | 603906 | Overdrive Scroll | 1 |
| SPITFIRE 3 ① → | | | |
| 10 | 627174 | SPITFIRE Badge-Bonnet | 1 |
| 11 | 627174 | SPITFIRE Badge-Rear Wing | 2 |
| 12 | 627563 | TRIUMPH Badge-Bootlid | 1 |
| SPITFIRE 4 | | | |
| 15 | 624730 | SPITFIRE IV Badge-Bonnet | 1 |
| 16 | 624733 | SPITFIRE IV Badge-Rear Wing | 2 |
| 17 | 725525 | BL Badge-Front Wing | 2 |
| SPIT1500 | | | |
| 20 | YKC1454 | SPITFIRE 1500 (Black)-Bonnet | 1 |
| | YKC1455 | SPITFIRE 1500 (Silver)-Bonnet | 1 |
| 21 | YKC1456 | TRIUMPH SPITFIRE 1500 (Black)-Bootlid | 1 |
| | YKC1457 | TRIUMPH SPITFIRE 1500 (Silver)-Bootlid | 1 |



| | | | |
|--------------|----------|--------------------------|---|
| GT6 1 | | | |
| 23 | 703862/8 | TRIUMPH Letter Set | 2 |
| 24 | 608380 | Bonnet Shield Badge | 1 |
| 25 | 619860 | GT6 Badge-Rear Panel | 1 |
| GT6 2 | | | |
| 26 | 623873 | GT6 Mk2 Badge-Bonnet | 1 |
| 27 | 623872 | GT6 Mk2 Badge-Rear Panel | 1 |
| 28 | 622260 | TRIUMPH Badge-Rear Panel | 1 |
| GT6 3 | | | |
| 30 | 624737 | GT6 Mk3 Badge-Bonnet | 1 |
| 31 | 624738 | GT6 Mk3 Badge-Rear Panel | 1 |
| 17 | 725525 | BL Badge-Front Wing | 2 |



35 Herald

HERALD 1200/1250

| | | | |
|--------------------|----------|-------------------------------|-----|
| 35 | 611506/9 | HERALD Letter Set → ② -Bonnet | 1 |
| 1 | 703862/8 | TRIUMPH Letter Set ② → | 1/2 |
| 2 | 608380 | Grille Shield Badge | 1 |
| 36 | 611505 | Herald Badge-Bootlid | 1 |
| 37 | 611526 | 1200 Badge-Bootlid | 1 |
| 38 | 608592 | Coupe Badge-Bootlid | 1 |
| 39 | 607760 | Crossed Flag Badge-Rear Wing | 2 |
| HERALD 1360 | | | |
| 1 | 703862/8 | TRIUMPH Letter Set | 2 |
| 45 | 623822 | TRIUMPH Badge-Bootlid | 1 |
| 46 | 624258 | HERALD 1360 Plate-Bootlid | 1 |
| VITESSE 6 | | | |
| 1 | 703862/8 | TRIUMPH Letter | 2 |
| 2 | 608380 | Grille Shield Badge | 1 |
| 50 | 612190 | Vitesse Scroll-Bootlid | 1 |
| 51 | 611899 | 6 Scroll-Bootlid | 1 |

61 VITESSE

VITESSE 1

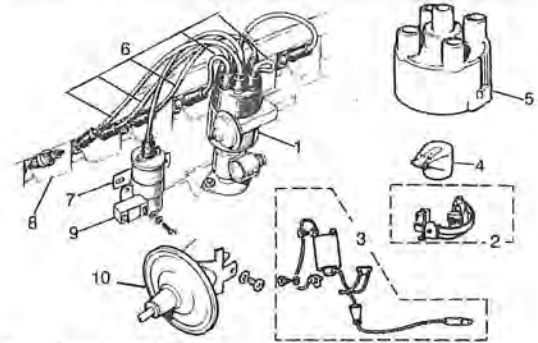
| | | | |
|------------------|----------|----------------------------------|-----|
| 1 | 703862/8 | TRIUMPH Letter | 2 |
| 55 | 620126 | 2 Litre Badge-Front Wings | 2 |
| 56 | 620396 | 2 Litre Badge-Grille | 1 |
| 57 | 612190 | Vitesse Scroll-Bootlid | 1 |
| 58 | 620126 | 2 Litre Badge-Bootlid | 1 |
| 59 | 621074 | OVERDRIVE Badge-Bootlid | 1 |
| 60 | 621075 | Badge Bar-Bootlid | 1 |
| VITESSE 2 | | | |
| 1 | 703862/8 | TRIUMPH Letter Set | 2 |
| 61 | 623819 | VITESSE Badge-Bonnet | 1 |
| 62 | 623827 | Mk2 Badge-Front Wing | 2 |
| 45 | 623822 | TRIUMPH Badge-Bootlid | 1 |
| 63 | 624236 | OVERDRIVE Plate-Bootlid (622152) | 1 |
| 64 | 623901 | VITESSE-Number Plate Cowl | 1 |
| 70 | 608466 | Herald-Dashboard Badge | 1 |
| 71 | 612185 | Vitesse-Dashboard Badge | 1 |
| 75 | GHF1532P | Bush-Badge Mounting (Pack 10) | A/R |

FOOTNOTES

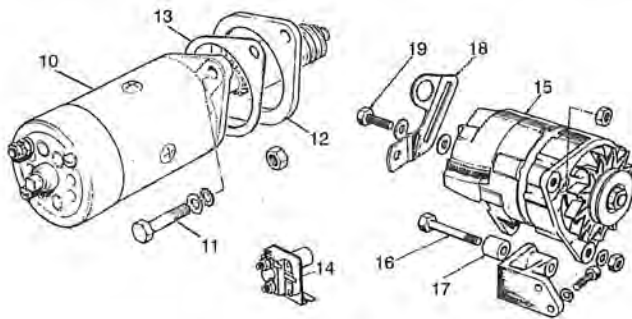
- ① = Upto (c) FD75000 Spit 3
- ① → = From (c) FD75001 Spit 3
- ② = Upto (b) GAT90333 & YAT80279
- ② → = From (b) GAT90334 & YAT80280

IGNITION, STARTER MOTOR, ALTERNATOR, DYNAMO & BATTERY COMPONENTS

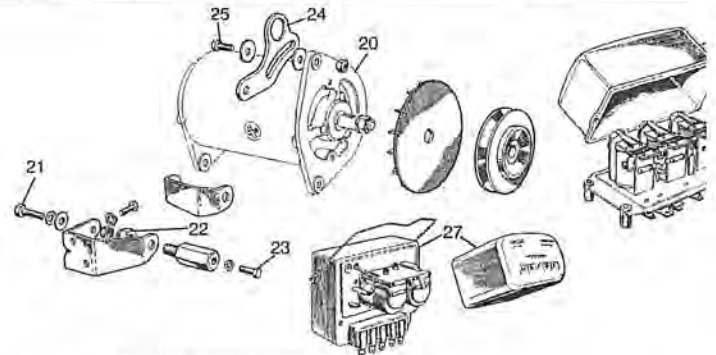
| | | | |
|----------|---|---|--|
| 1 | DISTRIBUTOR ** STATE DISTRIBUTOR NUMBER ** | | |
| | DIS001 Spilt 1/2/3/4 DELCO (Recon) | 1 | |
| | RKC5044 Spilt 1500 LUCAS (New) 41449 | 1 | |
| | DIS002 Spilt 1500 LUCAS (Recon) | 1 | |
| | DIS003 GT6 1/2/3 DELCO (Recon) | 1 | |
| | DIS004 Vitesse 6 DELCO (Recon) | 1 | |
| | DIS005 Vitesse 6/1/2 LUCAS (Recon) | 1 | |
| | DIS006 Herald LUCAS (Recon) | 1 | |
| | **SURCHARGE On Recon Distributors | 1 | |
| 2 | CONTACT SETS | | |
| | GCS105 Spilt 1/2/3/4 & GT6 & Vit 6 (DELCO) | 1 | |
| | GCS118 Spilt 1500 (LUCAS) | 1 | |
| | GCS101 Herald & Vitesse 6/1/2 (LUCAS) | 1 | |
| 3 | CONDENSORS | | |
| | GSC104 Spilt 1/2/3/4 & GT6 & Vit 6 (DELCO) | 1 | |
| | GSC118 Spilt 1500 (LUCAS) | 1 | |
| | GSC101 Herald & Vitesse 6/1/2 (LUCAS) | 1 | |
| 4 | ROTOR ARMS | | |
| | GRA110 Spilt 1/2/3/4 & GT6 & Vit 6 (DELCO) | 1 | |
| | GRA114 Spilt 1500 (LUCAS) | 1 | |
| | GRA101 Herald (LUCAS) | 1 | |
| | GRA102 Vitesse 6/1/2 (LUCAS) | 1 | |
| 5 | DISTRIBUTOR CAPS | | |
| | GDC123 Spilt 1/2/3/4 (DELCO) | 1 | |
| | GDC136 Spilt 1500 (LUCAS) | 1 | |
| | GDC114 Herald Early (LUCAS-Side Entry Cap) | 1 | |
| | GDC103 Herald (LUCAS-Top Entry Cap) | 1 | |
| | GDC109 GT6 (DELCO) & Vitesse 6 ② → (DELCO) | 1 | |
| | GDC115 Vitesse 6 → ② 1/2 (LUCAS) | 1 | |



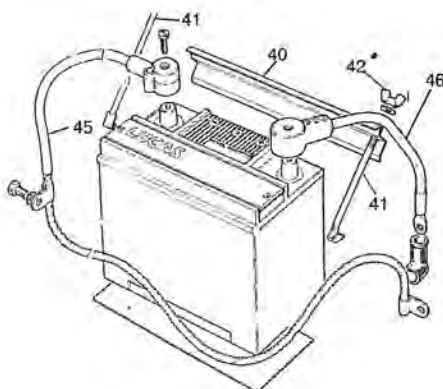
| | | | |
|----------|--|-----|--|
| 6 | PLUG LEAD SETS | | |
| | GHT152 Spitfire & Herald (Top Entry Cap) | 1 | |
| | GHT102 Herald (Side Entry Cap) | 1 | |
| | GHT142 GT6 & Vitesse (Push in Coil Lead) | 1 | |
| 7 | IGNITION COILS | | |
| | GCL110 Spilt 1/2/3 & GT6 1/2 & Her & Vit | 1 | |
| | GCL111 Spilt 4/1500 & GT6 3 (Ballast) | 1 | |
| 8 | SPARK PLUGS | | |
| | GSP541 Spilt 1/2 & Her 1200 | 4 | |
| | GSP4362 Spilt 3/4 & Her 1360 & GT6 & Vit | 4/6 | |
| | GSP4382 Spilt 1500 | 4 | |
| 9 | BALLAST RESISTOR | | |
| | 134716 Spilt 4 → ① & GT6 3 | 1 | |



| | | | |
|-----------|--|-----|--|
| 10 | GEU405E STARTER MOTOR (RECONDITIONED) | 1 | |
| | **SURCHARGE on Recon Starter Motor | 1 | |
| 11 | HB912C Bolt/Nut & Washers-Starter Motor Fixing | 2 | |
| 12 | 131570 Spacer Ring-Starter Motor | 1 | |
| 13 | 104549 Shim-Starter Motor Spacer Ring | A/R | |
| 14 | STARTER SOLENOIDS | | |
| | BMK1727 Spilt 1/2/3 & GT6 1/2 & Her & Vit | 1 | |
| | 13H5952 Spilt 4/1500 & GT6 3 (Ballast) | 1 | |
| | LU76445 Push Button Type (Non Ballast Only) | 1 | |
| 15 | ALTERNATORS (RECONDITIONED) | | |
| | ** PULLEY & FAN NOT SUPPLIED ** | | |
| | GEU207E Spilt 4/1500 & GT6 2/3 (15/16ACR) | 1 | |
| | **SURCHARGE on Recon Alternators | 1 | |
| 16 | HB839C Bolt & Nut Alternator Pivot-Spilt/GT6 | 1 | |
| 17 | 147483 Distance Piece-Spiltfire | 1 | |
| | 151882 Distance Piece-GT6 | 1 | |
| 18 | 156464 Adjusting Link-Spiltfire | 1 | |
| | 150340 Adjusting Link-GT6 | 1 | |
| 19 | HU857C Bolt & Nut-Adjusting Link to Alternator | 1 | |



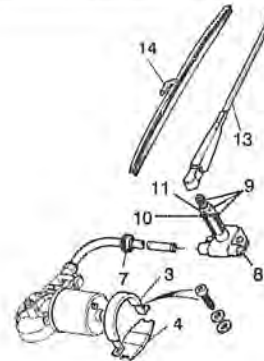
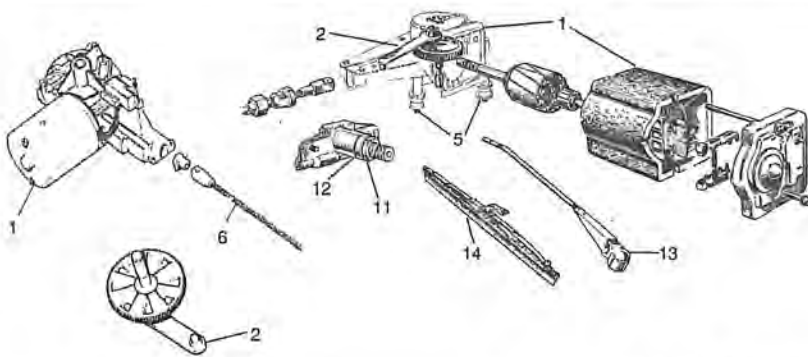
| | | | |
|-----------|---|---|--|
| 20 | DYNAMO (RECONDITIONED) | | |
| | ** PULLEY & FAN NOT SUPPLIED ** | | |
| | GEU101E Spilt 1/2/3 & Herald (C40) | 1 | |
| | GEU102E GT6 1 & Vitesse (C40L) | 1 | |
| | **SURCHARGE on Recon C40 Dynamo | 1 | |
| | **SURCHARGE on Recon C40L Dynamo | 1 | |
| 21 | BOLT/NUT & WASHERS-DYNAMO BRACKET REAR | | |
| | HB810C Herald | 1 | |
| | HB814C GT6 1 & Vitesse | 1 | |
| 22 | TN3211 Nyloc Nut-Dynamo Bracket Front | 1 | |
| 23 | 59115W Bolt & Washer-Dynamo Bracket Front | 1 | |
| 24 | 121215 Adjusting Link-Herald | 1 | |
| | 143650 Adjusting Link-GT6 1 & Vitesse | 1 | |
| 25 | HU857C Bolt & Nut-Adjusting Link to Dynamo | 1 | |
| 26 | HU1107C Bolt & Nut to Eng Plate-GT6 1 & Vit ONLY | 1 | |
| 27 | GEU6603 Control Box-Herald | 1 | |
| 28 | GEU6605 Control Box-Spilt 1/2/3 | 1 | |
| | GEU6606 Control Box-GT6 1 & Vitesse | 1 | |
| | BATTERY FITTINGS | | |
| 40 | 142087 Battery Fixing Plate | 1 | |
| 41 | 601552 Rod Battery Fixing-Spiltfire | 2 | |
| | 619864 Rod Battery Fixing-GT6 | 2 | |
| | 618434 Rod Battery Fixing-Herald/Vitesse | 2 | |
| 42 | 132068 Wing Nut & Washer-Battery Fixing | 2 | |
| 45 | 515999 Battery to Earth Lead-Spilt & GT6 (575997) | 1 | |
| | 516376 Battery to Earth Lead-Her & Vit | 1 | |
| 46 | 515873 Battery to Solenoid Lead-Spilt | 1 | |
| | 514793 Battery to Solenoid Lead-GT6 | 1 | |
| | 516377 Battery to Solenoid Lead-Her | 1 | |
| | 515554 Battery to Solenoid Lead-Vit | 1 | |
| 47 | 511481 Lead-Starter to Solenoid-Spilt | 1 | |
| | 514792 Lead-Starter to Solenoid-GT6 | 1 | |
| | 507899 Lead-Starter to Solenoid-Her | 1 | |
| | 511516 Lead-Starter to Solenoid-Vit | 1 | |



FOOTNOTES

- ① = Upto (c) FH50000 Spilt 4 Separate Ballast Resistor
- ① → = From (c) FH50001 Spilt 4 Ballast Wire In Loom
- ② = Upto (c) HB15000 Vit 6 Lucas Distributor
- ② → = From (c) HB15001 Vit 6 Delco Distributor

WIPERS, WASHERS & INSTRUMENTS



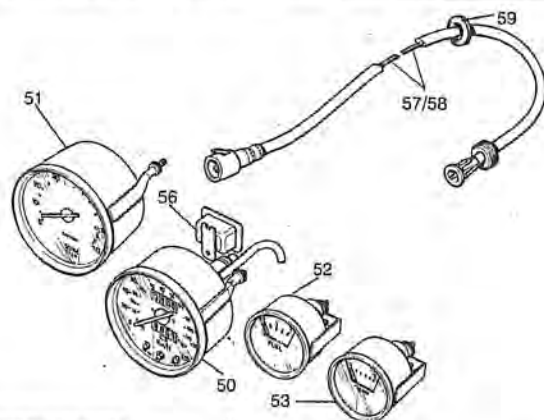
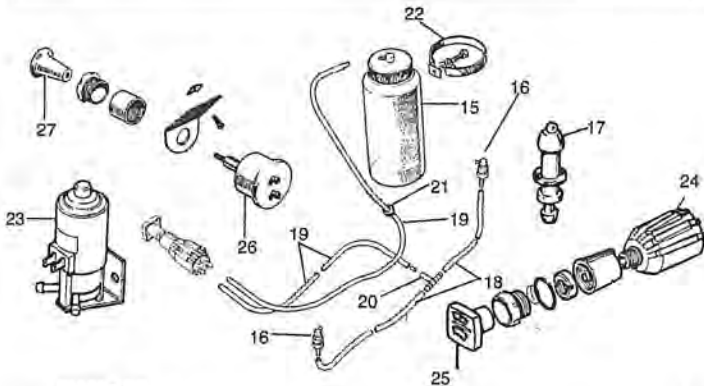
WIPERS

1 WIPER MOTORS (RECON)-SUPPLIED LESS GEAR

| | | | |
|---|--|---|--------|
| 1 | GEU714E | Spit 1/2/3 & Her & Vit(DR3A-Single Speed) | 1 |
| | 515658E | GT6 1 (DR3A-Twin Speed) | 1 |
| | GEU708E | Spit 4/1500 & GT6 2/3 (14WPARK-Twin Speed) | 1 |
| | ** SURCHARGE on Reconditioned Wiper Motors | | 1 |
| 2 | WIPER MOTOR GEARS | | |
| | 520101 | Spit 4/1500 & GT6 2/3 | 100' 1 |
| | 520939 | Herald & Vitesse Upto 1969 ① | 130' 1 |
| | 518611 | Herald & Vitesse From 1969 ② | 160' 1 |
| | 513962 | Spit 1/2/3 & GT6 1 | 120' 1 |
| | 511007 | Spit 3 | 150' 1 |
| 3 | BHA4790 | Fixing Strap-Spit 4/1500 & GT6 3 | 1 |
| | HU704W | Bolt & Washers-Wiper Motor Fixing | 2 |
| 4 | 150844 | Seating Pad-Spit 4/1500 & GT6 3 | 1 |
| 5 | 17H5431 | Mounting Kit-Spit 1/2/3 & GT6 1 & Her & Vit | 3 |
| 6 | 37H5208 | Wiper Rack (Cut to suit model) | 1 |
| 7 | C5574A | Grommet Rack Tube | 1 |

8 WIPER WHEEL BOXES

| | | | |
|----|-------------------------------------|--|---|
| 8 | 134746 | Spit 1/2/3 → 1969 & GT61 | 2 |
| | 155430 | Spit 3 1969 → 4/1500 & GT6 2/3 | 2 |
| | 122781 | Herald & Vitesse Upto 1969 ① | 2 |
| | 152280 | Herald & Vitesse From 1969 ② (37H7200) | 2 |
| 9 | 134747K | Bezel & Nut & Washer Kit-Spit & GT6 | 2 |
| 10 | 134751 | Seal Bezel to Body-Spit & GT6 | 2 |
| 11 | 17H8769 | Nut (8 Sided) | 2 |
| | ANK3459 | Nut (6 Sided) | 2 |
| 12 | 507948 | Bush to Body-Her & Vit | 2 |
| 13 | WIPER ARMS (STAINLESS STEEL) | | |
| | TWA001 | Spit 1/2/3 & GT6 1 & Herald & Vitesse | 2 |
| | TWA002 | RH Spit 4/1500 & GT6 2 | 1 |
| | TWA003 | LH Spit 4/1500 & GT6 2 | 1 |
| | TWA004 | RH Spit 1500 (Black) | 1 |
| | TWA005 | LH Spit 1500 (Black) | 1 |
| 14 | WIPER BLADES | | |
| | TWB001 | Spit 1/2/3 & GT6 1 & Herald & Vitesse | 2 |
| | TWB002 | Spit 4/1500 & GT6 2 | 2 |
| | TWB003 | Spit 1500 (Black) | 2 |



WASHERS

| | | | |
|----|---|---|--------------|
| 15 | GWW918K | Washer Bottle Kit (Alternative) | 1 |
| 16 | GWW802 | Washer Jet-Spit & GT6 | 2 |
| 17 | 608554 | Washer Jet-Her & Vit | 2 |
| 18 | GWW201M | Washer Pipe (3/16")-T Piece to Jet (Metre) A/R | |
| 19 | GWW202M | Washer Pipe (1/4")-T Piece to Pump/Bottle (Metre) A/R | |
| 20 | GWW404 | T Piece | 1 |
| 21 | 61917 | Grommet-Washer Pipe | 1 |
| 22 | RTC2392 | Bracket Washer Bottle | 1 use 13H232 |
| | 13H232 | Bracket Washer Bottle (MG Type) | 1 |
| 23 | GWW125 | Washer Motor (Electric)-Spit 1500 ③ → | 1 |
| 24 | WIPER SWITCH & PUMP COMBINED | | |
| | 155495 | Spit 4/1500 → ③ & GT6 2/3 | 1 |
| | 149138 | Her 1360 & Vit 2 | 1 |
| 25 | 712913 | Knob-Her 1360 & Vit 2 & Spit 4 & GT6 2/3 | 1 use 725374 |
| | 724374 | Knob-Spit 1500 → ③ | 1 |
| 26 | 609173 | Washer Pump-Spit 1/2/3&Her 1200&Vit 6/1>6 1 | 1 |
| 27 | 609946 | Knob Washer Pump-Spit 1/2/3 & Her 1200 & Vit 6 | 1 |
| | 620543 | Knob Washer Pump-GT6 1 | 1 |

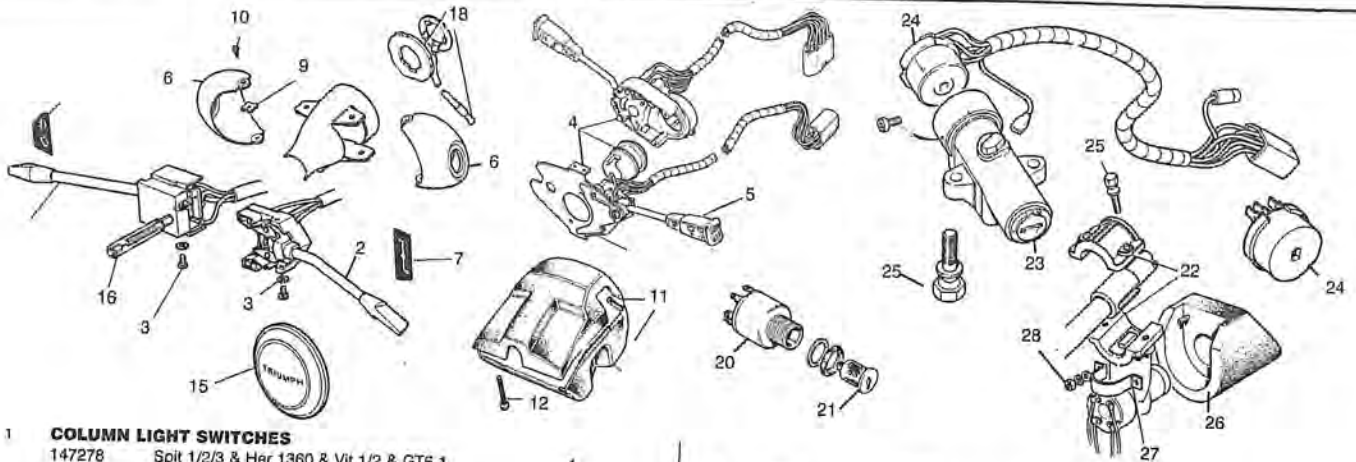
INSTRUMENTS

| | | | |
|----|---|---|---|
| 50 | SPEEDO'S RECONDITIONED-STATE CLOCK NUMBER | | 1 |
| | (Located below Trip Counter ie: SN6203/1 980) | | |
| 51 | TACHOMETER RECONDITIONED-STATE CLOCK NUMBER | | 1 |
| | (Located at Base of Face ie: RN2318/00) | | |
| | **SURCHARGE on RECON Speedo/Tacho's | | 1 |
| 52 | FUEL GAUGE RECONDITIONED-STATE CLOCK NUMBER | | 1 |
| | (Located behind front Face ie: BF2201/12) | | |
| 53 | TEMPERATURE GAUGE RECONDITIONED-STATE CLOCK NUMBER | | 1 |
| | (Located behind front Face ie: BT2204/03) | | |
| | **SURCHARGE on RECON Fuel/Temp Gauges | | 1 |
| 56 | VOLTAGE STABILIZER | | |
| | 148876 | Spit 4/1500 & Her 1360 & GT6 3 | 1 |
| | 128484 | Spit 1/2/3 & Her 1200 ⑤ → & Vit 1/2 & GT6 1/2 | 1 |
| 57 | SPEEDO CABLES | | |
| | GSD111 | Spit 1/2/3 & Herald & GT6 (Standard) | 1 |
| | GSD113 | Spit 1/2/3 (Overdrive) | 1 |
| | GSD272 | Spit 4 (Standard) | 1 |
| | GSD273 | Spit 4 (Overdrive) | 1 |
| | GSD295 | Spit 1500 (Standard) | 1 |
| | 156316 | Spit 1500 (Overdrive) | 1 |
| | GSD104 | Vitesse (Standard) & GT6 (Overdrive) | 1 |
| | GSD117 | Vitesse (Overdrive) | 1 |
| 58 | TACHO CABLES | | |
| | 138316 | Spit 1/2/3 (31") | 1 |
| | 144370 | Spit 4 & GT6 (42") | 1 |
| | 140136 | Vitesse (51") | 1 |
| 59 | 602037 | Grommet Speedo & Tacho Cables | 2 |

FOOTNOTES

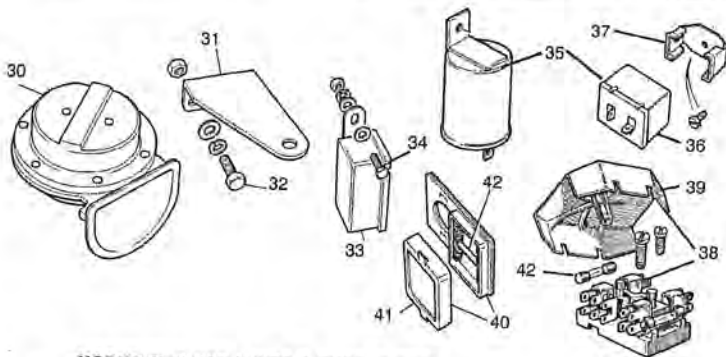
- ① = 14.5" Between Wiper Wheelboxes
 ② = 19.5" Between Wiper Wheelboxes
 → ③ = Upto (c) FH100020 Spit 1500
 ③ → = From (c) FH100021 Spit 1500
 ⑤ → = From (c) GA211858 Saloon/Coupe & GA212370 Convertible

COLUMN SWITCHES, HORNS, FLASHERS & WIRING

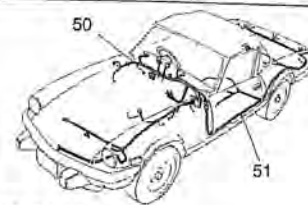


| | | | |
|-----------|--|-------------------------------------|-----|
| 1 | COLUMN LIGHT SWITCHES | | |
| 147278 | Spit 1/2/3 & Her 1360 & Vit 1/2 & GT6 1 | 1 | |
| 131275 | Her 1200 & Vit 6 (No Headlamp Flasher) | 1 | |
| 131277 | Her 1200 & Vit 6 (With Headlamp Flasher) | 1 | |
| 152616 | Spit 4/1500 → ① & GT6 2/3 | 1 | |
| 2 | COLUMN INDICATOR SWITCHES | | |
| 158966 | Spit 1/2/3/4/1500 → ① & GT6 & Her & Vit | 1 | |
| TP402W | Screw&Washer-Column Switch Fixing | 2 | |
| AAU7994 | Column Indicator Switch-Spit 1500 ① → | 1 | |
| AAU8843 | Column Wiper Switch-Spit 1500 ① → | 1 | |
| 3 | STEERING COLUMN COWLS | | |
| 708479 | Spit 1/2/3/4/1500 → ① & GT6 & Her & Vit | 2 | |
| 611012 | Indicator Sticker-All Models | 1 | |
| 611400 | Light Sticker-Spit 1/2/3 & Her/Vit & GT6 1 | 1 | |
| 621967 | Light Sticker-Spit 4/1500 → ① & GT6 2/3 | 1 | |
| 9 | FC2803/9 | 2 | |
| 510273 | Screw-Column Cowls | 2 | |
| 11 | XKC2343/4 | Steering Column Cowls-Spit 1500 ① → | 1pr |
| 12 | SE104601 | Screw Column Cowls-Spit 1500 ① → | 2 |
| 15 | HORN PUSHES | | |
| 150277 | Spit 1/2/3 & GT6 1/2 & Her/Vit (Shield Logo) | 1 | |
| 159761 | Spit 4/1500 → ① & GT6 3 (TRIUMPH Logo) | 1 | |

| | | | |
|----|--|--|---|
| 16 | 142534 | Horn Brush | 1 |
| 17 | 204741 | Clip Horn Push (Where Fitted) | 1 |
| 18 | 608462 | Horn Brush Contact Ring (Top Of Column) | 1 |
| 20 | IGNITION SWITCH (DASH MOUNTED) | | |
| | 127651 | Switch-Spit 1/2/3 & GT6 1/2 & Her & Vit | 1 |
| 21 | 24G1345 | Barrel & Keys for Dash Ignition Switch | 1 |
| 22 | IGNITION SWITCH & STEERING COLUMN LOCK ASSEMBLY | | |
| | 219061/1 | Spit 4 → ② & GT6 3 | 1 |
| | UKC2719/1 | Spit 4 ② →/1500 → ① | 1 |
| 23 | IGNITION SWITCH & STEERING COLUMN LOCK ASSEMBLY | | |
| | RKC3982 | Spit 1500 ① → | 1 |
| 24 | IGNITION SWITCH ONLY | | |
| | 158459 | Spit 4 → ② & GT6 3 * Spade Connectors * | 1 |
| | 218959 | Spit 4 ② →/1500 * Loom Connector * | 1 |
| 25 | SHEAR BOLT FOR STEERING COLUMN LOCKS | | |
| | 518188 | Spit 4/1500 → ① | 2 |
| | 152597 | Spit 1500 ① → | 2 |
| 26 | 718813 | Cowl Column Lock-Spit 4/1500 → ① & GT6 3 | 1 |
| 27 | 627340 | Strap-Column Lock Cowl | 1 |
| 28 | HN2005W | Nut & Washers | 2 |



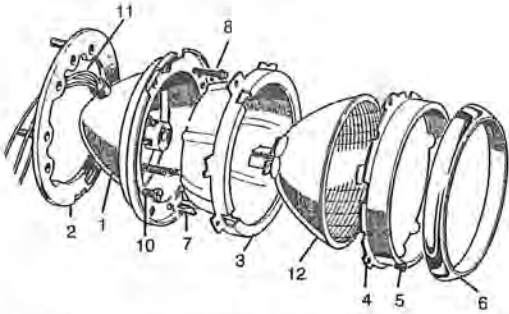
| | | | |
|-----------|--|---------------------------------------|-----|
| 30 | HORNS, FLASHER UNITS & FUSE BOXES | | |
| GGE103 | Horn High Note (Plastic) -REPRO | 1 | |
| GGE104 | Horn Low Note (Plastic) -REPRO | 1 | |
| 31 | 156275/6 | Horn Mounting Brackets-Spit & GT6 | 1pr |
| 32 | HU705C | Bolt & Nut & Washers | 4 |
| 33 | 137747 | Horn Relay-Spit 1/2/3/4 & GT6 1/2/3 | 1 |
| | CHM68 | Horn Relay-Spit 1500 → | 1 |
| 34 | 510503C | Screw & Nut & Washers-Horn Relay Mntg | 2 |
| 35 | FLASHER UNITS | | |
| GFU2103 | Spit 1/2/3 & GT6 1 & Her/Vit (3 Pin) | 1 | |
| GFU2124 | Spit 4/1500 & GT6 2/3 (2 Pin) | 1 | |
| 36 | HAZARD FLASHER UNITS | | |
| GFU2204 | Spit 1500 & GT6 2/3 (2 Pin) | 1 | |
| 37 | 148621 | Clip-Flasher & Hazard Flasher Units | 1/2 |
| 38 | 606253A | 2 Fuse Box-Spit 1/2 & Vitesse | 1 |
| 39 | 505158A | Cover Fuse Box-Spit 1/2 & Vitesse | 1 |
| 40 | 521030 | Fuse Box-Spit 3/4/1500 & GT6 | 1 |
| 41 | 516506 | Cover Fuse Box-Spit 3/4/1500 & GT6 | 1 |
| 42 | GFS35 | Fuse 35A | A/R |
| 45 | COURTESY LIGHT SWITCHES-DOOR | | |
| AAU1876A | Spit 4 → ③ & GT6 3 (Single Bullet) | 2 | |
| AAU1908A | Spit 4 ③ →/1500 (Single Spade) | 2 | |
| 606240 | GT6 1/2 | 2 | |
| 606241 | Herald/Vitesse | 2 | |
| 46 | COURTESY LIGHT SWITCHES-BOOT/TAILOUT | | |
| 606239 | GT6 1/2/3 | 1 | |
| 606240 | Spit 4/1500 | 1 | |



| | | | |
|--------------|---|--|-----|
| 50,51 | WIRING LOOM (MAIN & REAR) | | |
| | -STATE MODEL & COMMISSION NUMBER | | |
| | Herald 1200 | 1 | |
| | Herald 1360 | 1 | |
| | Vitesse | 1 | |
| | Spit 1/2 | 1 | |
| | Spit 3 | 1 | |
| | Spit 4 | 1 | |
| | GT6 1 | 1 | |
| | GT6 2 | 1 | |
| | GT6 3 | 1 | |
| 50 | Wiring Loom (Main Only)-State Commission Number-Spit 1500 | 1 | |
| 51 | Wiring Loom (Rear Only)-State Commission Number-Spit 1500 | 1 | |
| 52 | OVERDRIVE HARNESS SET-GT6 & VITESSE | | |
| 53 | 147777 | Std G/Box Harness-Spit/GT6 | 1 |
| | 147688 | D Type O/Drive Relay Harness-Spit 3 | 1 |
| | 155983 | D Type O/Drive Relay Harness-Spit 4 | 1 |
| 55 | 138322 | D Type O/Drive G/Box Harness-Spit 3 | 1 |
| | 155985 | D Type O/Drive G/Box Harness-Spit 4 | 1 |
| | 159653 | J Type O/Drive G/Box Harness-Spit 4 | 1 |
| | UKC4612 | J Type O/Drive G/Box Harness-Spit 1500 | 1 |
| 60 | CON-01 | Single Female Bullet Connector Sleeve | A/R |
| | CON-02 | Double Female Bullet Connector Sleeve | A/R |
| | CON-03 | Triple Female Bullet Connector Sleeve | A/R |
| 61 | 093632 | Bullet Connector (Solder On) | A/R |
| 62 | 27H6713 | Push Fit Bullet Connector-Early Lamps | A/R |

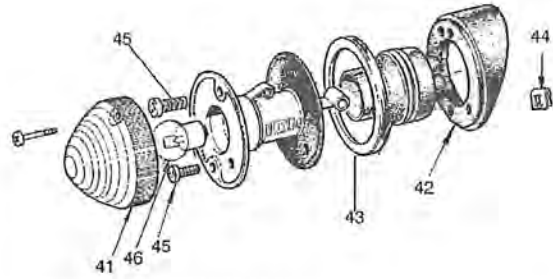
FOOTNOTES
 → ① = Uplo (c) FH100020 Spit 1500
 ① → = From (c) FH100021 Spit 1500
 → ② = Uplo (c) FH62644 Spit 4 Spade Type Connectors
 ② → = From (c) FH62645 Spit 4 Loom Connector
 → ③ = Uplo (c) FH60000 Spit 4
 ③ → = From (c) FH60001 Spit 4

LIGHTING - SPITFIRE/GT6



HEADLAMPS-SPITFIRE/GT6 & HERALD

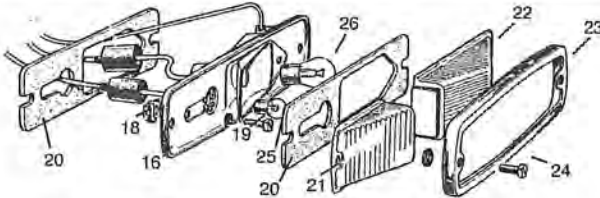
| | | | |
|----|-----------|-------------------------------------|-----|
| 1 | 520080 | H/Lamp Bowl & Adjusters (LUCAS) | 2 |
| | 520080B | H/Lamp Bowl ONLY (Reproduction) | 2 |
| 2 | 13H565 | Gasket-Headlamp Bowl to Body | 2 |
| 3 | 515045 | Inner Headlamp Bowl | 2 |
| 4 | 515218 | Inner Headlamp Rim | 2 |
| 5 | AB606021 | Screw-Inner Rim to Inner Bowl | 6 |
| 6 | 119072 | Headlamp Rim-Spit 1/2/3 & GT6 1/2 | 2 |
| 7 | BAU1460TR | Rim Clip-Spit 1/2/3 & GT6 1/2 | 2 |
| 8 | BHM7058 | Headlamp Adjuster Kit | 2 |
| 9 | FC2804 | Spire Nut-Headlamp Bowl to Body | 8 |
| 10 | GHF424 | Screw-Headlamp Bowl to Body | 8 |
| 11 | 511500 | Headlamp Wiring Loom | 2 |
| 12 | GLU104 | H/Lamp Sealed Beam Unit(60/45W-RHD) | 2 |
| | S4695B | WIPAC Halogen H/L Kit (60/55W-RHD) | 1pr |



(Item 40 does not include 42, 43, 44, 45)

REAR FLASHER LAMPS-SPIT 3 & GT6 2

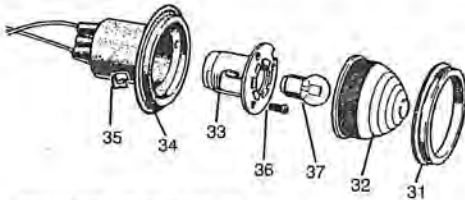
| | | | |
|----|----------|----------------------------------|--------|
| 40 | 147551 | Rear Flasher Lamp Assembly | 2 |
| 41 | 516301 | Lens(Plastic)-Amber | 2 |
| 42 | 147592 | Plinth-Rear Flasher Lamp | 2 |
| 43 | 147553 | Bezel-Rear Flasher Lamp | 2 |
| 44 | AK606021 | Spire Clip | 6 |
| 45 | AB606101 | Screw-Lamp/Plinth to Body-Medium | 1 1/4" |
| | AB606121 | Screw-Lamp/Plinth to Body-Long | 1 1/2 |
| | AB606081 | Screw-Lamp/Plinth to Body-Short | 1" |
| 46 | GLB382 | Bulb-Rear Flasher | 2 |



(Item 15 does not include 18, 19)

FRONT SIDE & FLASHER LAMPS-SPIT 3/4/1500 & GT6 2/3

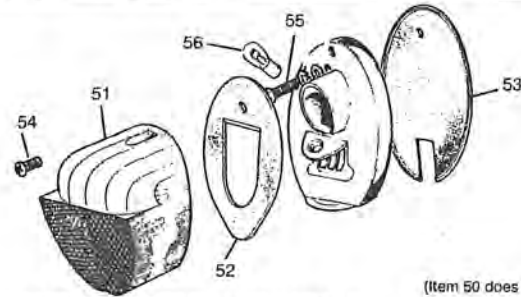
| | | | |
|----|-----------|---|---------------|
| 15 | 155416 | Side/Flasher Lamp-Flat Type Lens | 2 use BHA4966 |
| | UKC5992 | Side/Flasher Lamp-Pointed Type Lens | 2 use BHA4966 |
| | BHA4966 | Side/Flasher Lamp-REPLACEMENT | 2 |
| 16 | BHA4966BP | Backplate (Wired)-Side/Flasher Lamp | 2 |
| 17 | HN2005W | Nut & Washers-BHA4966 Fixing | 4 |
| 18 | FZ34044 | Clip & Nut-155416 & UKC5992 Fixing | 4 |
| 19 | PT503W | Screw & Washer-155416 & UKC5992 Fixing | 4 |
| 20 | 154049 | 57H5572 Gasket-Backplate to Lens & Body | 4 |
| 21 | 520083 | Clear Lens (Flat Type) | 2 use 516308 |
| | 516308 | Clear Lens (Pointed Type) | 2 |
| 22 | 520082 | Amber Lens (Flat Type) | 2 use 516306 |
| | 516306 | Amber Lens (Pointed Type) | 2 |
| 23 | 516304 | Rim | 2 |
| 24 | 516305 | Screw 57H5569 | 2 |
| 25 | GLB989 | Bulb-Sidelight | 2 |
| 26 | GLB382 | Bulb-Flasher | 2 |



(Item 30 does not include 35, 36)

FRONT SIDE LAMPS & FRONT OR REAR FLASHER LAMPS-SPIT 1/2 & GT6 1

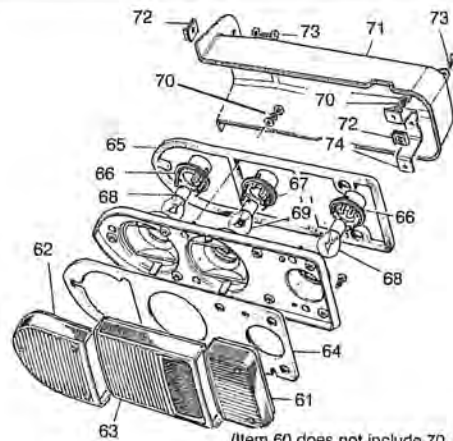
| | | | |
|----|----------|------------------------------------|----|
| 30 | 121355 | Front Side Lamp Assembly | 2 |
| | 121356 | Front & Rear Flasher Lamp Assembly | 2 |
| 31 | 508163 | Rim | 6 |
| 32 | 505886 | Lens(Glass)-Clear | 2 |
| | 505887 | Lens(Glass)-Amber | 4 |
| 33 | 508165 | Bulb Holder | 6 |
| 34 | 508162 | Lamp Boot | 6 |
| 35 | AK606021 | Spire Clip-Side/Flasher Lamps | 18 |
| 36 | GHF421 | Screw-Side/Flasher Lamps | 18 |
| 37 | GLB382 | Bulb-Side/Flasher | 6 |



(Item 50 does not include 55)

REAR STOP/TAIL LAMP-SPIT 1/2/3 & GT6 1/2

| | | | |
|----|--------|---------------------------------|---|
| 50 | 217025 | Stop/Tail Lamp Assembly | 2 |
| 51 | 511800 | Lens-Stop/Tail | 2 |
| 52 | 511802 | Gasket-Lens to Lamp | 2 |
| 53 | 511803 | Gasket-Lamp to Body | 2 |
| 54 | 511801 | Screw-Stop/Tail Lens | 2 |
| 55 | PT505W | Screw & Washer-Rear Lamp Fixing | 4 |
| 56 | GLB380 | Bulb-Stop/Tail | 2 |



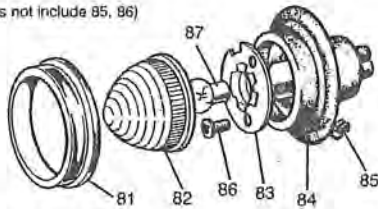
(Item 60 does not include 70, 71, 72, 73, 74)

REAR LAMP ASSEMBLY-SPIT 4/1500 & GT6 3

| | | | |
|----|-----------|----------------------------------|-----|
| 60 | TKC940/1 | Rear Lamp Assembly | 2 |
| 61 | RTC1174 | Lens(Clear)-Reverse Lamp | 2 |
| 62 | RTC1176 | Lens(Amber)-Flasher Lamp | 2 |
| 63 | RTC1177 | Lens(Red)-Stop/Tail | 2 |
| 64 | 520091 | Gasket-Lens to Lamp | 2 |
| 65 | RTC1175 | Gasket-Lamp to Body | 2 |
| 66 | 518042 | Bulb Holder-Flasher/Reverse | 4 |
| 67 | 518041 | Bulb Holder-Stop/Tail | 2 |
| 68 | GLB382 | Bulb-Flasher/Reverse | 4 |
| 69 | GLB380 | Bulb-Stop/Tail | 2 |
| 70 | HN2005 | Nut & Washer-Rear Lamp to Body | 6 |
| 71 | 818761/71 | Cover Rear Lamp | 1pr |
| 72 | GHF713 | Spire Nut-Rear Lamp Cover Fixing | 4 |
| 73 | YZ3504 | Screw-Rear Lamp Cover Fixing | 4 |
| 74 | 624672 | Bracket-Rear Lamp Cover Fixing | 2 |

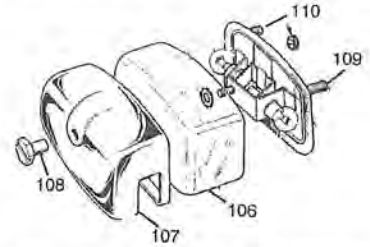
LIGHTING - SPITFIRE/GT6 & DASH BOARD SWITCHES

(Item 80 does not include 85, 86)



REVERSE LAMP ASSEMBLY-SPIT 3 → ① & GT6 1/2 → ②

| | | | |
|----|----------|-------------------------------|---|
| 80 | 131608 | Reverse Lamp Assembly | 2 |
| 81 | 508163 | Rim | 2 |
| 82 | 505886 | Lens(Glass)-Clear | 2 |
| 83 | 508165 | Bulb Holder | 2 |
| 84 | 508162 | Lamp Boot | 2 |
| 85 | AK606021 | Spire Clip-Side/Flasher Lamps | 6 |
| 86 | GHF421 | Screw-Side/Flasher Lamps | 6 |
| 87 | GLB382 | Bulb-Reverse | 2 |

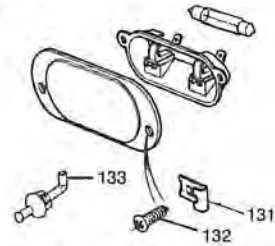


NUMBER PLATE LAMP-SPIT 1/2/3 → ① & GT6 1/2 → ②

| | | | |
|-----|---------|----------------------------|-----|
| 105 | 127916 | Number Plate Lamp Assembly | 1 |
| 106 | 500492 | Glass | 1 |
| 107 | 502264 | Cover | 1 |
| 108 | 509736 | Dome Nut | 1 |
| 109 | HN2005W | Nut & Washer | 2 |
| 110 | 061917 | Wiring Grommet | A/R |

REVERSE & NUMBER PLATE LAMP-SPIT 3 ① → & GT6 2 ② →

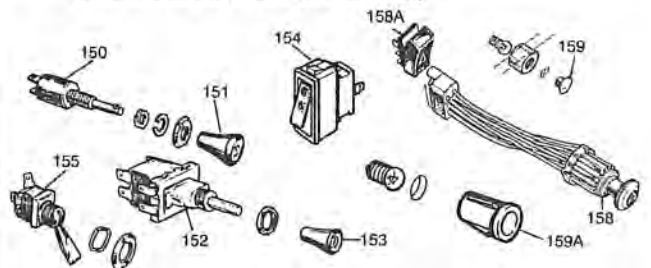
| | | | |
|-----|---------|-------------------------------------|---|
| 90 | 153965 | Reverse Lamp Assembly | 1 |
| 91 | 510762 | Lens(Plastic)-Clear | 1 |
| 92 | 510761 | Rim | 1 |
| 93 | 510763 | Screw-Lens Fixing | 2 |
| 94 | GLB382 | Bulb-Reverse Lamp | 1 |
| 95 | 154199 | Number Plate Lamp (142002) | 2 |
| 96 | 131465 | Cover | 2 |
| 97 | 510875 | Lens | 2 |
| 98 | 517952 | Screw | 4 |
| 99 | GLB501 | Bulb-Number Plate Lamp | 2 |
| 100 | 817385 | Reverse & Number Plate Lamp Housing | 1 |
| 101 | 627282 | Seal-Housing to Body | 1 |
| 102 | HN2005W | Nut & Washer | 4 |



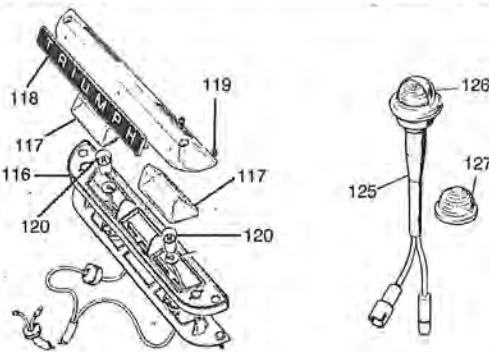
BOOT LAMP-SPIT 4/1500

| | | | |
|-----|--------|--------------------|---|
| 130 | 151351 | Boot Lamp Assembly | 1 |
| 131 | GHF711 | Spire Nut | 2 |
| 132 | YZ3365 | Screw | 2 |
| 133 | 606240 | Switch-Boot Lamp | 1 |

DASHBOARD SWITCHES (ALL MODELS)



| | | | |
|---------|---|------------------------------------|---|
| 150 | WIPER SWITCHES | | |
| 130544 | Spit 1/2/3 & Vit 6 ⑥ →/1 | 1 | |
| 107285 | Her 1200 & Vit 6 → ⑥ | 1 | |
| 143841 | GT6 1 | 1 | |
| 151 | 704875 | Knob Wiper Switch | 1 |
| 152 | MAIN LIGHT SWITCH-SPIT 1/2/3 & GT6 1 & HER/VIT | | |
| 131812 | Spit 1/2/3 & Her 1360 & Vit 6 ⑥ →/1/2 | 1 | |
| 131812A | Flick Switch-Alternative to 131812 | 1 | |
| 125245 | Her 948/1200 & Vit 6 → ⑥ | 1 | |
| 145203 | GT6 1 | 1 | |
| 153 | KNOBS-MAIN LIGHT SWITCHES | | |
| 704885 | Spit 1/2/3 | 1 | |
| 704877 | Her 1200 & Vit 6/1 | 1 use 70481 | |
| 622672 | Her 1360 & Vit 2 | 1 | |
| 154 | MAIN LIGHT SWITCH-SPIT 4/1500 & GT6 2/3 | | |
| 157353 | Spit 4 (Plastic Dash) | 1 use 15094 | |
| 148437 | Bezel required for 150380 to replace 157353 | 1 | |
| 150380 | Spit 4/1500 & GT6 2/3 **2 Symbols** | 1 | |
| UKC8647 | Spit 4/1500 & GT6 2/3 **1 Symbol** | 1 | |
| 155 | HEATER SWITCH | | |
| RTC430A | Spit 1/2/3 & Herald & Vitesse | 1 | |
| 144530 | GT6 1 | 1 | |
| 156 | ROOF LAMP SWITCH (NOT ILLUSTRATED) | | |
| 143843 | GT6 1 | 1 | |
| 150379 | GT6 2/3 | 1 | |
| 157 | HEATED REAR WINDOW SWITCH (NOT ILLUSTRATED) | | |
| 150377 | GT6 2/3 | 1 | |
| 158 | HAZARD WARNING SWITCH | | |
| 159905 | Spit 1500 ⑤ → | 1 | |
| GLB281 | Bulb for 159905 | 1 | |
| 158A | 156044 | Spit 1500 → ⑤ & GT6 3 & Spit 4 LHD | 1 |
| 150381 | GT6 2 | 1 use 15604 | |
| 159 | FLASHER WARNING LAMPS | | |
| 508138 | Green Lens-Spit 1/2/3 & Her 1200 & Vit | 1 | |
| 159A | 158917 | Lens & Bulb Holder-Spit 4/1500 | 1 |
| GLB643 | Bulb-Flasher Warning | A/R | |
| 160 | ZKC1152 | Cigarette Lighter-Spit 1500 (Alt) | 1 |



NUMBER PLATE LAMP-SPIT 4/1500 → ④

| | | | |
|---------|--------------------|----------------------------|---|
| 115 | 718028 | Number Plate Lamp Assembly | 1 |
| 116 | 215823 | Seal-Backplate to Bumper | 1 |
| 117 | 37H4187 | Lens LH | 1 |
| 37H4188 | Lens RH | 1 | |
| 118 | 626859 | Plinth & Badge TRIUMPH | 1 |
| 626859F | Badge Only TRIUMPH | 1 | |
| 119 | FR1202 | Clip-626859 to Cover | 3 |
| 120 | GLB207 | Bulb | 2 |

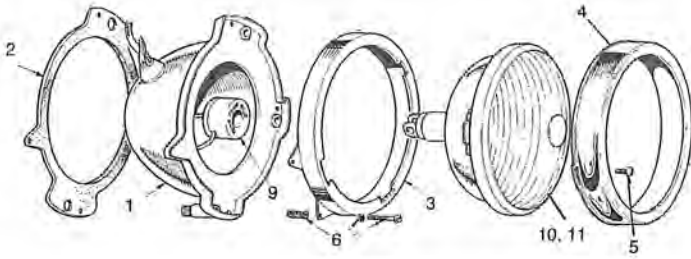
NUMBER PLATE LAMP-SPIT 1500 ④ →

| | | | |
|-----|---------|----------------------------|---|
| 125 | UKC7274 | Number Plate Lamp Assembly | 2 |
| 126 | BAU1797 | Cover | 2 |
| 127 | 510875 | Lens | 2 |

FOOTNOTES

- ① = Upto (c) FD75000 Spit 3
- ① → = From (c) FD75001 Spit 3
- ② = Upto (c) KC75000 GT6 2
- ② → = From (c) KC75001 GT6 2
- ③ = Upto (c) GA173302 Her 1200 & GD31636 Her 1250
- ③ → = From (c) GA173303 Her 1200 & GD31637 Her 1250
- ④ = Upto (c) FH116000 Spit 1500
- ④ → = From (c) FH116001 Spit 1500
- ⑤ = Upto (c) FH100020 Spit 1500
- ⑤ → = From (c) FH100021 Spit 1500
- ⑥ = Upto (c) HB15000 Vit 6
- ⑥ → = From (c) HB15001 Vit 6

LIGHTING - HERALD/VITESSE

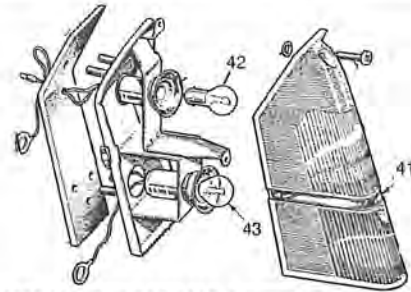


HEADLAMPS-HERALD

** See Page 43, Headlamps-Spit/GT6 & Herald **

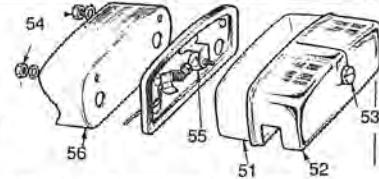
HEADLAMPS-VITESSE

| | | | |
|----|---------|---|-----|
| 1 | 511598B | Headlamp Bowl | 4 |
| 2 | 511602 | Gasket-Headlamp Bowl to Body | 4 |
| 3 | 511598A | Inner Headlamp Seating Bowl | 4 |
| 4 | 511598 | Inner Headlamp Rim | 4 |
| 5 | 511394 | Screw-Inner Film to Seating Bowl | 6 |
| 6 | 511601 | Headlamp Adjusters | 4 |
| 7 | FJ2444 | Spire Nut-Headlamp Bowl to Body | 16 |
| 8 | GHF423 | Screw-Headlamp Bowl to Body No 8 | 16 |
| 9 | 511600 | Headlamp Wiring Loom | 2 |
| 10 | GLU102 | H/Lamp Sealed Beam Unit-Outer(Dip/Main) | 2 |
| | GLU103 | H/Lamp Sealed Beam Unit-Inner(Main) | 2 |
| 11 | | Halogen Headlamp Kit | 2pr |



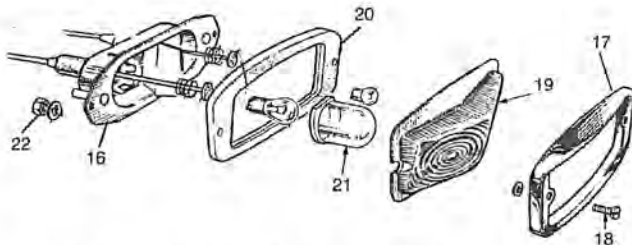
REAR LAMP ASSEMBLY-HERALD & VITESSE

| | | | |
|----|--------|------------------------|---|
| 40 | 212124 | Rear Lamp Assembly ③ → | 2 |
| | 121400 | Rear Lamp Assembly → ③ | 2 |
| 41 | 514416 | Lens-Rear Lamp ③ → | 2 |
| | 508542 | Lens-Rear Lamp → ③ | 2 |
| 42 | GLB382 | Bulb-Rear Flasher | 2 |
| 43 | GLB380 | Bulb-Stop/Tail | 2 |



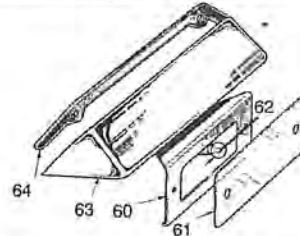
NUMBER PLATE LAMP-HERALD 948/1200

| | | | |
|----|---------|---------------------------------|---|
| 50 | 127916 | Number Plate Lamp | 1 |
| 51 | 500492 | Glass | 1 |
| 52 | 502264 | Cover | 1 |
| 53 | 509736 | Dome Nut | 1 |
| 54 | HN2005W | Nut & Washer | 2 |
| 55 | GLB989 | Bulb-Number Plate Lamp | 2 |
| 56 | 609680 | Cowl No Plate Lamp-Her 1200/948 | 1 |
| 57 | 607880 | Seal No Plate Lamp-Her 1200/948 | 1 |



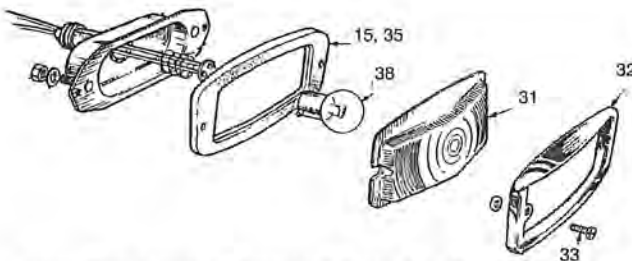
FRONT SIDE/FLASHER LAMP-HERALD/VITESSE (TWO SINGLE FILAMENT BULBS)

| | | | |
|----|---------|----------------------------------|---|
| 15 | 205526 | Side/Flasher Lamp (Pointed Lens) | 2 |
| | 13H428 | Side/Flasher Lamp LH (Flat Lens) | 1 |
| | 13H429 | Side/Flasher Lamp RH (Flat Lens) | 1 |
| 16 | SML101 | Backplate Only (Wired) | 2 |
| 17 | 505491 | Rim | 2 |
| 18 | 503561 | Screw | 2 |
| 19 | 505492 | Lens(Glass)-Pointed Type | 2 |
| | 57H5159 | Lens(Glass) LH-Flat Type | 1 |
| | 57H5158 | Lens(Glass) RH-Flat Type | 1 |
| 20 | 122229 | Gasket | 1 |
| 21 | 505854 | Cover(Glass)-Amber | 2 |
| 22 | HN2005W | Nut & Washer | 4 |
| 23 | GLB989 | Bulb-Sidelight | 2 |
| 24 | GLB382 | Bulb-Flasher | 2 |



NUMBER PLATE LAMP-HER 1360 & VIT 6/1

| | | | |
|----|--------|-----------------------------------|-----|
| 60 | 703829 | Number Plate Lamp-Sal & Conv | 1 |
| 61 | 608051 | Lens Number Plate Lamp-Sal & Conv | 1 |
| 62 | GLB989 | Bulb-Number Plate Lamp | 1 |
| 63 | 712412 | Cowl-1360 Sal & Conv | 1 |
| | 704789 | Cowl-Vit 6/1 & 1360 Est | 1 |
| 64 | 705211 | Seal Cowl to Bootlid | 1 |
| 65 | PX454C | Screw/Nut/Washers-Cowl to Bootlid | 2/4 |
| 66 | 510239 | Screw/Nut/Washer-Lamp to Bootlid | 2 |



FRONT SIDE/FLASHER LAMP-SOME HERALD 1200 (ONE DOUBLE FILAMENT BULB)

| | | | |
|----|--------|---------------------|---|
| 30 | 131284 | Side/Flasher Lamp | 2 |
| 31 | 510762 | Lens(Plastic)-Clear | 2 |
| 32 | 510761 | Rim | 2 |
| 33 | 510763 | Screw | 4 |
| 34 | 510764 | Gasket-Lens to Lamp | 2 |
| 35 | 510765 | Gasket-Lamp to Body | 2 |
| 36 | FS2701 | Spire Nut | 4 |
| 37 | YZ3344 | Screw | 4 |
| 38 | GLB380 | Bulb-Side/Flasher | 2 |



REVERSE & NUMBER PLATE LAMP-VITESSE 2 (NOT ILLUSTRATED)

| | | | |
|----|--------|---------------------------------------|---|
| 70 | 146735 | Reverse & Number Plate Lamp | 1 |
| 71 | 811409 | Cowl | 1 |
| 72 | 705211 | Seal-Cowl | 1 |
| 73 | PX454C | Screw & Nut & Washers-Cowl to Bootlid | 4 |
| 75 | GLB382 | Bulb-Reverse Lamp | 1 |
| 76 | GLB233 | Bulb-Number Plate Lamp | 2 |

ROOF LIGHT ASSEMBLY-HERALD & VITESSE SALOON

| | | | |
|----|--------|--------------------|-----|
| 80 | 604291 | Roof Lamp Assembly | 1/2 |
| 81 | 502356 | Lens-Roof Lamp | 1/2 |
| 82 | GLB239 | Bulb-Roof Lamp | 1/2 |

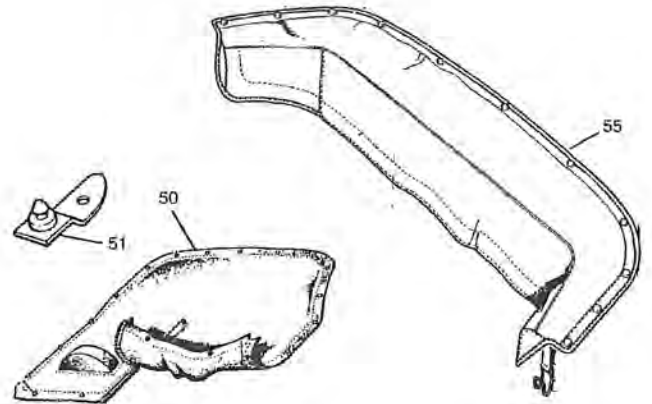
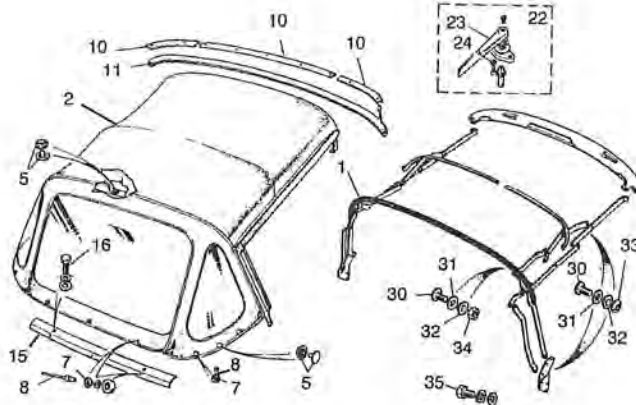
FACIA LAMP ASSEMBLY

| | | | |
|----|--------|-----------------|---|
| 85 | 611769 | Facia Lamp | 1 |
| 86 | GLB239 | Bulb-Facia Lamp | 1 |

FOOTNOTES

→ ③ = Upto (c) GA173302 & GD31636
 ③ → = From (c) GA173303 & GD31637

HOODS, TONNEAUS & HARDTOPS - SPITFIRE



1 HOOD FRAMES

| | | |
|---------|---------------------------|---|
| 903463 | Spit 1/2 | 1 |
| 907112 | Spit 3 → ① Toggle Catches | 1 |
| 910088 | Spit 3 ① → Lever Catches | 1 |
| WKC1650 | Spit 4/1500 | 1 |

2 REPLACEMENT (DIY) HOODS-BLACK VYNIDE

| | | |
|------|-------------------|---|
| HD-1 | Spit 1/2 | 1 |
| HD-3 | Spit 3 | 1 |
| HD-5 | Spit 4/1500 (ZRW) | 1 |

2A REPLACEMENT (DIY) HOODS-OPTIONS

| | | |
|---------|------------------------------|---|
| HD-1-W | Spit 1/2-White Hood | 1 |
| HD-1-BD | Spit 1/2-Black Duck Hood | 1 |
| HD-3-W | Spit 3-White Hood | 1 |
| HD-3-Z | Spit 3-Black Hood (ZRW) | 1 |
| HD-3-BD | Spit 3-Black Duck Hood | 1 |
| HD-5-W | Spit 4/1500-White Hood (ZRW) | 1 |
| HD-5-BD | Spit 4/1500-Black Duck (ZRW) | 1 |

** Other Colour and material Options Available **

5 HOOD/TONNEAU SOCKET & BUTTON

| | | |
|---------|--------------------------|-----|
| 7H9864K | Chrome Top-Metal Socket | A/R |
| ZKC751K | Black Top-Metal Socket | A/R |
| ZKC751P | Black Top-Plastic Socket | A/R |
| GAC5060 | Socket & Button Tool | 1 |

7 BODY STUDS

| | | |
|--------|--------------------|-----|
| 610624 | Chrome Metal Stud | A/R |
| 713511 | Black Plastic Stud | A/R |

8 GHF600 Rivet-Body Stud Fixing

** Plastic & Metal Studs & Sockets should not be mixed **

| | | | |
|----|--------|--------------------------------|--------------|
| 10 | 713036 | Centre H/Rail Seal Retainer | 1 |
| | 713037 | LH H/Rail Seal Retainer | 1 |
| | 713038 | RH H/Rail Seal Retainer | 1 |
| 11 | 629584 | Seal Header Rail-Spit 4/1500 | 1 |
| | 616187 | Seal Header Rail-Spit 3 | 1 |
| 15 | 711985 | Rear Hood Retainer-Spit 3 | 1 use 715842 |
| | 715842 | Rear Hood Retainer-Spit 4/1500 | 1 |
| 16 | 624818 | Bolt & Washers(Chrome) | 2 |

| | | | |
|----|---------|--------------------------------------|---|
| 20 | 609331 | Hood Catch (Toggle Type)-Spit 3 → ① | 2 |
| | 509210C | Screw/Nut & Washers-Hood Catch | 4 |
| 21 | 609332 | Catch Plate (Toggle Type)-Spit 3 → ① | 2 |
| | 509210W | Screw & Washers-609332 to Screen | 4 |
| 22 | 623469 | LH Hood Handle Ass-Spit 3 ① → | 1 |
| | 623470 | RH Hood Handle Ass-Spit 3 ① → | 1 |
| | 624545 | LH Hood Handle Ass-Spit 4/1500 | 1 |
| | 624546 | RH Hood Handle Ass-Spit 4/1500 | 1 |
| 23 | 621757 | Handle Only-Spit 3 ① →/4/1500 | 2 |
| 24 | 509199C | Screw/Nut & Washers-Spit 3 ① → | 4 |
| | 512381W | Screw & Washers-Spit 4/1500 | 4 |

30-34 HOOD FRAME SCREWS-SPIT 4/1500 ONLY

| | | | |
|----|--------|----------------------------------|----|
| 30 | 624569 | Screw (Domed) | 20 |
| 31 | 624583 | Washer (Plastic) | 20 |
| 32 | 624580 | Bush (Plastic) | 20 |
| 33 | 624584 | Nut (Domed) | 18 |
| 34 | JN2107 | Nut Thin Plain | 2 |
| 35 | HU708W | Bolt & Washer-Hood Frame to Body | 6 |

TONNEAU

50 TONNEAU COVERS-BLACK VYNIDE

| | | |
|------|----------------------|---|
| TN-1 | Spit 1/2 | 1 |
| TN-3 | Spit 3 | 1 |
| TN-4 | Spit 4-Non Headrest | 1 |
| TN-5 | Spit 4/1500-Headrest | 1 |

** Various Colour and Material Options Available **

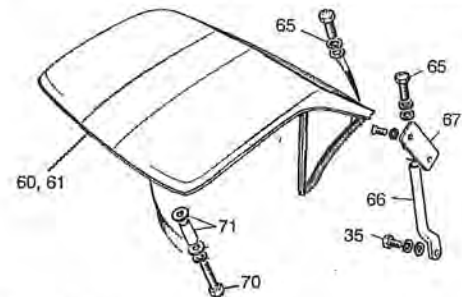
51 DASH TONNEAU BRACKETS

| | | |
|--------|---------------------------------|---|
| 630512 | LH Air Vent Bracket-Spit 4/1500 | 2 |
| 630513 | RH Air Vent Bracket-Spit 4/1500 | 2 |
| 617297 | Centre Bracket-Spit 2/3 | 1 |
| 617298 | Outer Bracket-Spit 2/3 | 2 |
| 611707 | Centre Bracket-Spit 1 | 1 |
| 611709 | Outer Bracket-Spit 1 | 2 |

55 HOOD STORAGE COVERS-BLACK VYNIDE

| | | |
|---------|----------------------------|---|
| HS-3 | Spit 3 | 1 |
| HS-3-BW | Spit 3 (incl White Piping) | 1 |
| HS-5 | Spit 4/1500 | 1 |

** Various Colour and Material Options Available **



HARDTOP

60 HARDTOPS (STEEL)

| | | | |
|----|----------|---------------------------------|---|
| 61 | 61 | HARDTOP (FIBREGLASS COPY)-BLACK | 1 |
| | 575621FG | Spit 1/2/3 *Gloss Only* | 1 |
| | NKC344FG | Spit 4/1500 *Vinyl or Gloss* | 1 |

62 HEADLINING KITS

| | | |
|--------|------------------------------------|---|
| HL1640 | Spit 1/2/3 (White) | 1 |
| HL1639 | Spit 4/1500 (White, Beige or Grey) | 1 |
| HL1638 | GT6 1/2/3 (White or Black) | 1 |

HARDTOP FIXINGS-SPIT 4/1500 ONLY

| | | | |
|----|---------|-----------------------------|---|
| 65 | 624818W | Bolt & Washers-Rear & Sides | 4 |
| 66 | 624873 | LH Body Mounting Bracket | 1 |
| | 624874 | RH Body Mounting Bracket | 1 |
| 67 | 716025 | LH Hardtop Mounting Bracket | 1 |
| | 716026 | RH Hardtop Mounting Bracket | 1 |
| 70 | 622888 | Bolt & Washers-Front | 2 |
| 71 | 624825 | Spacer Tube-Front | 2 |

FOOTNOTES

→ ① = Up to (c) FD13980 Spit 3 RHD
 ① → = From (c) FD13981 Spit 3 RHD

(ZRW) = Zip Rear Window