



PART OF DAVID MANNERS GROUP

SUPPLYING QUALITY GENUINE, OE & AFTERMARKET
PARTS & ACCESSORIES



MORRIS MINOR CENTRE BIRMINGHAM PARTS CATALOGUE



0121 544 5522

ENQUIRIES@DAVIDMANNERS.CO.UK

WWW.MORRISMINORCENTREBHAM.CO.UK

PARTS FOR CLASSIC MINI | JAGUAR & DAIMLER | MG & TRIUMPH | MORRIS MINOR | MX5

CONTENTS (A-Z)

PART:	PAGE:
AIR CLEANER	17, 18
AIR FILTER	18
ALUMINIUM PANELS	40
AXLE ASS'Y	24
BADGES REAR	43
BADGES FRONT	41
BATTERY	29
BAULK RINGS	13
BEZEL LAMP	35, 36, 37
BIG END BEARINGS	4
BONNET & FITTINGS	41
BRAKE DRUMS	25
BRAKE HOSES & PIPES	26
BRAKE LIGHT SWITCH	26
BRAKE MASTER CYLINDER	26
BRAKE PEDAL	28
BREATHER HOSE	17, 18
BULBS	35, 36, 37, 38
BUMP STOPS F & R	23
BUMPERS	42
BYPASS HOSE	7
CABLE BARREL & TRUNNION	27
CABLE BATTERY	29
CABLE CHOKE	27
CABLE PULL START	34
CABLE SPEEDO	38
CAM GEAR	4
CARBURETTOR	20
CARPET	51
CHROME BUMPERS	42
CLUTCH PEDAL & LINKAGE	28
COIL H.T	30
CONVERSION GASKET SET	10
CRANKSHAFT	4
CROWNING WHEEL & PINION	24
CYLINDER HEAD	6
DAMPER LINK REAR	23
DAMPER LEVER ARM FRONT	22
DAMPER LEVER ARM REAR	23
DEMIST DUCT & HOSES	48
DIFFERENTIAL	24
DIP SWITCH	34
DISTRIBUTOR	30
DOOR CHECK ARM	43
DOOR GLASS	44, 45
DOOR HINGES	40
DOOR LOCK & LINKAGE	40, 44
DOOR SKIN REPAIRS	54
DOOR STRIKERS	43
DRAFT EXCLUDER	53
DYNAMO	31
ENGINE	3 - 10
ENGINE MOUNTING	11
ENGINE STEADY CABLE	11
ENGINE TIE BAR	11
EXHAUST & FITTINGS	19
EXHAUST MANIFOLD	8
FAN BELT	8

FINISHER WINDSCREEN	46
FLASHER RELAY UNIT	33
FLASHER UNIT	33
FLOAT CARBURETTOR	20
FRONT PANEL	42
FRONT LAMPS	36
FRONT WING	38
FUEL CAP	17
FUEL FILLER NECK	17
FUEL HOSE	17
FUEL PIPE	17
FUEL PUMP	17
FUEL TANK	17
FUSE BOX	34
GASKET SET DECOKE	10
GASKET SET CONVERSION	10
GASKET FRONT LAMPS	35, 36
GASKET REAR LAMPS	37
GASKET SET GEARBOX	14
GAUGE FUEL	38
GEARBOX	12 TO 16
GEAR LEVER	15, 16
GEAR LEVER ANTI RATTLE	15
GEAR LEVER GAITER	38
GEARBOX COVER	38
GEARBOX CROSSMEMBER	11
GEARBOX MOUNTINGS	11
GLOVE BOXES	47
GRILLE	42
GRILLE INNER PANEL	16, 42
GRILLE SURROUND	42
GUTTER TRAVELLER	40
HANDBRAKE	27
HEADLAMPS	35
HEADLININGS	50
HEATER & FITTINGS	48
HINGES BONNET	41
HINGES BOOT LID	43
HINGES DOORS	40
HOCKEY STICKS	42
HOOD & FITTINGS	47
HORN & PUSH ASS'Y	33
HT LEAD SET	30
HUB CAPS	53
HUB FRONT	22
HUB REAR	24
IGNITION SWITCH	34
INDICATOR SWITCH	33
INLET MANIFOLD	8
INTERIOR LAMP & SWITCH	36
JET CARBURETTOR	20
KING (SWIVEL) PINS	22
LAYGEAR	13
LENS FRONT LAMPS	36
LENS REAR LAMPS	37
LIGHT SWITCHES	34
LOCK BARRELS	44
LOCK BOOT LID	43
LOWER FRONT ARMS	23
MAIN BEARING SET	4

MANIFOLD CLAMP	19
MANIFOLD & FITTINGS	8
MIRRORS	49
NEEDLE & SEAT, CARBURETTORS	20
NEEDLES MEETERING CARBURETTOR	20
NUMBER PLATE LAMP	36
OIL FILLER CAP	7
OIL FILTER	9
OIL PRESSURE SWITCH	9
PAD SPRING SEATING	23
PEDAL RUBBERS	27, 28
PINION BEARING	24
PISTON RING SET	3
PISTON SETS	3
PLATE SPRING SEATING	23
POINTS IGNITION	30
PROPSHAFT	24
QUARTER LIGHT WINDOWS	44
RADIATOR	16
RADIATOR COWL	16
RADIATOR HOSES	16
REAR LAMPS	37
REBUILT KIT CARBURETTOR	20
REFLECTORS	36
REGULATOR BOX	34
REPAIR PANELS	54 TO 58
RETURN SPRING THROTTLE	27
ROAD SPRING REAR	23
ROCKER COVER	7
ROCKER SHAFT	6
ROTOR ARM	30
SEAL BOOT LID	43
SEAL WINDSCREEN	46
SEATS & FITTINGS	50
SHACKLE REAR SPRING	23
SHOCK ABSORBER FRONT	22
SHOCK ABSORBER REAR	23
SIDE GLASS	44, 45
SPEEDO	38
SPEEDO CABLE	38
SPIGOT BUSH CRANKSHAFT	5
STARTER MOTOR	31
STARTER SOLENDID	34
STARTER SWITCH	34
STEERING COLUMN	21
SUMP OIL	7
SUN VISORS	50
SWIVEL PINS	22
THERMOSTAT	7
THROTTLE CABLE	27
TIE BAR	23
TIE BAR ENGINE	11
TIMING CHAIN	5
TIMING COVER	10
TORSION BAR	23
TRACK ROD ENDS	21
TRAFFICATORS	36
TRAY PARCEL SHELF	49
TRIM	50, 51, 52
TRUNNIONS STEERING	22

U BOLTS ROAD SPRING	23
UNIVERSAL JOINT	24
VACUUM PIPE	30
VACUUM UNIT	30
VALVES ENGINE	6
VOLTAGE REGULATOR	34
VOLTAGE STABILIZER	38
WASHER BOTTLE	49
WASHER JETS	49
WASHER PUMP	49
WATER PUMP	8
WHEEL BEARINGS	22, 24
WEATHER STRIPS	46
WINDOW REGULATORS	45
WINDSCREEN	46
WINDSCREEN WIPERS	32
WINGS	38
WING PIPING	38
WIPER SWITCH	34
WIRING LOOMS	29
WOODWORK CONVERTIBLE	47
WOODWORK TRAVELLER	39
YOKE PROPSHAFT	24

CATALOGUE NOTE

PARTS FOR THE MM SERIES VEHICLES ARE NOT EASILY AVAILABLE AND PARTS FOR SERIES 2 MODELS ARE ONLY A LITTLE EASIER TO FIND

PLEASE USE THIS CATALOGUE AS A GUIDE ONLY, YOU SHOULD ALWAYS TELL US WHICH OF THESE MODELS YOU HAVE WHEN PLACING AN ORDER

WE WILL ALWAYS DO OUR BEST TO FIND THE PARTS YOU ARE LOOKING FOR

THANK YOU



EMAIL
MMC@DAVIDMANNERS.CO.UK

PHONE
0121 544 55 22

FAX
0121 544 68 68

POST
991 WOLVERHAMPTON ROAD,
OLDBURY, WEST MIDLANDS, B69 4RJ

MORRIS MINOR CENTRE BIRMINGHAM

DID YOU KNOW WE OFFER EXCLUSIVE BENEFITS TO MMOC MEMBERS?

**Are you a member of the
Morris Minor Owners Club?**

**We offer special discount
across our wide range of
Morris Minor parts to all
MMOC members**

**Spend over £600 (including VAT)
in a year with us and
we'll pay your membership fee!**

Contact us for further information!

Contacting us...

Email:

Enquiries@davidmanners.co.uk

Call:

0121 544 5522

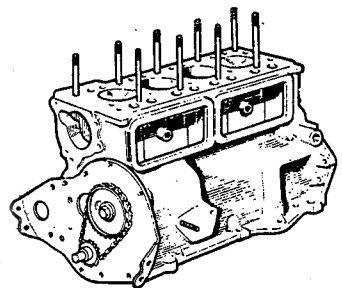
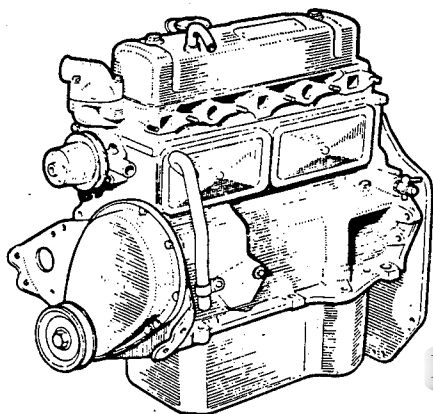
Website:

www.morrisminorcentrebham.co.uk

Visit our trade counter:

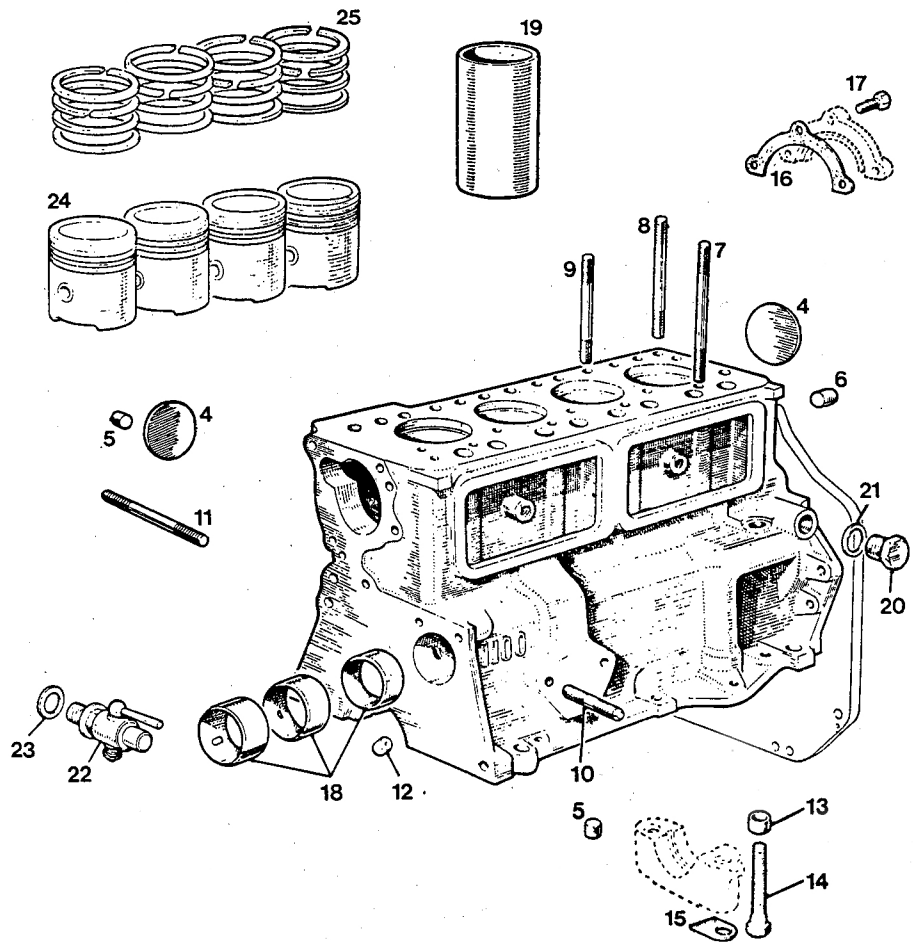
Mon-Fri 9am to 5pm
Saturdays 9am to 1pm

David Manners Group
991 Wolverhampton Road
Oldbury, West Midlands
B69 4RJ

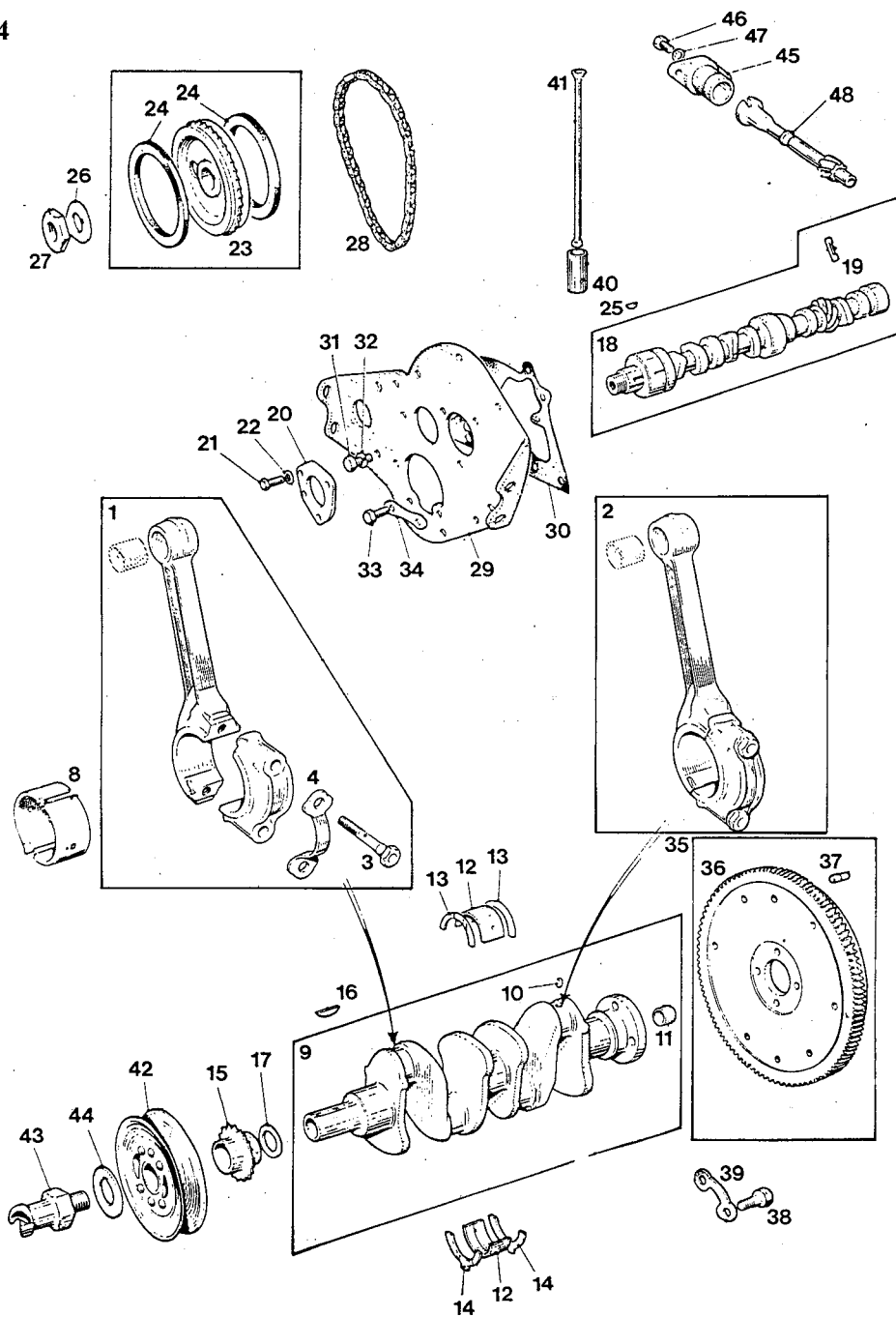


IMPROVEMENT AVAILABLE

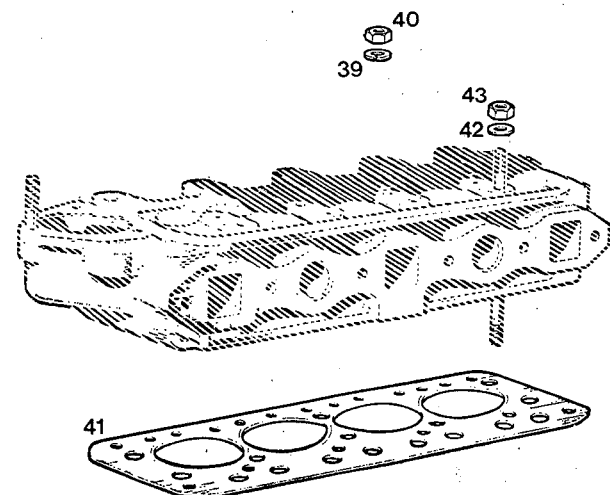
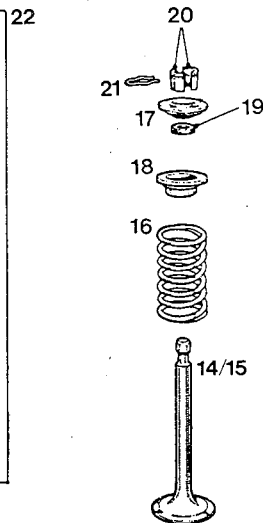
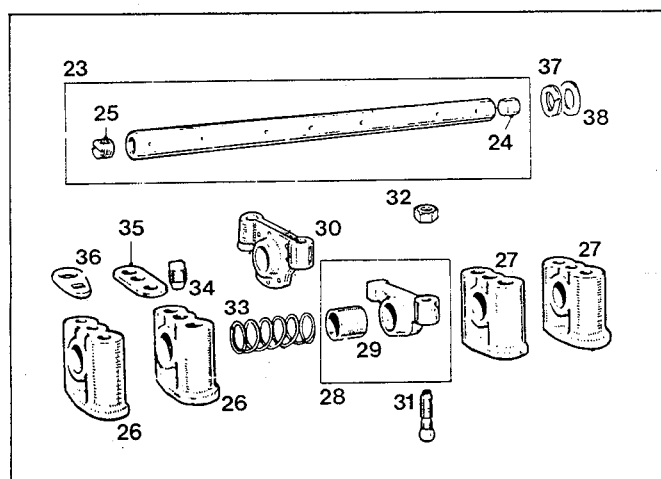
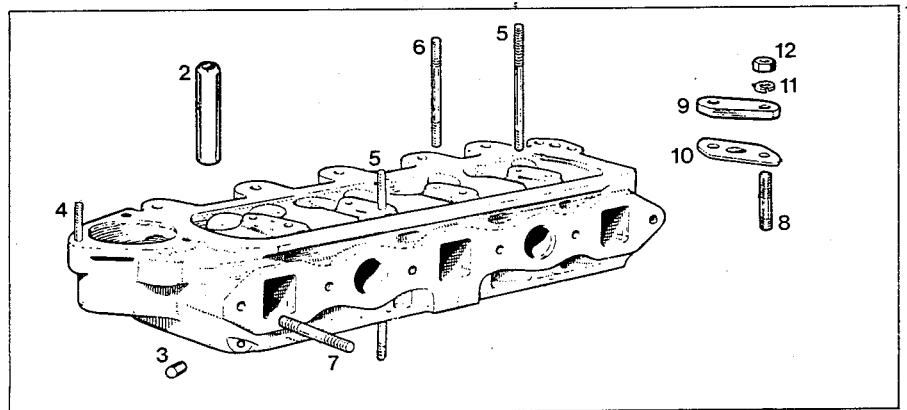
12M101RMAR- EXCHANGE 1275 MARINA ENGINE



Ill. Part No. Number	Description	Remarks
1 10M101R	Engine reconditioned 1098cc	Ask for specification
9M101R	- 948cc	-
8M101R	- 803cc	-
2 10M102R	half recond. 1098cc	-
9M102R	- 948cc	-
8M102R	- 803cc	-
4 10M103	Plug - welch	
5 10M104	Plug - oil release valve pass.	
6 10M105	Plug - oil gallery	
7 10M106	Stud - cylinder head - long	
8	Stud - cylinder head - medium	Use 10M107
9 10M107	Stud - cylinder head - short	
10 10M108	Stud - vent pipe clip	
11 10M109	Stud - oil filter	
12 10M110	Restrictor - camshaft oil feed	
13 10M111	Dowel - main bearing cap	
14 10M112	Bolt - main bearing cap	
15 10M113	Washer - lock	
16 10M114	Gasket	
17 10M115	Screw	
18 10M116	Liner - camshaft bearing	
9M115	-	
8M117	-	
19 10M117	Liner - cylinder block	
9M116	-	
8M118	-	
20 10M118	Plug - cylinder tap drain tap boss	
21 10M119	Washer	
22 10M120	Tap - cylinder drain	
23 10M121	Washer - fibre	
24 10M122S	Piston assy. - standard	
10M122.10	- .010" .254mm O/S	
10M122.20	- .020" .508mm O/S	
10M122.30	- .030" .762mm O/S	
10M122.40	- .040" 1.016mm O/S	
9M119S	- standard	
9M119.10	- .010" .254mm O/S	
9M119.20	- .020" .508mm O/S	
9M119.30	- .030" .762mm O/S	
9M119.40	- .040" 1.016mm O/S	
8M121S	- standard	
8M121.10	- .010" .254mm O/S	
8M121.20	- .020" .508mm O/S	
8M121.30	- .030" .762mm O/S	
8M121.40	- .040" 1.016mm O/S	
25 10M123S	Rings - piston standard	
10M123.10	- .010" O/S	
10M123.20	- .020" O/S	
10M123.30	- .030" O/S	
10M123.40	- .040" O/S	
9M120S	- standard	
9M120.10	- .010" O/S	
9M120.20	- .020" O/S	
9M120.30	- .030" O/S	
9M120.40	- .040" O/S	
8M122S	- standard	
8M122.10	- .010" O/S	
8M122.20	- .020" O/S	
8M122.30	- .030" O/S	
8M122.40	- .040" O/S	



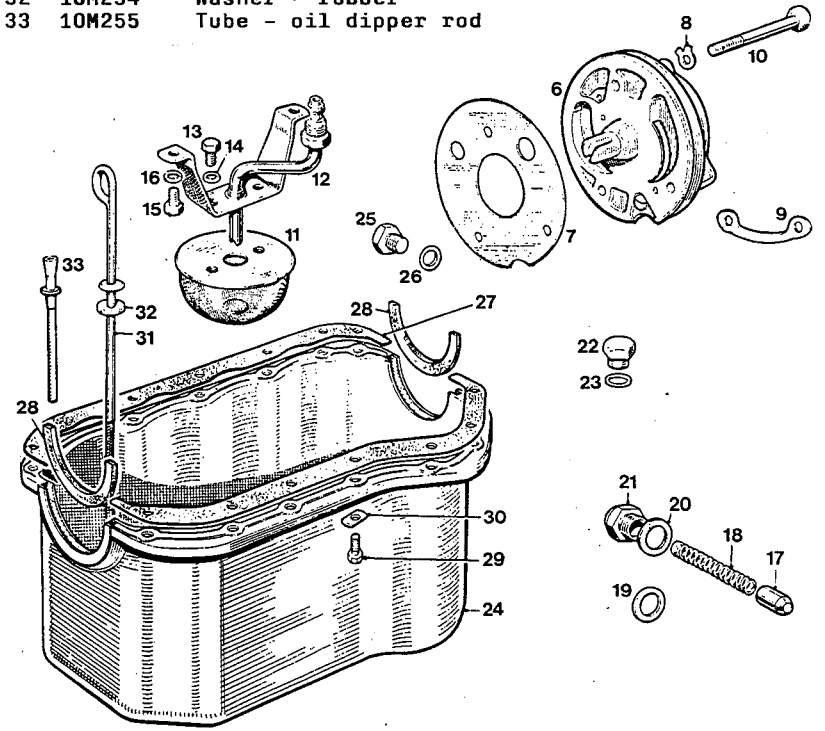
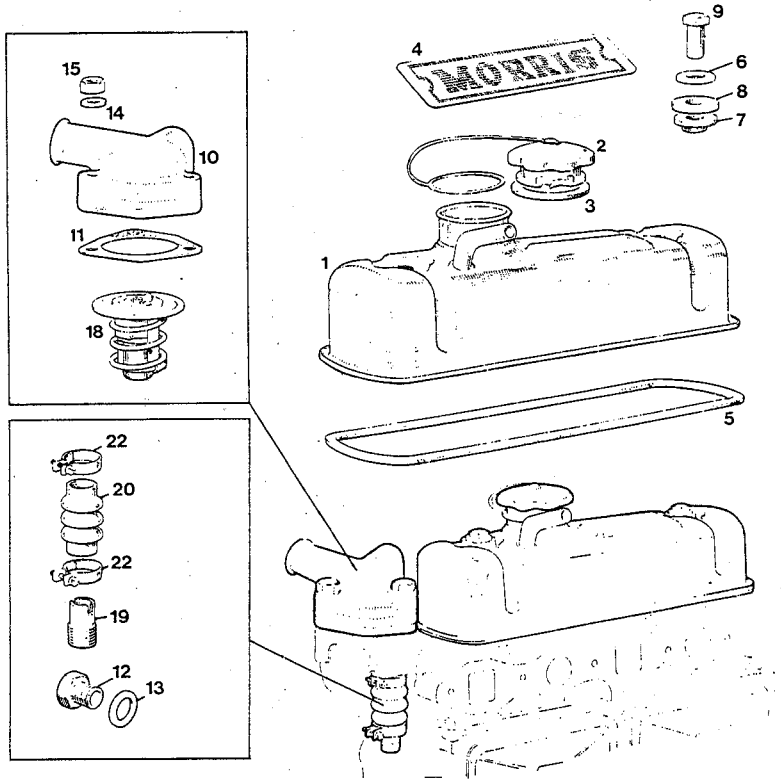
Ill. No.	Part Number	Description	Remarks
1	10M124	Rod - connecting - nos. 1&3 cyl.	
	9M122	-	
	8M128	-	
2	10M125	- nos. 2&4 cyl.	
	9M123	-	
	8M129	-	
3	10M126	Screw	
	8M130	-	
4	10M127	Washer - lock	
8	10M128S	Bearing - big end	standard
	10M128.10	-	.010" U/S
	10M128.20	-	.020" U/S
	10M128.30	-	.030" U/S
	10M128.40	-	.040" U/S
	8M133S	-	standard
	8M133.10	-	.010" U/S
	8M133.20	-	.020" U/S
	8M133.30	-	.030" U/S
	8M133.40	-	.040" U/S
9	10M129	Crankshaft	
	9M129	-	
	8M134	-	
10	10M130	Restrictor - oil	
11	10M131	Bush - 1st motion shaft	
12	10M132S	Bearing - main	standard
	10M132.10	-	.010" U/S
	10M132.20	-	.020" U/S
	10M132.30	-	.030" U/S
	10M132.40	-	.040" U/S
	9M132S	-	standard
	9M132.10	-	.010" U/S
	9M132.20	-	.020" U/S
	9M132.30	-	.030" U/S
	9M132.40	-	.040" U/S
	8M137S	-	standard
	8M137.10	-	.010" U/S
	8M137.20	-	.020" U/S
	8M137.30	-	.030" U/S
	8M137.40	-	.040" U/S
13&14	10M133	Washer - thrust	
	9M133	-	
15	10M135	Gear - crankshaft	
16	10M136	Key	
17	10M137	Washer - packing - crankshaft gear	
18	10M138	Camshaft	
	9M138	-	
19	10M139	Pin - oil pump driving	
20	10M140	Plate - camshaft locating	
21	10M141	Screw	
22	10M142	Washer - shakeproof	
23	10M143	Gear - camshaft	
24	10M144	Ring - tensioner	
25	10M145	Key	
26	10M146	Washer - lock	
27	10M147	Nut	
28	10M148	Chain - timing	
29	10M149	Plate - engine mounting front	



Ill. No.	Part Number	Description	Remarks
1	10M169R	Head - cylinder	Available leadfree
	9M170R	-	
	8M175	-	
2	10M170	Guide - inlet and exhaust	
	9M171	-	
3	10M171	Plug - oil hole	
4	10M172	Stud - water outlet elbow	
5	10M173	Stud - rocker bracket - long	
6	10M174	Stud - rocker bracket - short	
7	10M175	Stud - inlet and exhaust manifold	
8	10M176	Stud - heater control tap	
9	10M177	Plate - cover - heater control tap	
10	10M178	Gasket	
11	10M179	Washer - spring	
12	10M180	Nut	
14	10M181	Valve - inlet	
	9M185	-	
15	10M182	Valve - exhaust	
16	10M183	Spring - valve	
17	10M184	Cup - valve spring	
18	10M185	Shroud - valve guide	
19	10M186	Ring - valve packing	
20	10M187	Cotter - valve (collet)	
21	10M188	Circlip	
22	10M189R	Shaft assembly - rocker	
23	10M190	Shaft	
24	10M191	Plug - plain	
25	10M192	Plug - screwed	
26	10M193	Bracket - rocker shaft (tapped)	
27	10M194	Bracket - rocker shaft (plain)	
28	10M195	Rocker - valve	
29	10M196	Bush	
30	10M197	Rocker - valve - bushed (pressed steel)	
31	10M198	Screw - tappet adjusting	
32	10M199	Nut - lock	
33	10M200	Spring - spacing	
34	10M201	Screw - locating	
35	10M202	Plate - locating	
36	10M203	Plate - locking	
37	10M204	Washer - spring	
38	10M205	Washer - plain	
39	10M206	Washer - spring - rocker bracket stud	
40	10M207	Nut	
41	10M208	Gasket - cylinder head	
42	10M209	Washer - cylinder head stud	
43	10M210	Nut - cylinder head stud	

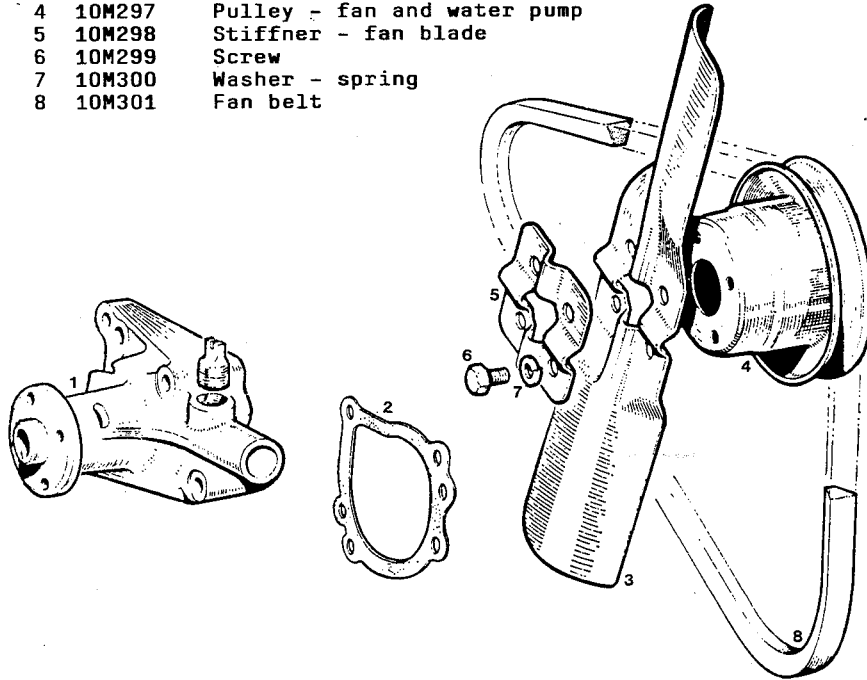
Ill. Part No. Number	Description	Remarks
1 10M211	Cover -valve rocker	
9M212	-	
2 10M212	Cap - oil filler	
9M213	-	
3 10M213	Washer	
4 10M214	Plate - name - 'Morris'	
5 10M215	Gasket	
6 10M216	Piece - distance	
7 10M217	Bush - rubber	
8 10M218	Washer - cap	
9 10M219	Nut - cap	
10 10M220	Elbow - water outlet	
11 10M221	Gasket	
12 10M222	Plug - thermal transmitter boss	
13 10M223	Washer	
14 10M224	Washer	
15 10M225	Nut	
18 10M226	Thermostat	
19 10M227	Adaptor - by-pass	
20 10M228	Hose - by-pass	
22 10M229	Clip	

Ill. Part No. Number	Description	Remarks
6 10M230	Pump - oil	
7 10M231	Gasket	
8 10M232	Washer - lock	
9 10M233	Plate - locking	
10 10M234	Screw	
11 10M235	Strainer - oil	
8M268	-	
12 10M236	Pipe - oil suction (with bracket)	
8M269	-	
13 10M237	Screw - bracket to strainer	
14 10M238	Washer - shakeproof	
15 10M237	Screw - bracket to bearing cap	
16 10M238	Washer - shakeproof	
17 10M239	Valve - oil release	
18 10M240	Spring - valve	
19 10M241	Washer - fibre	Use 10M242
20 10M242	Washer - copper	
21 10M243	Nut - cap - oil release valve	
22 10M244	Plug - oil priming	
23 10M245	Washer - copper	
24 10M246	Sump - oil	
25 10M247	Plug - drain	
26 10M248	Washer - copper	
27 10M249	Gasket - sump	
28 10M250	Seal - oil - main bearing cap	
29 10M251	Screw - sump to crankcase	
30 10M252	Washer	
31 10M253	Rod - oil dipper	
32 10M254	Washer - rubber	
33 10M255	Tube - oil dipper rod	



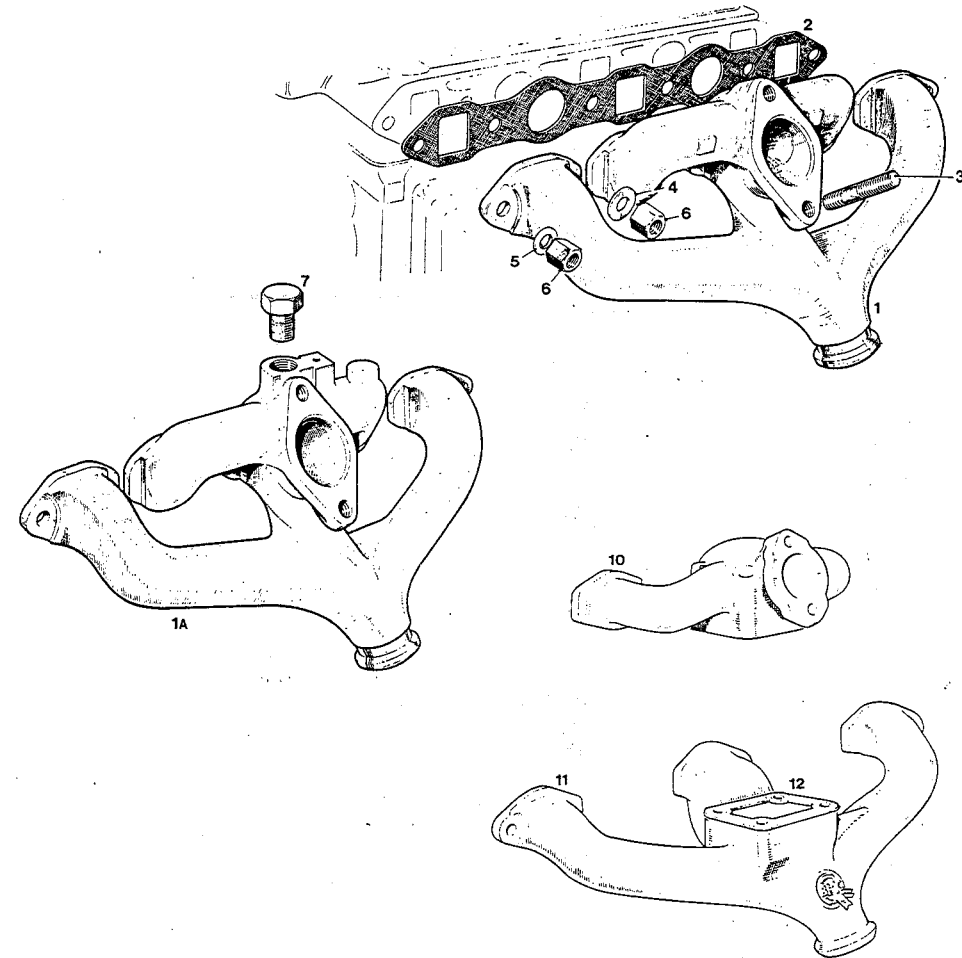
Ill. No.	Part Number	Description	Remarks
----------	-------------	-------------	---------

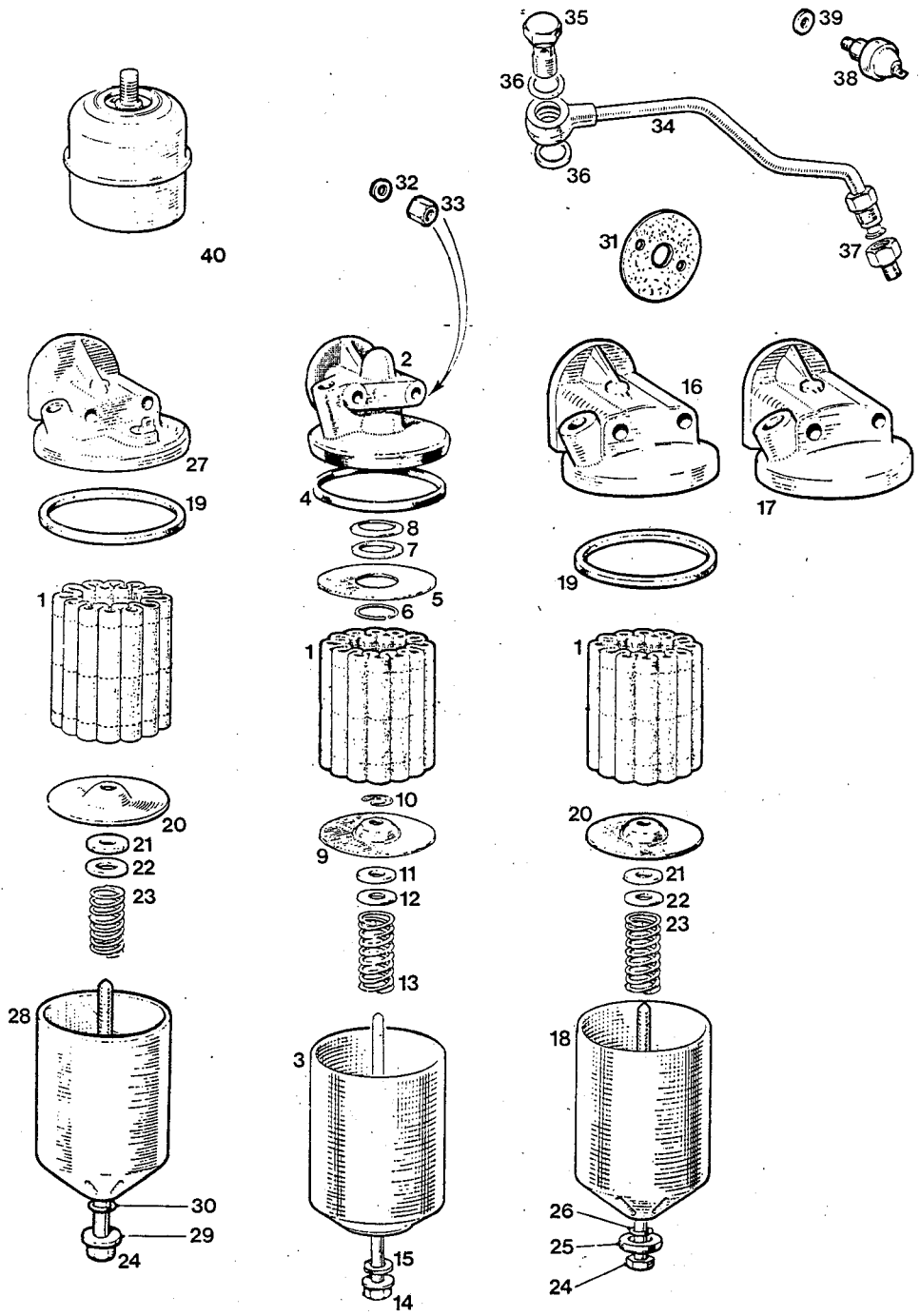
- | | | | |
|---|--------|-----------------------------|--|
| 1 | 10M294 | Pump - water | |
| | 8M278 | - | |
| 2 | 10M295 | Gasket | |
| | 8M279 | - | |
| 3 | 10M296 | Blade - fan | |
| 4 | 10M297 | Pulley - fan and water pump | |
| 5 | 10M298 | Stiffner - fan blade | |
| 6 | 10M299 | Screw | |
| 7 | 10M300 | Washer - spring | |
| 8 | 10M301 | Fan belt | |



Ill. No.	Part Number	Description	Remarks
----------	-------------	-------------	---------

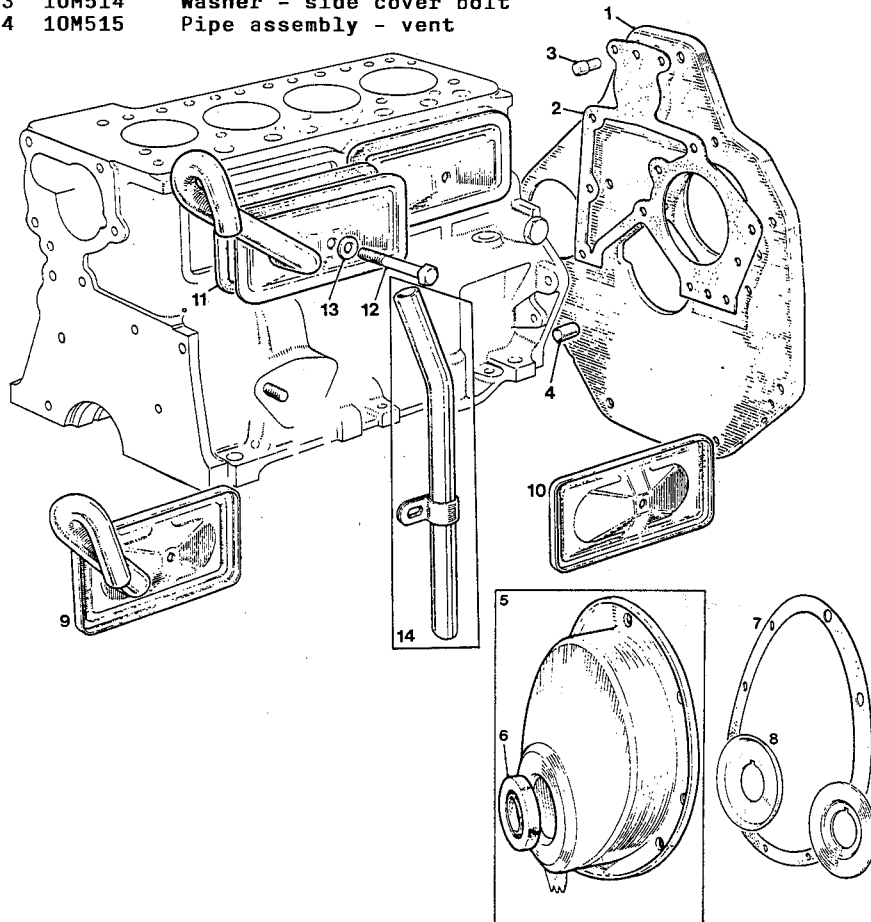
- | | | | |
|----|--------|------------------------------------|--|
| 1 | 10M302 | Manifold - inlet and exhaust | |
| 1A | 10M303 | Manifold - inlet and exhaust | |
| 2 | 10M304 | Gasket | |
| 3 | 10M305 | Stud - carburettor to manifold | |
| 4 | 10M306 | Washer - clamping | |
| 5 | 10M307 | Washer - plain | |
| 6 | 10M308 | Nut | |
| 7 | 10M309 | Plug - manifold | |
| 10 | 8M286 | Manifold - inlet | |
| 11 | 8M287 | Manifold - exhaust | |
| 12 | 8M288 | Gasket - inlet to exhaust manifold | |



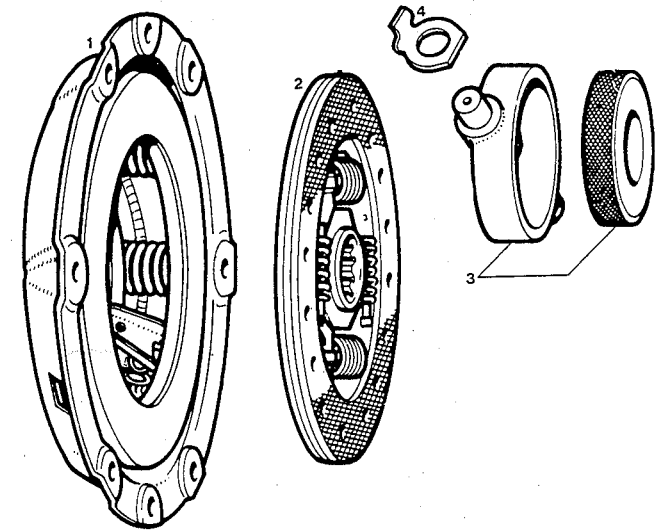


Ill. No.	Part Number	Description	Remarks
		Oil filter - Tecalemit	
1	10M256	Element	
2	10M257	Head	
3	10M258	Sump	
4	10M259	Seal - sump to head	
5	10M260	Plate - clamping	
6	10M261	Circlip	
7	10M262	Washer (felt)	
8	10M263	Washer - dished	
9	10M264	Plate - pressure	
10	10M265	Circlip	
11	10M266	Washer (felt)	
12	10M267	Washer - plain	
13	10M268	Spring - pressure plate	
14	10M269	Bolt - centre	
15	10M270	Seal - bolt to sump	
		Oil filter - Purolator	
16	10M271	Head	
18	10M272	Sump	
19	10M273	Seal - sump to head	
20	10M274	Plate - pressure	
21	10M275	Seal	
22	10M276	Washer - plain	
23	10M277	Spring - pressure plate	
24	10M278	Bolt	
25	10M279	Collar	
26	10M280	Seal	
		Oil filter - with pressure switch	
27	10M281	Head - with switch	
28	10M282	Sump	
29	10M283	Washer - plain	
30	10M284	Seal	
31	10M285	Gasket - filter to crankcase	
32	10M286	Washer - spring	
33	10M287	Nut - filter stud	
34	10M288	Pipe - oil	
35	10M289	Screw - banjo union	
36	10M290	Washer - copper	
37	10M291	Connection - flared	
38	10M292	Switch - oil pressure	
39	10M293	Washer - copper	
40	8M266	Filter - oil - 803cc engine	

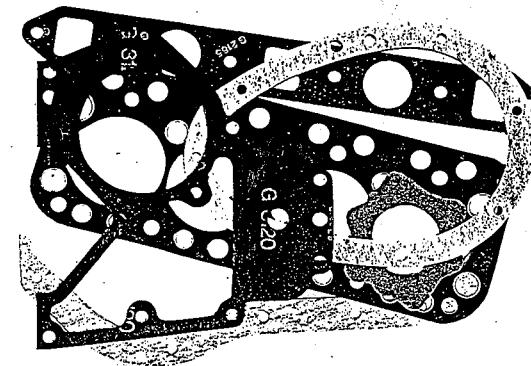
Ill. No.	Part Number	Description	Remarks
1	10M501	Plate - engine mounting - rear	
	9M226	-	
	8M236	-	
2	10M502	Gasket - backplate	
3	10M503	Dowel - top	
4	10M504	Dowel - bottom	
5	10M505	Cover assembly - front	
6	10M506	Seal - oil	
	8M237	Seal - oil (felt)	
7	10M507	Gasket - front cover	
8	10M508	Thrower - oil	
9	10M509	Cover - cylinder side - front	
	8M242	-	
10	10M510	Cover - cylinder side - rear	
11	10M511	Gasket - side cover - cork	
	10M512	Gasket - side cover - rubber	
12	10M513	Bolt - side cover	
13	10M514	Washer - side cover bolt	
14	10M515	Pipe assembly - vent	

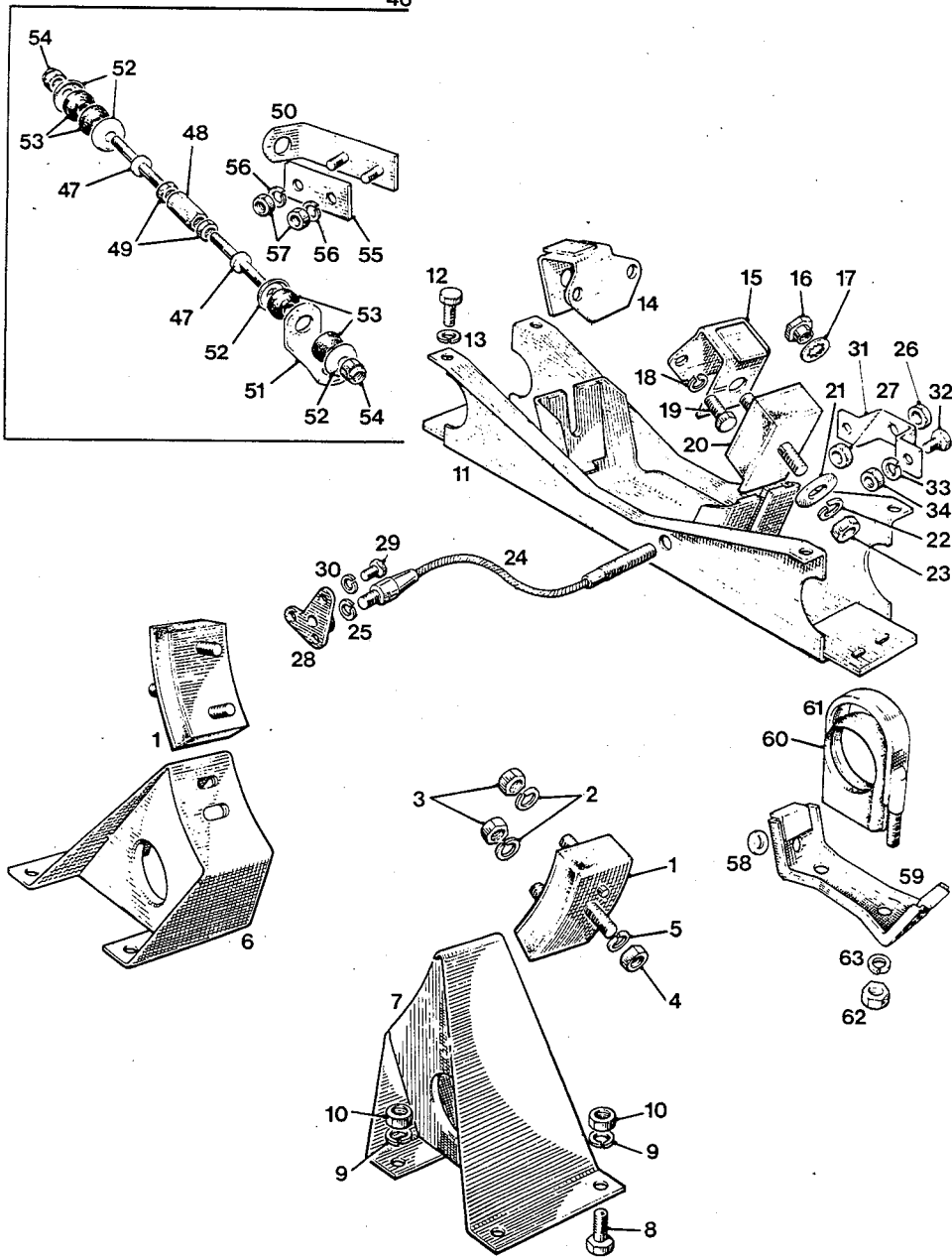


Ill. No.	Part Number	Description	Remarks
1	COM701	Cover assembly	803cc and 948cc
2	COM702	Plate assembly - centre	-
3	COM703	Bearing - release	-
4	COM704	Retainer - bearing to fork	-
1	COM705	Cover assembly	1098cc
2	COM706	Plate assembly	-
3	COM707	Bearing - release	-
4	COM708	Retainer - bearing to fork	-

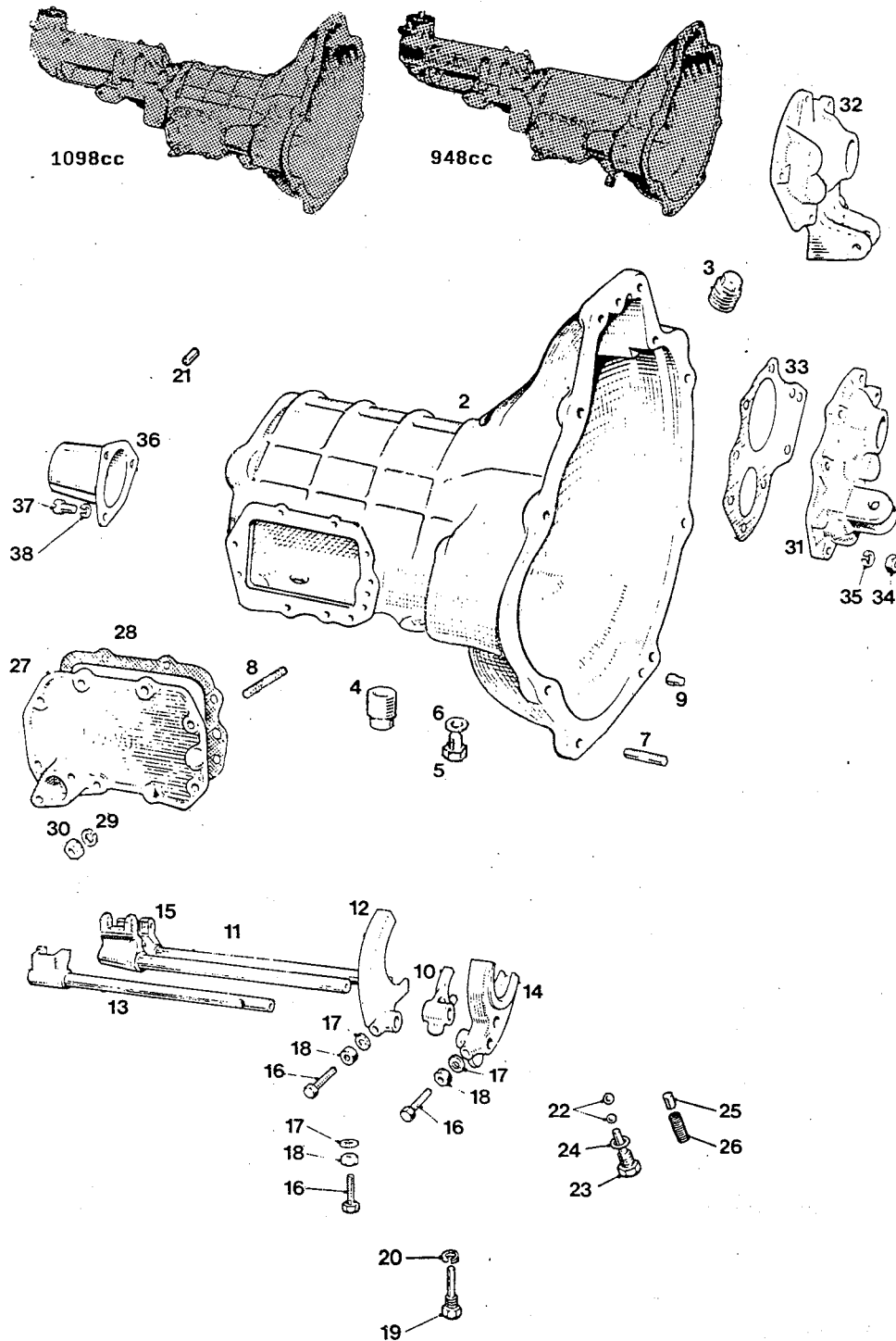


GSK101	Set - gasket - head
GSK102	Set - gasket - conversion
GSK103	Set - gasket - head side valve engine
GSK104	Set - gasket - conversion side valve engine

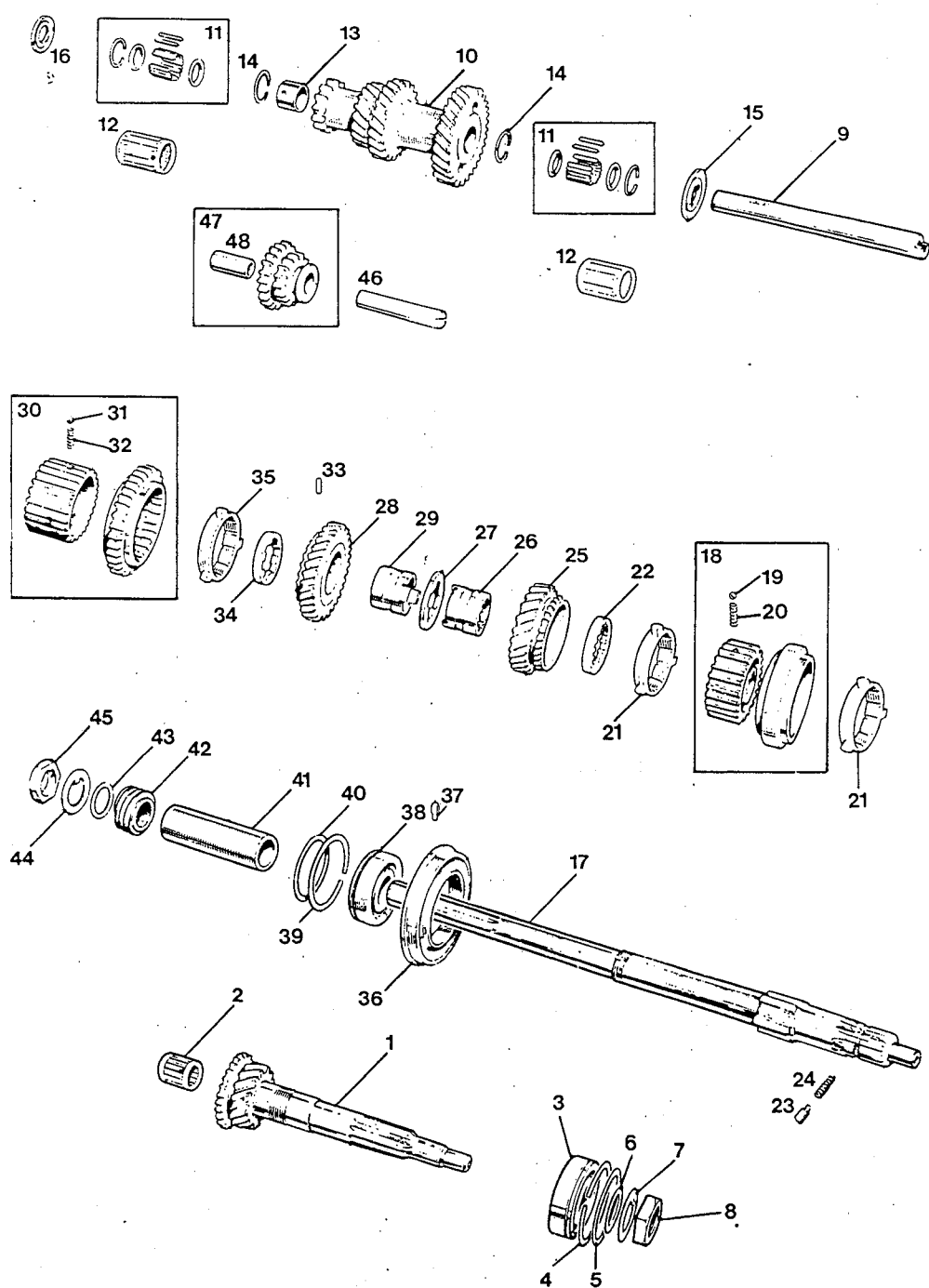




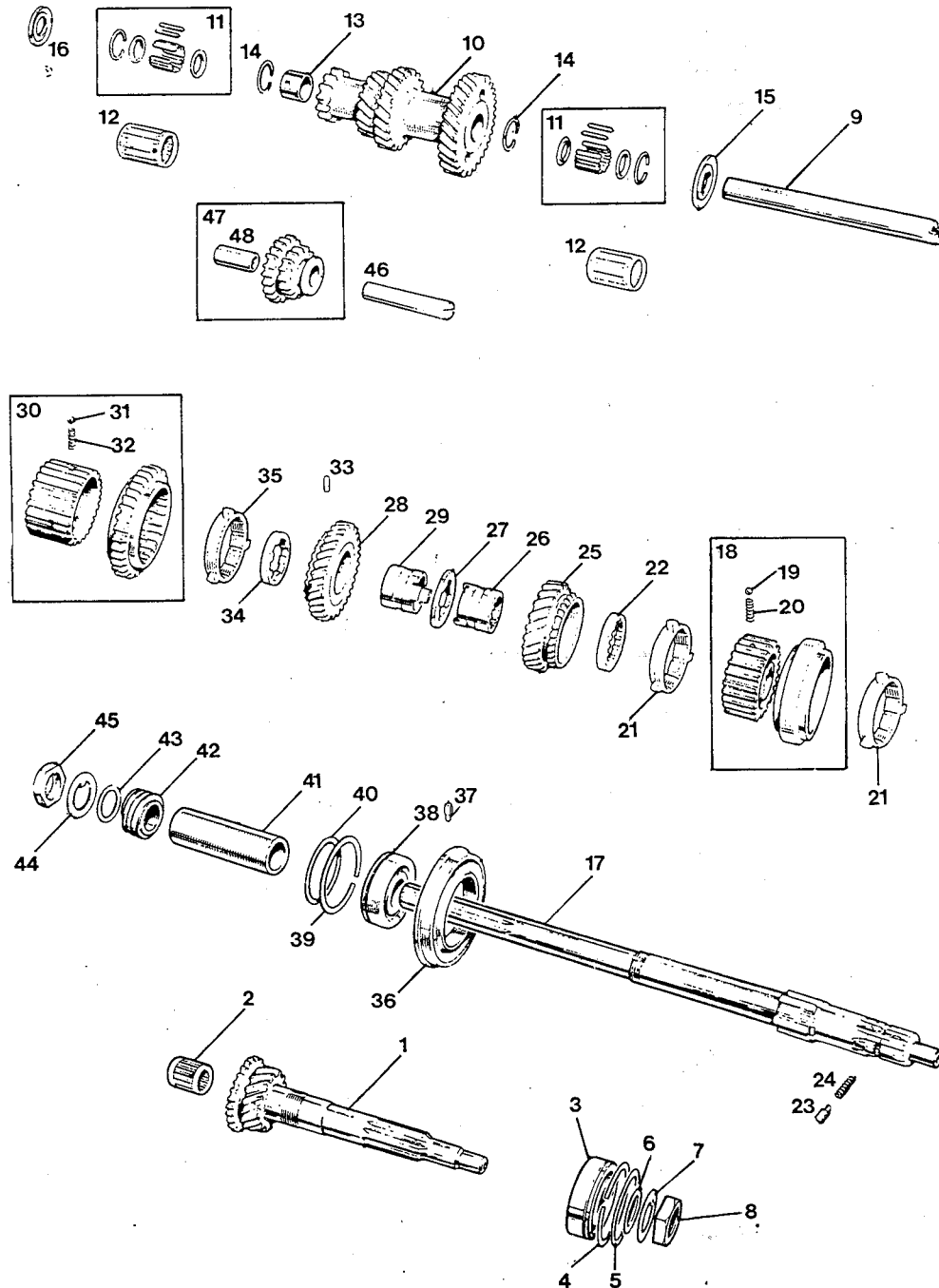
Ill. No.	Part Number	Description	Remarks
1	MNT101	Block - engine mounting - front	
2	MNT102	Washer - spring	
3	MNT103	Nut	
4	MNT104	Nut	
5	MNT105	Washer - spring	
6	MNT106	Bracket - mounting - front R/H	
7	MNT107	Bracket - mounting - front L/H	
8	MNT108	Bolt	
9	MNT109	Washer - spring	
10	MNT110	Nut	
11	MNT111	Cross member - engine mounting - rear	
12	MNT112	Screw	
13	MNT113	Washer - spring	
14	MNT114	Bracket - packing - rear mounting R/H	
15	MNT115	Bracket - packing - rear mounting L/H	
16	MNT116	Nut	
17	MNT117	Washer - shakeproof	
18	MNT118	Screw	
19	MNT119	Washer - spring	
20	MNT120	Block - rear mounting (rubber)	
21	MNT121	Washer - plain	
22	MNT122	Washer - spring	
23	MNT123	Nut	
24	MNT124	Cable - engine steady	
25	MNT125	Washer - spring	
26	MNT126	Nut	
27	MNT127	Nut	
28	MNT128	Bracket - cable to gearbox	
29	MNT129	Screw	
30	MNT130	Washer - spring	
31	MNT131	Bracket - cable to frame	
32	MNT132	Screw	
33	MNT133	Washer - spring	
34	MNT134	Nut	
46	MNT146	Kit - anti-judder	
47	MNT147	Tie rod - engine	
48	MNT148	Nut - adjusting	
49	MNT149	Nut	
50	MNT150	Bracket - anchor to body	
51	MNT151	Bracket - anchor to engine	
52	MNT152	Retainer (rubber)	
53	MNT153	Buffer (rubber)	
54	MNT154	Nut	
55	MNT155	Plate - reinforcing - body bracket	
56	MNT156	Washer - spring	
57	MNT157	Nut	
58	MNT158	Washer - plain	
59	MNT159	Channel - rear mounting (rubber)	
60	MNT160	Gearbox extension - mounting (rubber)	
61	MNT161	Retainer - gearbox extension	
62	MNT162	Nut	
63	MNT163	Washer - spring	



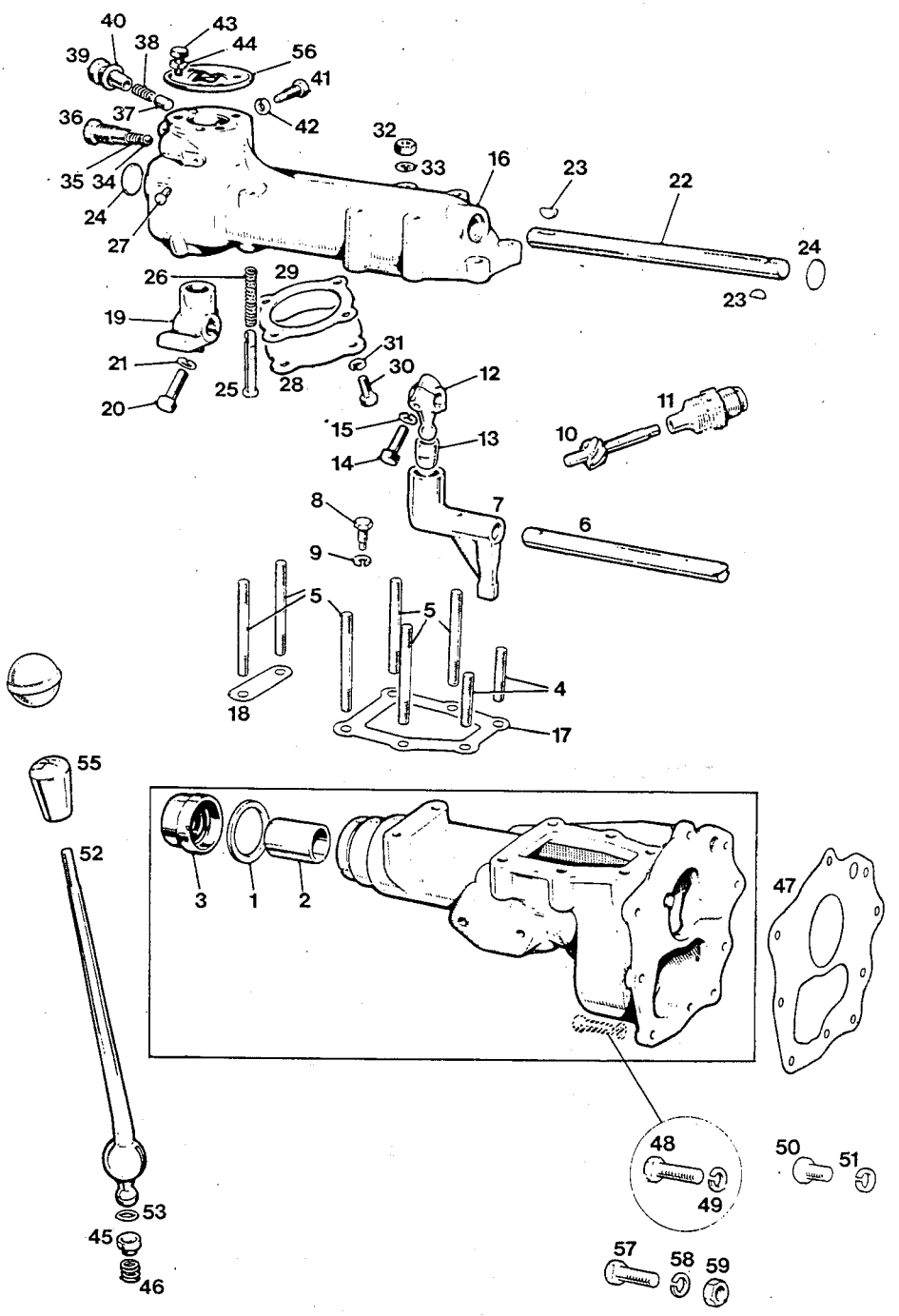
Ill. No.	Part Number	Description	Remarks
1	10G101R	Gearbox - reconditioned	1098cc
	9G101R	-	948cc
	8G101R	-	803cc
2	10G102	Case assembly	
	9G102	-	
3	10G103	Plug - oil filler	
4	10G104	Plug - oil drain	
5	10G105	Plug - reverse plunger	
6	10G106	Washer - plug	
7	10G107	Stud - front cover	
8	10G108	Stud - side cover	
9	10G109	Dowel	
10	10G110	Fork - reverse	
11	10G111	Rod - reverse fork	
	9G110	-	
12	10G112	Fork - first and second speed	
	8G111	-	
13	10G113	Rod - first and second speed fork	
	9G112	-	
	8G113	-	
14	10G114	Fork - third and fourth speed	
	9G114	-	
15	10G115	Rod - third and fourth speed fork	
	9G114	-	
16	10G116	Screw - fork locating	
17	10G117	Washer - shakeproof	
18	10G118	Nut	
19	10G119	Screw - locking - reverse shaft	
20	10G120	Washer - spring	
21	10G121	Plunger - interlocking	
22	10G122	Ball - interlocking	
23	10G123	Plug - interlocking - ball hole	
24	10G124	Washer - plain	
25	10G125	Plunger - fork end	
26	10G126	Spring - plunger	
27	10G127	Cover - side	
28	10G128	Gasket - side cover	
29	10G129	Washer - spring	
30	10G130	Nut	
31	10G131	Cover - front - RHD	
	9G130	-	
32	10G132	Cover - front - LHD	
	9G131	-	
33	10G133	Gasket	
	9G132	-	
34	10G134	Nut	
35	10G135	Washer - spring	
36	10G136	Cover - starter pinion	
37	10G137	Screw	
38	10G138	Washer - spring	



Ill. No.	Part Number	Description	Remarks
1	10G139	Shaft - first motion	
	9G146	-	
	8G147	-	
2	10G140	Bearing - third motion shaft	
	9G148	-	
3	10G141	Bearing - ball - first motion	
4	10G142	Ring - spring - bearing	
5	10G143	Washer - packing .004" .1016mm	
	10G144	- .006" .1524mm	
	10G145	- .010" .254 mm	
6	10G146	Washer - plain	
7	10G147	Washer - lock	
8	10G148	Nut	
9	10G149	Lay shaft	
10	10G150	Lay gear	
	9G158	-	
	8G159	-	
11	10G151	Bearing - needle roller	Use 10G152
12	10G152	Bearing - cage	
13	10G153	Piece - distance	
14	10G154	Ring - spring - bearing	
15	10G155	Washer - thrust - front	
	9G162	-	
16	10G156	Washer - thrust - rear .123" to .124" - 3.12mm to 3.14	
	10G157	- .125" to .126" - 3.17mm to 3.20	
	10G158	- .127" to .128" - 3.22mm to 3.25	
	10G159	- .130" to .131" - 3.30mm to 3.32	
17	10G160	Shaft - third motion	
	9G167	-	
18	10G161	Synchronizer assembly - 3rd and 4th speed	
	9G168	-	
19	10G162	Ball - synchronizer	
20	10G163	Spring - synchronizer	
	9G170	-	
21	10G164	Ring - baulk	
22	10G165	Washer - thrust - front .212"to.213" - 5.38 to 5.41mm	
	10G166	- .214"to.215" - 5.43 to 5.46mm	
	10G167	- .216"to.217" - 5.48 to 5.51mm	
	10G168	- .218"to.219" - 5.53 to 5.56mm	
23	10G169	Peg - thrust washer	
24	10G170	Spring - peg	
25	10G171	Gear - 3rd speed	
	9G177	-	
	8G179	-	
26	10G172	Bush - 3rd speed gear	
27	10G173	Ring - interlocking	
28	10G174	Gear - second speed	
	9G182	-	
29	10G175	Bush - 2nd speed gear	
30	10G176	1st speed wheel - 2nd speed synchronizer assy.	
	9G184	-	
31	10G177	Ball	
32	10G178	Spring	
	9G186	-	
33	10G179	Plunger - 2nd speed synchronizer	
34	10G180	Washer - thrust - rear	
35	10G181	Ring - baulk	

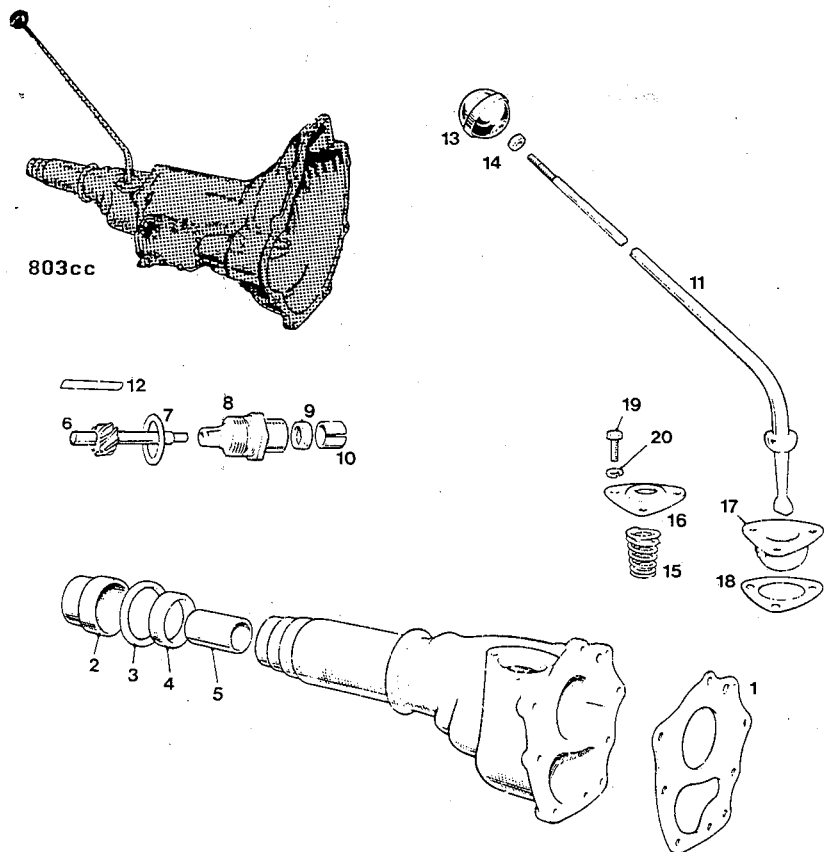


Ill. No.	Part Number	Description	Remarks
36	10G182	Bearing - housing	
	9G188	-	
37	10G183	Peg - locating	
38	10G184	Bearing - ball - 3rd motion shaft	
	9G189	-	
39	10G185	Ring - spring	
40	10G186	Washer - packing	.004" - .1016mm
	10G187	-	.006" - .1524mm
	10G188	-	.010" - .254 mm
41	10G189	Piece - distance - 3rd motion shaft	
	9G194	-	
42	10G190	Wheel - speedometer	
43	10G191	Washer - plain	
44	10G192	Washer - lock	
45	10G193	Nut	
46	10G194	Shaft - reverse	
47	10G195	Wheel - reverse	
	9G200	-	
	8G202	-	
48	10G196	Bush	
	GSK106	Gasket set	

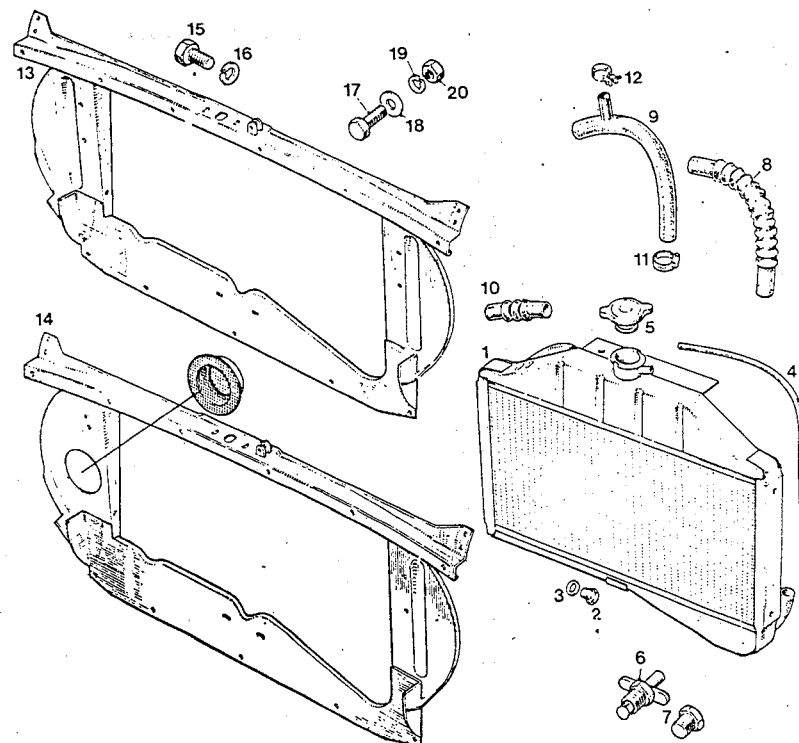


Ill. No.	Part Number	Description	Remarks
1	10G197	Seal - oil	
2	10G198	Bush	
3	10G199	Seal - assembly - oil	
4	10G200	Stud - remote control housing - short	
5	10G201	Stud - remote control housing - long	
6	10G202	Shaft - control	
7	10G203	Lever - control	
8	10G204	Peg - lever - locating	
9	10G205	Washer - spring	
10	10G206	Pinion - speedometer	
	8G209	-	
11	10G207	Bush - assembly - pinion	
	8G211	-	
12	10G208	Lever - selector - front	
13	10G209	Bush - selector	
14	10G210	Screw	
15	10G211	Washer - spring	
16	10G212	Casing - remote control	
17	10G213	Gasket - case to extension - front	
18	10G214	Gasket - case to extension - rear	
19	10G215	Lever - selector - rear	
20	10G216	Screw	
21	10G217	Washer - spring	
22	10G218	Shaft - remote control	
23	10G219	Key	
24	10G220	Plug - welch	
25	10G221	Plunger - reverse selector	
26	10G222	Spring - plunger	
27	10G223	Pin - locating - plunger	
28	10G224	Cover - change speed tower - bottom	
29	10G225	Gasket	
30	10G226	Screw	
31	10G227	Washer - spring	
32	10G228	Nut - stud - casing to extension	
33	10G229	Washer - spring	
34	10G230	Ball - reverse selector plunger	
35	10G231	Spring	
36	10G232	Plug - reverse plunger	
37	10G233	Plunger - control shaft damper	
38	10G234	Spring	
39	10G235	Cap - spring retaining	
40	10G236	Washer - spring	
41	10G237	Peg - change speed lever - locating	
42	10G238	Washer - spring	
43	10G239	Screw - change speed lever cover	
44	10G240	Washer - spring	
45	10G241	Button - thrust	
46	10G242	Spring	
47	10G243	Gasket - extension to gearbox	
48	10G244	Screw	
49	10G245	Washer - spring	
50	10G246	Screw	
51	10G247	Washer - spring	
52	10G248	Lever - change speed	
	9G255	-	
53	10G249	Ring - lever	
55	10G250	Knob	
56	10G251	Cover - change speed lever seat	
57	10G252	Bolt - gearbox mounting plate	
58	10G253	Washer - spring	
59	10G254	Nut	

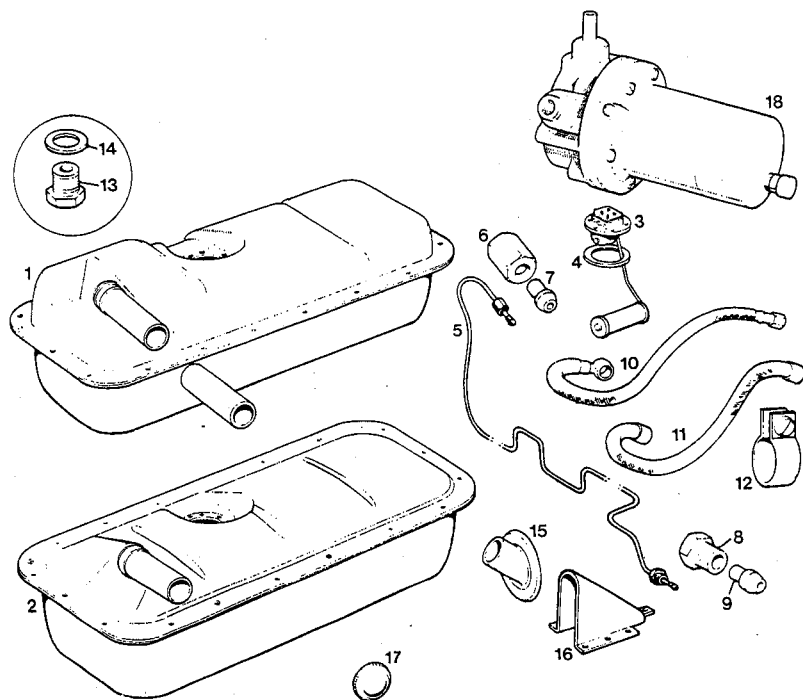
Ill. No.	Part Number	Description	Remarks
1	8G204	Gasket - extension to casing	
2	8G205	Seal - oil	
3	8G206	Seal - oil	
4	8G207	Washer - joint	Use 8G206
5	8G208	Bush	
6	8G209	Pinion - speedometer	
7	8G210	Washer - joint - pinion bush	
8	8G211	Bush - pinion - nylon	Superseded brass type
9	8G212	Seal - oil	
10	8G213	Ring - seal retaining	
11	8G214	Lever - change speed	
12	8G215	Peg - change speed lever locating	
13	8G216	Knob	
14	8G217	Nut - lock	
15	8G218	Spring - anti-rattle	
16	8G219	Seat - top - change speed lever	
17	8G220	Seat - bottom - change speed lever	
18	8G221	Gasket	
19	8G222	Screw	
20	8G223	Washer - spring	



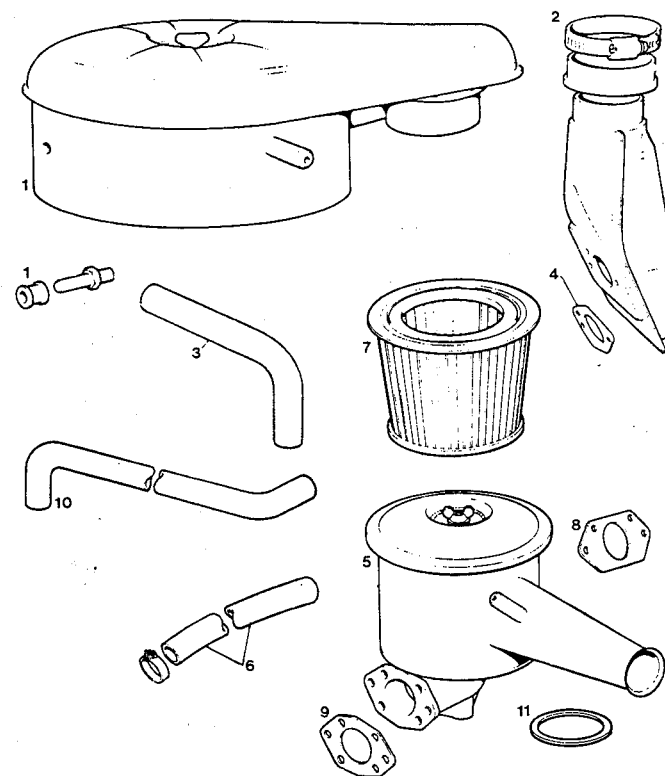
Ill. No.	Part Number	Description	Remarks
-	RAD 100	Radiator assembly - with drain tap (early type)	
1	RAD 101	Radiator assembly (late type)	
2	RAD 102	Plug - blanking	
3	RAD 103	Washer	
4	RAD 104	Pipe - overflow	
5	RAD 105	Cap - filler	
6	RAD 106	Tap - drain	
7	RAD 107	Plug - drain	
8	RAD 108	Hose - bottom	
9	RAD 109	Hose - bottom (with heater take-off)	
10	RAD 110	Hose - top	
11	RAD 111	Clip - jubilee	
12	RAD 112	Clip - jubilee	
13	RAD 113	Cowl assembly	
14	RAD 114	Cowl assembly (with intake tube)	
15	RAD 115	Screw	
16	RAD 116	Washer - spring	
17	RAD 117	Screw	
18	RAD 118	Washer - plain	
19	RAD 119	Washer - spring	
20	RAD 200	Nut	



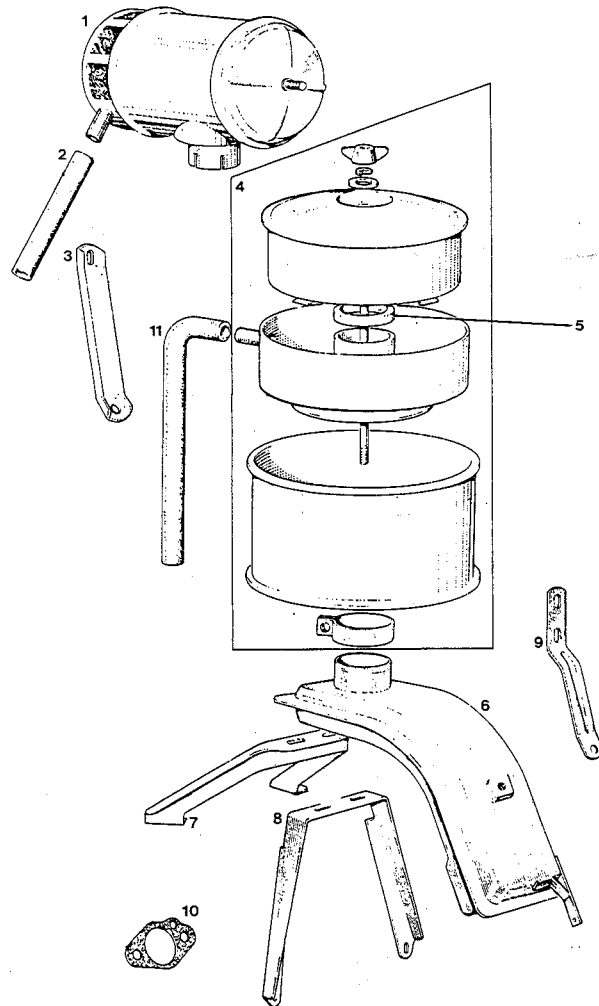
Ill. Part No. Number	Description	Remarks
1	FUL 101	Tank - fuel
2		Tank - fuel
3	FUL 102	Unit - fuel tank gauge
4	FUL 103	Gasket
5	FUL 104	Pipe - tank to pump
6	FUL 105	Nut - union - pump end
7	FUL 106	Nipple - union - pump end
8	FUL 107	Nut - union - tank end
9	FUL 108	Nipple - union - tank end
10	FUL 109	Pipe - pump to carb. - banjo conn.
11	FUL 110	Pipe - pump to carburetter
12	FUL 111	Clip - pipe to carburetter
13	FUL 112	Plug - drain
14	FUL 113	Washer
15	FUL 114	Ferrule - filler neck
16	FUL 115	Cover - filler pipe
17	FUL 116	Cap - filler pipe
18	FUL 117	Pump - petrol
	FUL 118	Filler cap - locking
	FUL 119	Screw for FUL 102
	FUL 120	Contact set - fuel pump
	FUL 121	Diaphragm - fuel pump



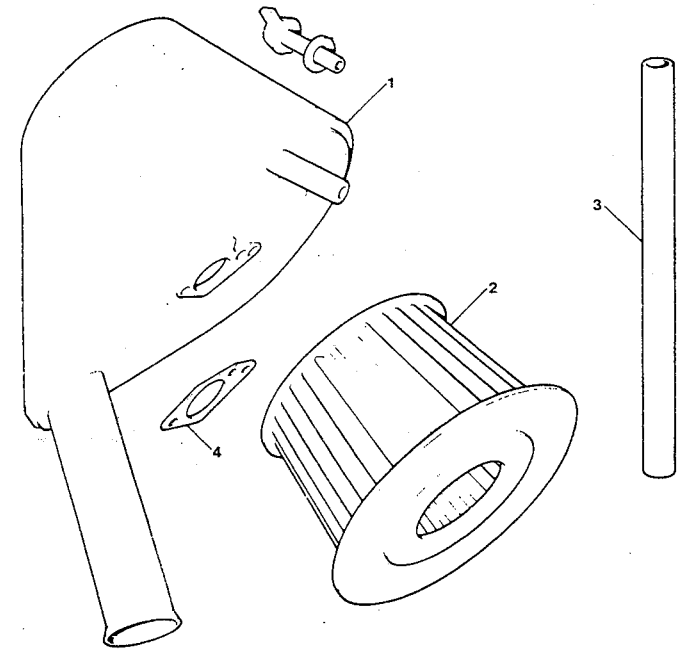
Ill. Part No. Number	Description	Remarks
1	AIR122	Cleaner - air
2	AIR113	Pipe assembly
3	AIR114	Pipe - breather - rubber
4	AIR115	Gasket - air pipe to carburetter
5	AIR116	Cleaner - air
6	AIR117	Hose - air cleaner to rocker cover
7	AIR118	Filter
8	AIR119	Gasket - air cleaner to carburetter
9	AIR120	Gasket - air cleaner to carburetter
10	AIR121	Hose - air cleaner to rocker cover
11	AIR122	Washer - fibre



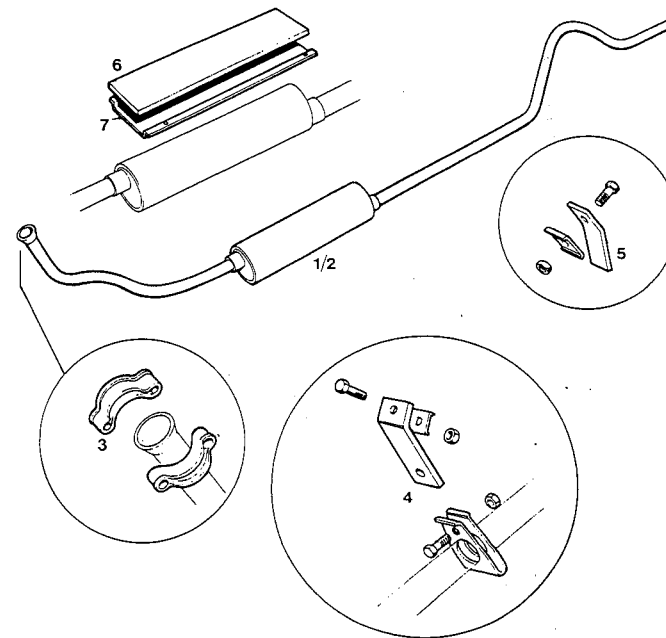
Ill. Part No.	Part Number	Description	Remarks
1	AIR 101	Cleaner - air	
2	AIR 102	Hose	
3	AIR 103	Bracket - steady	
4	AIR 104	Cleaner assembly - air	
5	AIR 105	Washer - sealing	
6	AIR 106	Pipe - air	
7	AIR 107	Bracket - steady	
8	AIR 108	Barcket - support	
9	AIR 109	Bracket - steady	
10	AIR 110	Gasket - air pipe to carburetter	
11	AIR 111	Hose - air cleaner to rocker cover	



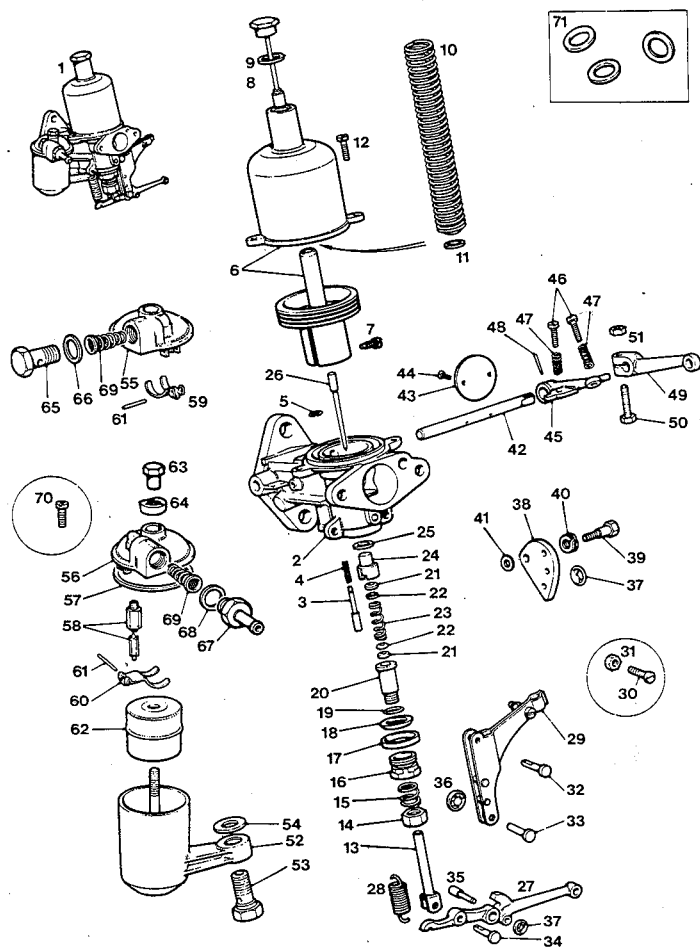
Ill. Part No.	Part Number	Description	Remarks
1	AIR123	Cleaner assembly - air	1098cc
2	AIR118	Filter	
3	AIR125	Pipe - cleaner to rocker cover	
4	AIR126	Gasket - cleaner to carburetter	



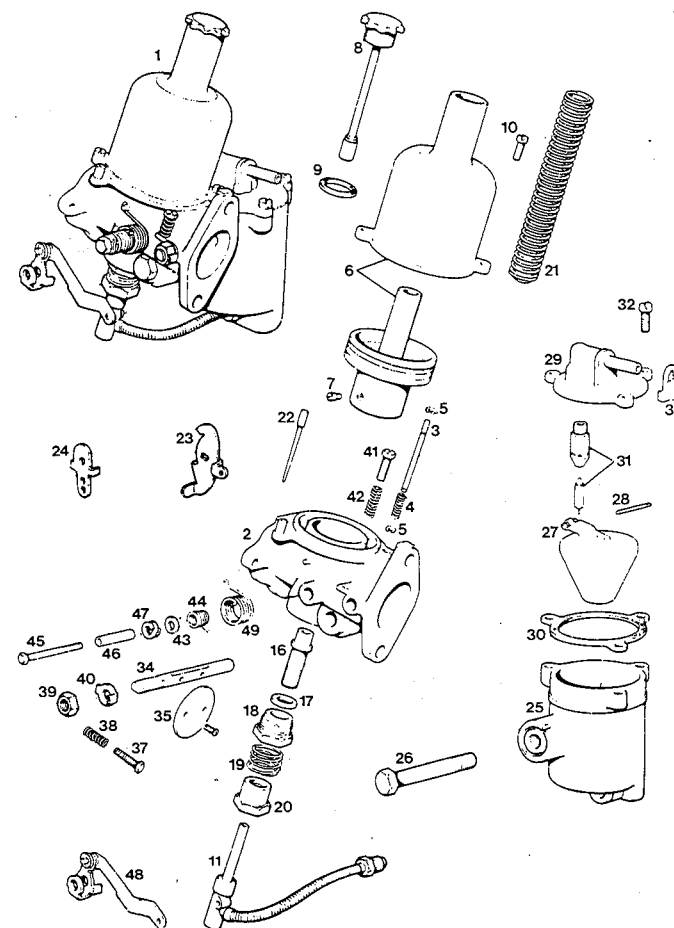
Ill. No.	Part Number	Description	Remarks
1	EXH101	Pipe - exhaust	All models
2	EXH102	Pipe - exhaust - stainless steel	
	EXH102A	Pipe - exhaust - Van	
	EXH102B	Pipe - exhaust - Side valve	
3	EXH103	Clamp - exhaust to manifold	
4	EXH104	Bracket assembly - front	
5	EXH105	Bracket assembly - rear	
6	EXH106	Shield - heat	
7	EXH107	Cover	
	EXH110	Fitting kit	



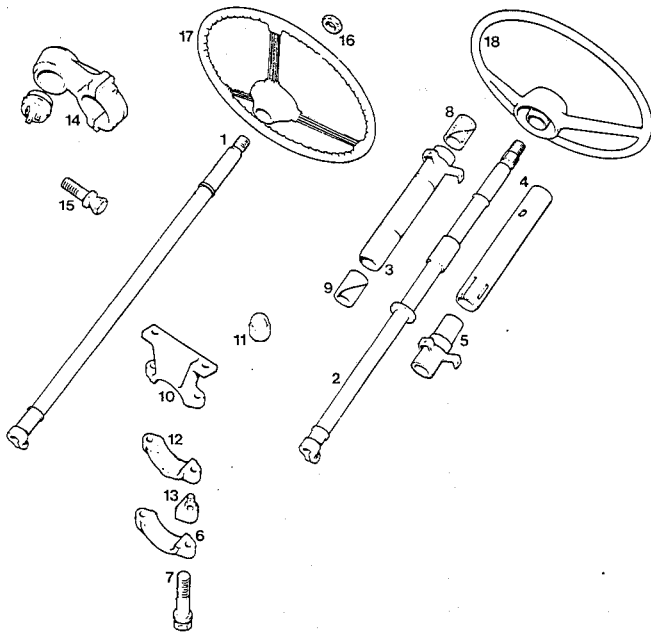
Ill. No.	Part Number	Description	Remarks
1	CRB 101	Carburettor assembly	H1 1 1/8" 803cc
	CRB 167	Carburettor assembly	948cc 9M/U/H101-165937
	CRB 201	Carburettor assembly	948cc 165938-353641
		Service kit	
		Repair kit	



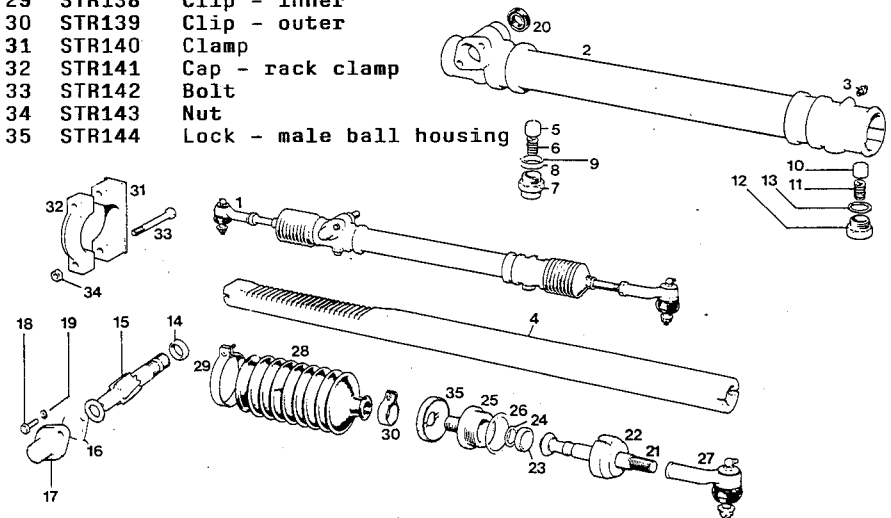
Ill. No.	Part Number	Description	Remarks
1	CRB 212	Carburettor assembly	9M/U/H353642-572042
	CRB 242	Carburettor assembly	9M/U/H574230 on 1098cc 10MA, 10ME/U/10 on 10V189/EH101 - 300 10V190/EH101 - 400 10V189E301 on 10V190E401 on
	CRB 246	Carburettor assembly	
		Service kit	
		Repair kit	

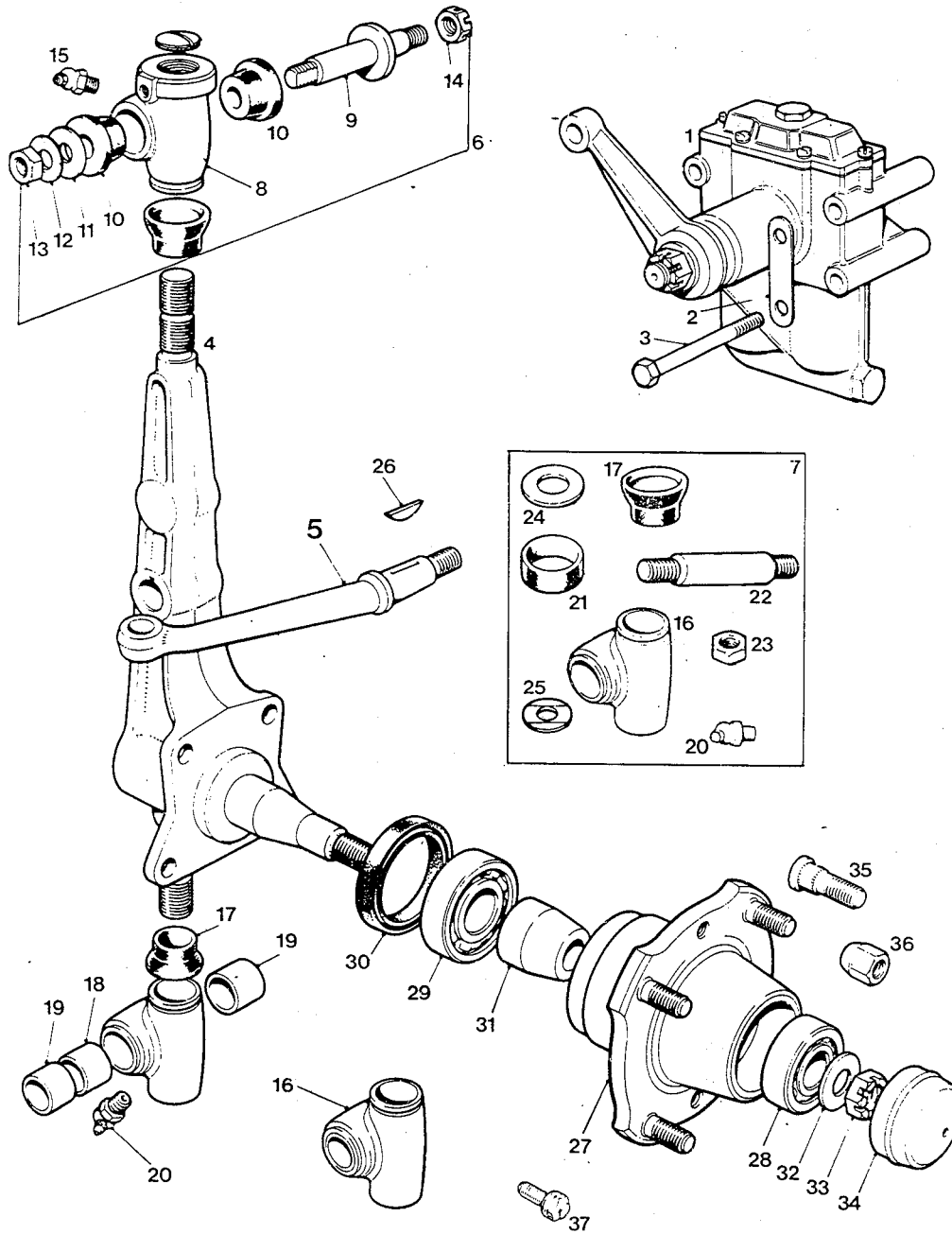


Ill. Part No.	Part Number	Description	Remarks
1	STR301	Column - inner	803cc, 948cc
	STR302	Column - inner	1098cc
2	STR303	Column - inner	Use with steering lock
3	STR304	Tube - outer	Please state chassis no.
4	STR305	Tube - outer	Use with steering lock
5	STR306	Carrier - flasher switch	
6	STR307	Clamp - steering column bracket	
7	STR308	Bolt - clamp	
8	STR309	Bush (felt) - upper	
9	STR310	Bush (felt) - lower	
10	STR311	Bracket - column support	
11	STR312	Nut	
12	STR313	Clamp - bracket	
13	STR314	Plate - clamp to bracket	
14	STR315	Lock assembly - with ignition switch	
15	STR316	Bolt - shear	
16	STR317	Nut - steering wheel	
17	STR318	Wheel - steering	Early 803cc
	STR319	Wheel - steering	Late 803cc and 948cc
18	Str320	Wheel - steering	1098cc



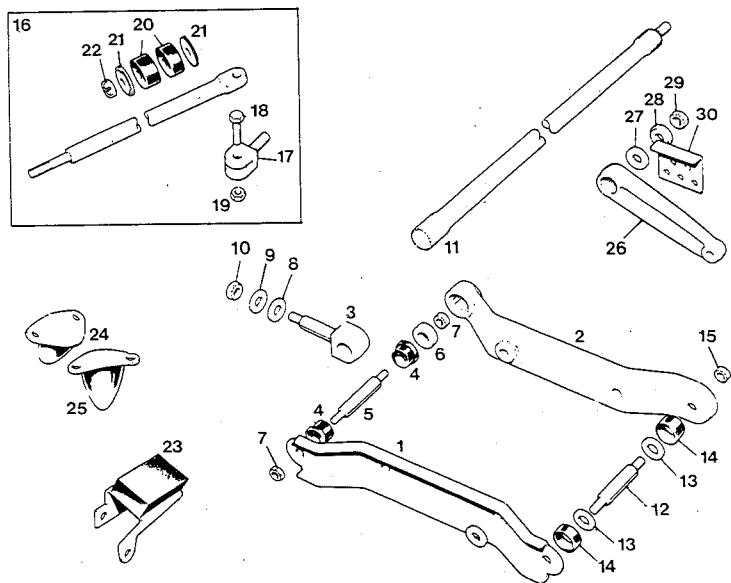
Ill. Part No.	Part Number	Description	Remarks
1	STR101	Rack assembly - RHD	
	STR102	Rack assembly - LHD	
2	STR103	Housing - RHD	
	STR104	Housing - LHD	
3	STR105	Lubricator	
4	STR106	Rack	
5	STR107	Pad - damper	
6	STR108	Spring - pad	
7	STR109	Housing - pad	
8	STR110	Shim - housing	
9	STR111	Shim - damper	
10	STR112	Pad - secondary damper	
11	STR113	Spring - pad	
12	STR114	Housing - pad	
13	STR115	Washer - joint - housing	
14	STR116	Washer - thrust - pinion top	
15	STR117	Pinion - RHD	
	STR118	Pinion - LHD	
16	STR119	Shim - tail bearing - .003" .076mm	
	STR120	Shim - tail bearing - .005" .127mm	
	STR121	Shim - tail bearing - .010" .254mm	
17	STR122	Bearing - pinion tail	
18	STR123	Screw - bearing to rack housing	
19	STR124	Washer - spring	
20	STR125	Seal - pinion	
21	STR126	Tie-rod	
	STR127	Tie-rod	All years to 1959
22	STR128	Housing - ball - feemale	
23	STR129	Seat - ball	
24	STR130	Shim - ball seat - .003" .076mm	
	STR131	Shim - ball seat - .005" .127mm	
25	STR132	Housing - ball - male	
26	STR133	Shim - ball housing - .002" .051mm	
	STR134	Shim - ball housing - .010" .254mm	
27	STR135	Track rod end	
	STR136	Track rod end	Chassis no. 566385 on
28	STR137	Seal - rack	
29	STR138	Clip - inner	
30	STR139	Clip - outer	
31	STR140	Clamp	
32	STR141	Cap - rack clamp	
33	STR142	Bolt	
34	STR143	Nut	
35	STR144	Lock - male ball housing	



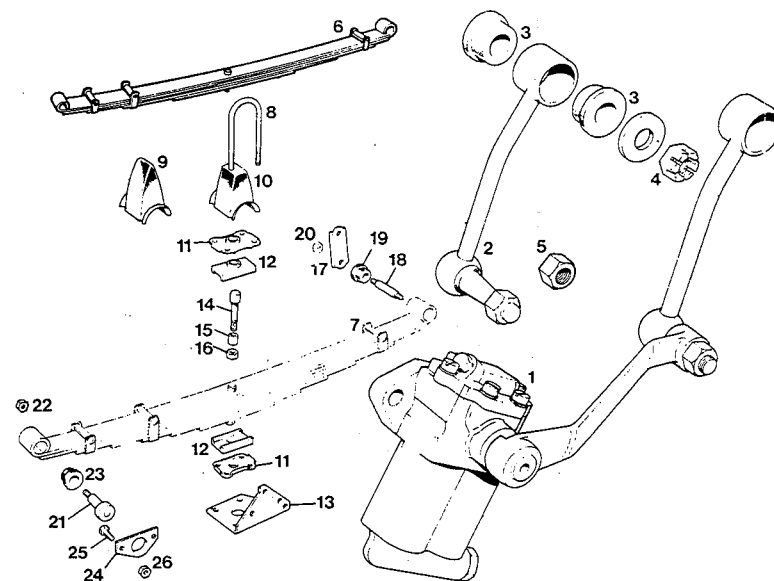


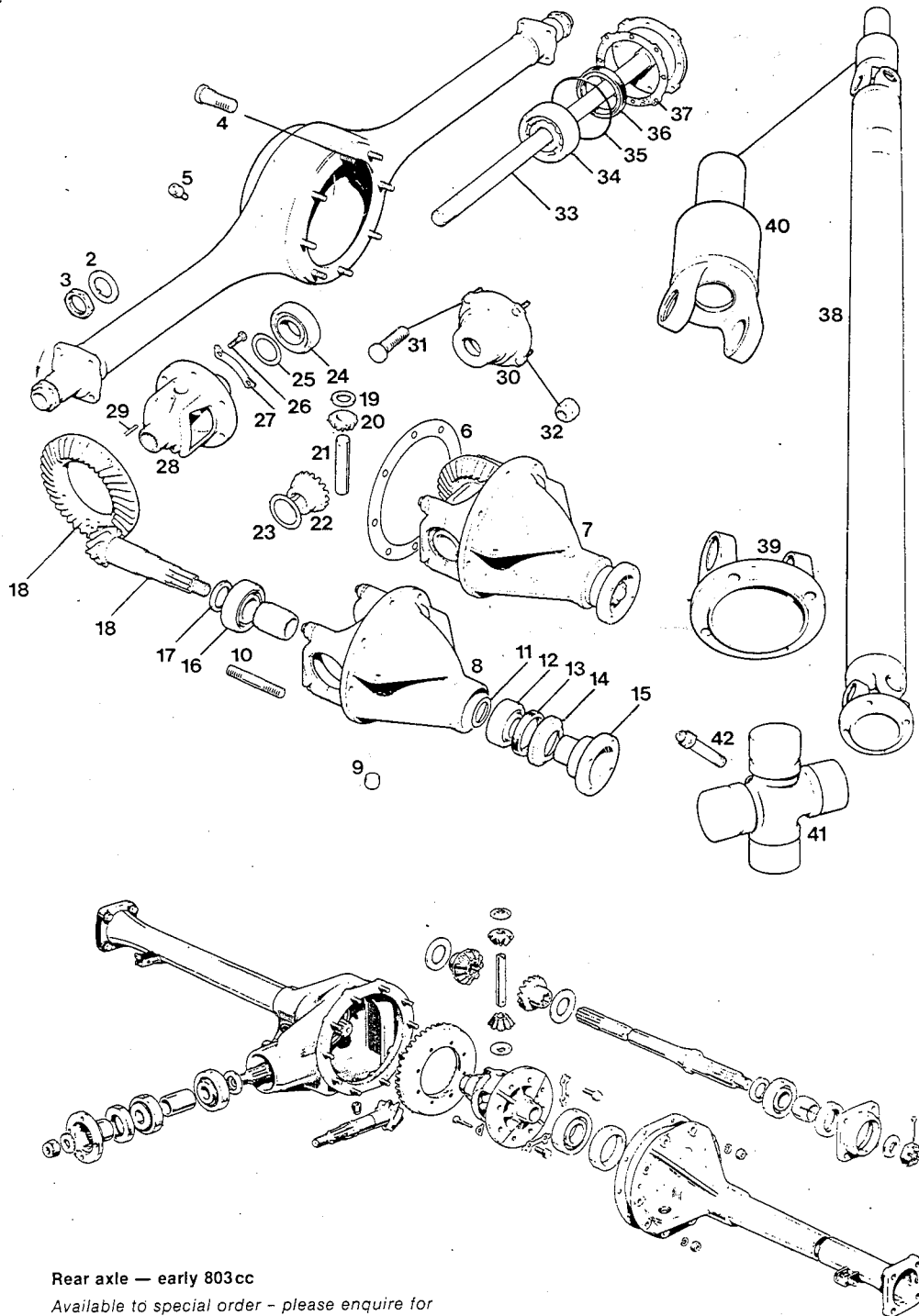
Ill. Part No. Number	Description	Remarks	
1	SUS129	Absorber - shock - RH	
	SUS130	Absorber - shock - LH	
2	SUS131	Plate - locking	
3	SUS132	Bolt - absorber to cross-member	
4	SUS133	Pin - swivel - RH	
	SUS134	Pin - swivel - LH	
5	SUS135	Lever - steering - RH	
	SUS136	Lever - steering - LH	
6	SUS137	Kit - trunnion - upper - RH	
	SUS138	Kit - trunnion - upper - LH	
7	SUS139	Kit - trunnion - lower - RH	
	SUS140	Kit - trunnion - lower - LH	
8	SUS141	Link - upper - RH	
	SUS142	Link - upper - LH	
9	SUS143	Pivot - shock absorber arm	
10	SUS144	Bush - upper link	
11	SUS145	Washer - pivot - rear	
12	SUS146	Washer - tab - pivot - rear	
13	SUS147	Nut - pivot - front	
14	SUS148	Nut - pivot - rear	
15	SUS149	Lubricator - upper link	
16	SUS150	Link - lower - RH	
	SUS151	Link - lower - LH	
17	SUS152	Seal - rubber	
18	SUS153	Tube - distance	
19	SUS154	Bush	
20	SUS155	Lubricator - lower link	
21	SUS156	Ring - sealing	
22	SUS157	Pin - fulcrum	
23	SUS158	Nut	
24	SUS159	Washer - thrust	
25	SUS160	Washer - tab - pivot	
26	SUS161	Woodruff	
27	SUS162	Hub assembly	
28	SUS163	Bearing - outer	
29	SUS164	Bearing - inner	
30	SUS165	Seal - oil - hub	
	SUS166	Kit - bearing	Includes SUS163-164-165
31	SUS167	Spacer - bearing	
32	SUS168	Washer - special	
33	SUS169	Nut - right-hand thread	
	SUS170	Nut - left-hand thread	
34	SUS171	Cap - grease retaining	
35	SUS175	Stud - wheel nut	
36	SUS176	Nut	
		Early 803cc only:	
	SUS172	Bearing - outer - 5/8" bore	
	SUS173	Bearing - inner - 7/8" bore	
	SUS174	Seal - oil - hub	
37	SUS177	Stud - wheel	

Ill. Part No.	Part Number	Description	Remarks
1	SUS101	Arm - lower - front	
2	SUS102	Arm - lower - rear	
3	SUS103	Eyebolt	
4	SUS104	Bush - eyebolt	
5	SUS105	Pin - fulcrum - eyebolt to arm	
6	SUS106	Spigot - pivot - rear	
7	SUS107	Nut	
8	SUS108	Washer - eyebolt - thick	
9	SUS109	Washer - eyebolt - thin	
10	SUS110	Nut	
11	SUS111	Bar - torsion	
12	SUS157	Pin - fulcrum - link to arm	
13	SUS112	Washer - thrust - fulcrum pin	
14	SUS113	Ring - sealing - fulcrum pin	
15	SUS107	Nut	
16	SUS114	Kit - tie rod	
17	SUS115	Fork - tie rod to lower arm	
18	SUS116	Bolt - tie rod to fork	
19	SUS117	Nut	
20	SUS118	Bush - rubber	
21	SUS119	Washer - cup	
22	SUS120	Nut	
23	SUS121	Bracket - rebound check	
24	SUS122	Bump stop - RH	
25	SUS123	Bump stop - LH	
26	SUS124	Lever - torsion bar	
27	SUS125	Washer - retaining - lever	
28	SUS126	Washer - locating - lever	
29	SUS127	Nut - torsion bar	
30	SUS128	Plate - adjuster	



Ill. Part No.	Part Number	Description	Remarks
1	SUS700	Absorber - shock - RH	
	SUS701	Absorber - shock - LH	
2	SUS702	Link - shock absorber	
3	SUS703	Bush - shock absorber link	
4	SUS704	Nut - link to frame	
5	SUS705	Nut - link to arm	
6	SUS706	Spring - 5-leaf	Later saloons and conv. Traveller
7	SUS707	Spring - 7-leaf	
8	SUS708	'U'-bolt - 7-leaf spring	
	SUS709	'U'-bolt - 5-leaf spring	
9		Buffer - earlier type	Use SUS710
10	SUS710	Buffer	
11	SUS711	Plate - locating	
12	SUS712	Pad - seating - rubber	
13	SUS713	Bracket - shock absorber RH	
	SUS714	Bracket - shock absorber LH	
14	SUS715	Bolt - dowel	
15	SUS716	Piece - distance	
16	SUS717	Nut	
17	SUS718	Plate - rear shackle	
18	SUS105	Pin - rear shackle	
19	SUS104	Bush - rear pin	
20	SUS107	Nut - pin	
21	SUS722	Pin - front shackle	
22	SUS705	Nut - pin	
23	SUS104	Bush - front pin	
24	SUS723	Plate - front bracket	
25	SUS724	Bolt - plate	
26	SUS725	Nut	





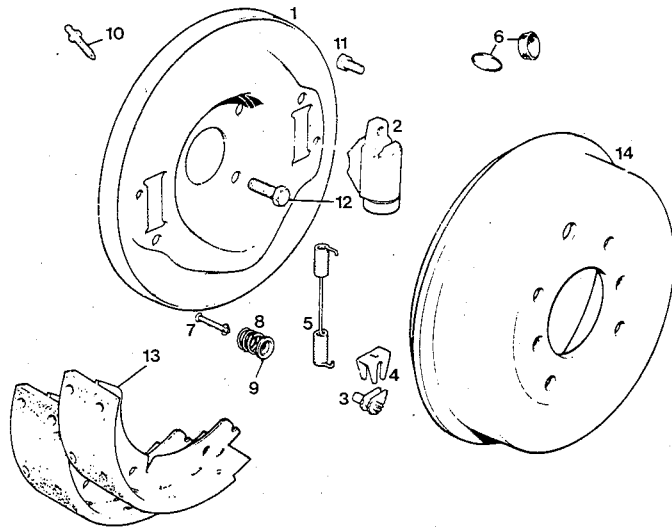
Ill. No.	Part Number	Description	Remarks
1	DIF101	Case assembly - axle	
2	DIF102	Washer - lock	
3	DIF103	Nut - bearing retainer - RHT	
	DIF104	Nut - bearing retainer - LHT	
4	DIF105	Stud	
5	DIF106	Breather	
6	DIF107	Gasket - axle case	
7	DIF108	Differential assembly	9x41 teeth - 4.55:1
	DIF109	Differential assembly	9x38 teeth - 4.22:1
8	DIF110	Carrier assembly	For DIF108
	DIF111	Carrier assembly	For DIF109
9	DIF112	Plug - oil filler and drain	
10	DIF113	Stud - bearing cap	
11	DIF114	Shim - outer bearing .003" .076mm	
	DIF115	Shim - outer bearing .005" .127mm	
	DIF116	Shim - outer bearing .010" .254mm	
	DIF117	Shim - outer bearing .020" .508mm	
12	DIF118	Bearing - pinion outer	
13	DIF119	Seal - oil - pinion bearing	
14	DIF120	Cover - dust	
15	DIF121	Flange - universal joint	
16	DIF122	Bearing - pinion inner	
17	DIF123	Washer - thrust .118" 2.997mm	
	DIF124	Washer - thrust .120" 3.048mm	
	DIF125	Washer - thrust .122" 3.099mm	
	DIF126	Washer - thrust .126" 3.200mm	
	DIF127	Washer - thrust .128" 3.251mm	
	DIF128	Washer - thrust .130" 3.302mm	
18	DIF129	Crown wheel and pinion	9x41 teeth - 4.55:1
	DIF130	Crown wheel and pinion	9x38 teeth - 4.22:1
19	DIF131	Washer - thrust - pinion	
20	DIF132	Pinion - differential	
21	DIF133	Pin - pinion	
22	DIF134	Wheel - differential	
23	DIF135	Washer - thrust - differential wheel	
24	DIF136	Bearing - differential	
25	DIF137	Washer - bearing .002" .051mm	
	DIF138	Washer - bearing .003" .076mm	
	DIF139	Washer - bearing .004" .102mm	
	DIF140	Washer - bearing .010" .254mm	
26	DIF141	Bolt - crown wheel to differential	
27	DIF142	Washer - tab	
28	DIF143	Cage - differential	
29	DIF144	Peg - pinion pin	
30	DIF145	Hub - assembly	
31	SUS175	Stud - wheel	
32	SUS176	Nut - wheel stud	
33	DIF146	Half shaft	
34	DIF147	Bearing - hub	
35	DIF148	Ring - oil seal (rubber)	
36	DIF149	Seal - oil - hub	
37	DIF150	Gasket - axle shaft	
38	DIF151	Shaft assembly - propeller	
39	DIF152	Flange - yoke	
40	DIF153	Sleeve - yoke	
41	DIF154	Universal joint	
42	DIF155	Lubricator	
	DIF156	Kit - wheel bearing	

Rear axle — early 803cc

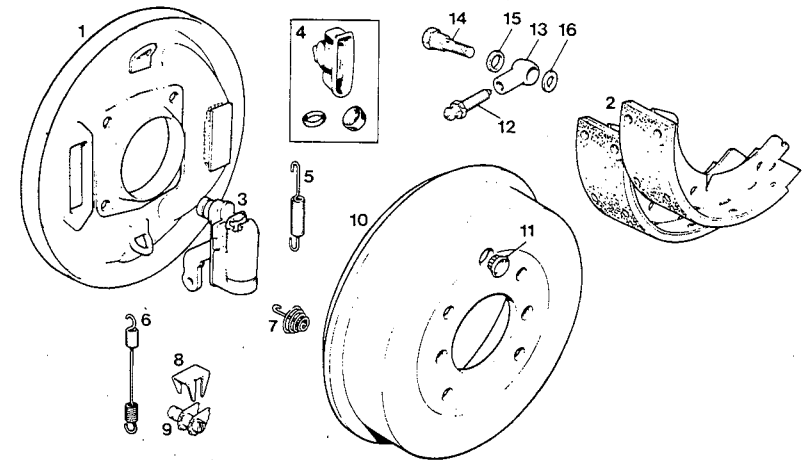
Available to special order - please enquire for further details

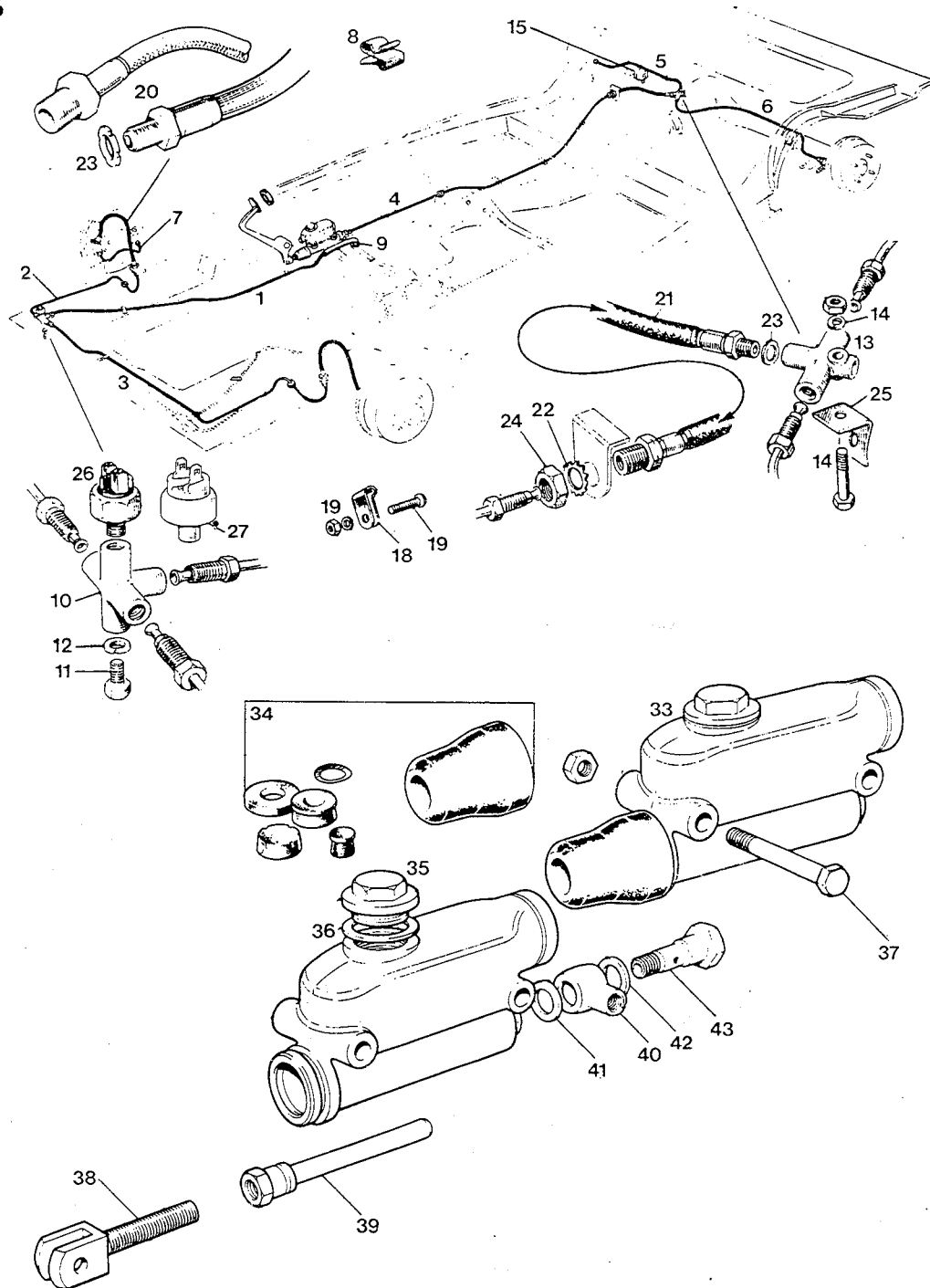
Ill. Part No. Number	Description	Remarks
1	FBK101 Plate - brake - RH	Late 803cc and 948cc *
	FBK102 Plate - brake - LH	
	FBK103 Plate - brake - LH	1098cc
	FBK104 Plate - brake - RH	
2	FBK105 Cylinder assembly RH	
	FBK106 Cylinder assembly LH	
6	FBK107 Kit - repair - wheel cylinder	
3	FBK108 Adjuster	Late 803cc and 948cc *
4	FBK109 Mask - adjuster	
3	FBK110 Adjuster	1098cc
4	FBK111 Mask - adjuster	
5	FBK112 Spring - pull off	Late 803cc and 948cc *
5	FBK113 Spring - pull off	1098cc
7	FBK114 Pin - steady - brake shoe	
8	FBK115 Spring - steady pin	
9	FBK116 Retainer - spring	
10	FBK117 Nipple - bleed	
11	FBK118 Screw - cylinder to back plate - short	
12	FBK119 Screw - cylinder to back plate - long	
13	FBK120 Kit - brake shoe	Late 803cc and 948cc *
	FBK121 Kit - brake shoe	1098cc
2	FBK122 Cylinder assembly RH	803cc to 228266
	FBK123 Cylinder assembly LH	Traveller to 216900
14	FBK124 Drum - brake - 178mm diam.	Late 803cc and 948cc
	FBK125 Drum - brake - 203mm diam.	1098cc

* Late 803cc means from chassis no. 228267 (car)
216901 (Traveller)
1098cc specifications started from chassis
no. 990289



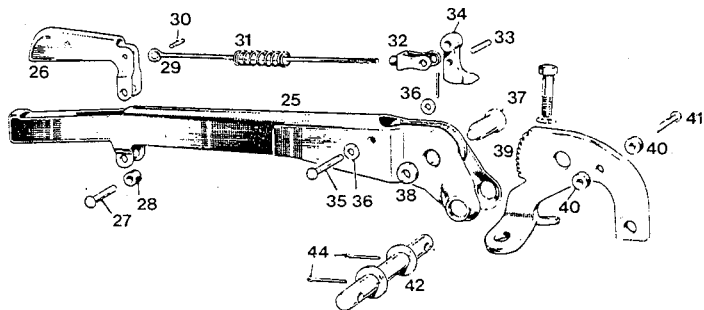
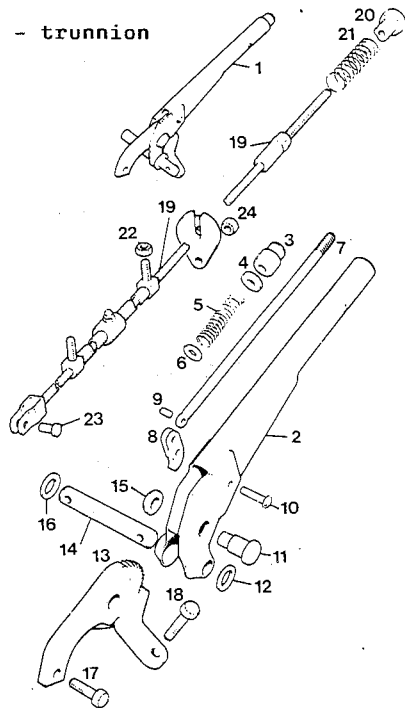
Ill. Part No. Number	Description	Remarks
1	RBK101 Plate - brake - RH	
	RBK102 Plate - brake - LH	
2	RBK103 Brake shoe assembly	
3	RBK123 Cylinder assembly - wheel	803cc to 228266 Traveller to 216900
	RBK105 Cylinder assembly - wheel	Late 803cc and all 948cc
	RBK106 Cylinder assembly - wheel	All 1098cc
4	RBK107 Kit - repair - wheel cylinder	For RBK105
	RBK108 Kit - repair - wheel cylinder	For RBK106
5	RBK109 Spring - tension	
6	RBK110 Spring - pull off	
7	RBK111 Spring - steady	
8	RBK112 Adjuster	All 803cc and 948cc
	RBK113 Adjuster	1098cc models
9	RBK114 Mask - adjuster	
10	RBK115 Drum - brake	
--	RBK116 Screw - drum to hub	
11	RBK117 Seal - dust - drum	
12	RBK118 Screw - bleed	
13	RBK119 Connection - banjo	
14	RBK120 Bolt - banjo connection	
15	RBK121 Gasket - large	
16	RBK122 Gasket - small	



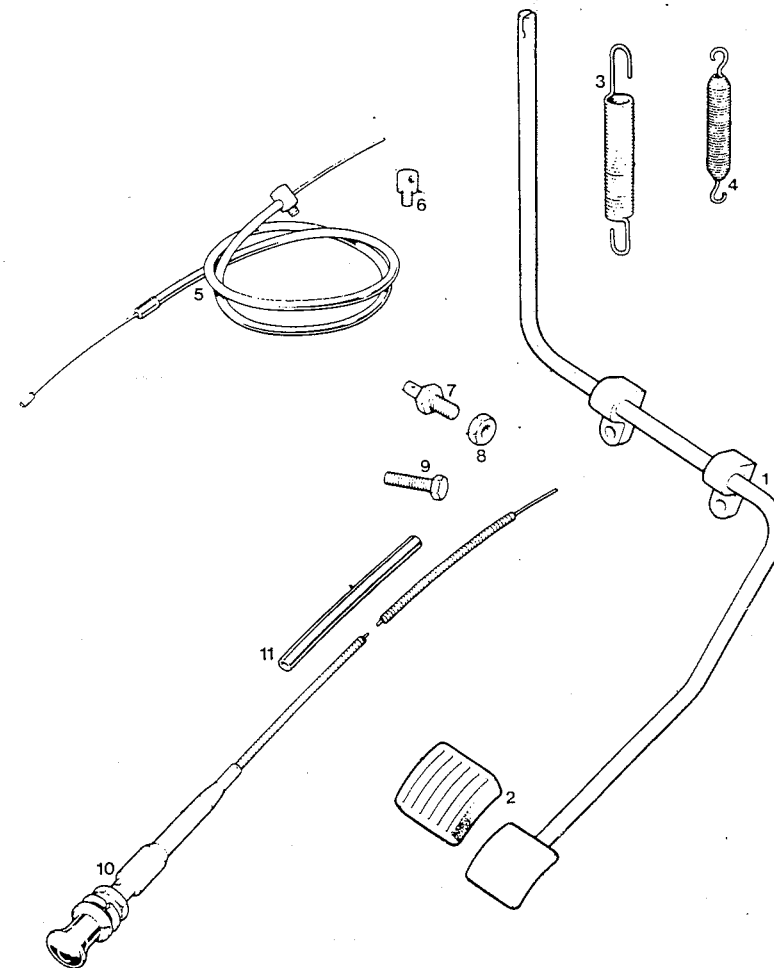


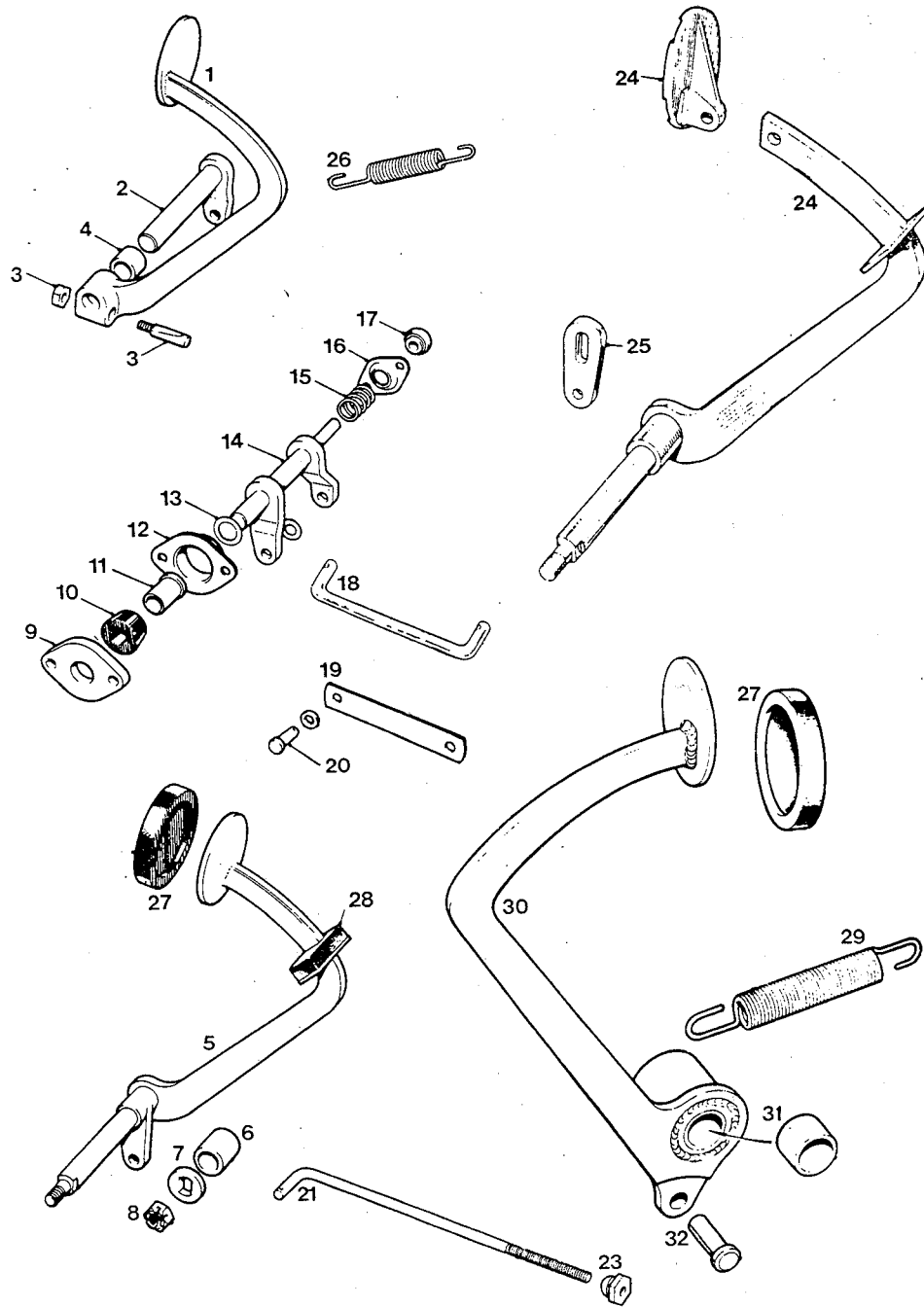
Ill. Part No. Number	Description	Remarks	
1	CBS101	Pipe - master cylinder to 3-way front	
2	CBS102	Pipe - 3 way to RH front	
3	CBS103	Pipe - 3 way to LH front	
4	CBS104	Pipe - master cylinder to rear hose	
5	CBS105	Pipe - hose to RH rear	
6	CBS106	Pipe - hose to LH rear	All pipes copper
7	CBS107	Pipe - bridge	
8	CBS108	Clip - pipe to hassis leg	
9	CBS109	Sleeve - pipe protecting	
10	CBS110	3-way piece front	
11	CBS111	Screw for 3-way piece front	
12	CBS112	Spring - washer	
13	CBS113	3-way piece for rear axle	
14	CBS114	Nut, bolt and spring washer	
15	CBS115	Strap - pipe to rear axle	
--	CBS116	Grommet for front wheel arch	
--	CBS117	Grommet for centre cross member	
18	CBS118	Clip - pipe to cross member	
19	CBS119	Nut, bolt and washer for clip	
20	CBS120	Hose - front	803cc to no. 228266 Traveller to 216900
	CBS122	Hose - front	Late 803cc, 948cc and 1098cc
21	CBS121	Hose - rear	803cc to no. 228266 Traveller no. 216900
	CBS122	Hose - rear	Late 803cc, 948cc and 1098cc
22	CBS123	Washer	
23	CBS124	Gasket	
24	CBS125	Locknut	
25	CBS126	Bracket for rear hose	
26	CBS127	Switch - stop light	
27	CBS128	Switch - stop light	
33	CBS133	Master cylinder assembly	803cc and 948cc to chassis no. 990289
34	CBS134	Kit - master cylinder repair	
35	CBS135	Plug - filler	
36	CBS136	Gasket - plug	
37	CBS137	Bolt - master cylinder fixing	
38	CBS138	Yoke - push rod	
39	CBS139	Rod - push - piston	
40	CBS140	Connection - bajno	
41	CBS141	Gasket - banjo bolt - large	
42	CBS142	Gasket - banjo bolt - small	
43	CBS143	Bolt	
33	CBS144	Master cylinder assembly	1098cc
34	CBS145	Kit - master cylinder repair	1098cc

Ill. Part No.	Part Number	Description	Remarks
1	HBK101	Lever assembly - handbrake - 948cc and 1098cc	
2	HBK102	Lever	
3	HBK103	Knob release	
4	HBK104	Washer - anti-rattle (felt)	
5	HBK105	Spring	
6	HBK106	Washer - plain	
7	HBK107	Rod - release	
8	HBK108	Pawl	
9	HBK109	Rivet	
10	HBK110	Rivet - lever pawl pivot	
11	HBK111	Pin - fulcrum	
12	HBK112	Washer - fulcrum pin	
13	HBK113	Ratchet	
14	HBK114	Trunnion - lever	
15	HBK115	Washer - self-fixing - trunnion	
16	HBK116	Washer - trunnion	
17	HBK117	Bolt with nut	
18	HBK118	Bolt	
19	HBK119	Cable - handbrake	
20	HBK120	Nut - adjusting	
21	HBK121	Spring - adjusting	
22	HBK122	Nut	
23	HBK123	Pin - clevis	
24	HBK124	Nut	
--	HBK125	Lever assembly 803cc	
25	HBK126	Lever	
26	HBK127	Trigger	
27	HBK128	Rivet - trigger	
28	HBK129	Distance piece	
29	HBK130	Rod - trigger pull	
30	HBK131	Rivet	
31	HBK132	Spring	
32	HBK133	Yoke	
33	HBK134	Rivet	
34	HBK135	Pawl	
35	HBK136	Rivet	
36	HBK137	Washer	
37	HBK111	Pin	
38	HBK112	Washer	
39	HBK138	Ratchet	
40	HBK139	Washer	
41	HBK140	Rivet	
42	HBK141	Trunnion	
43	HBK116	Washer	
44	HBK123	Pin	



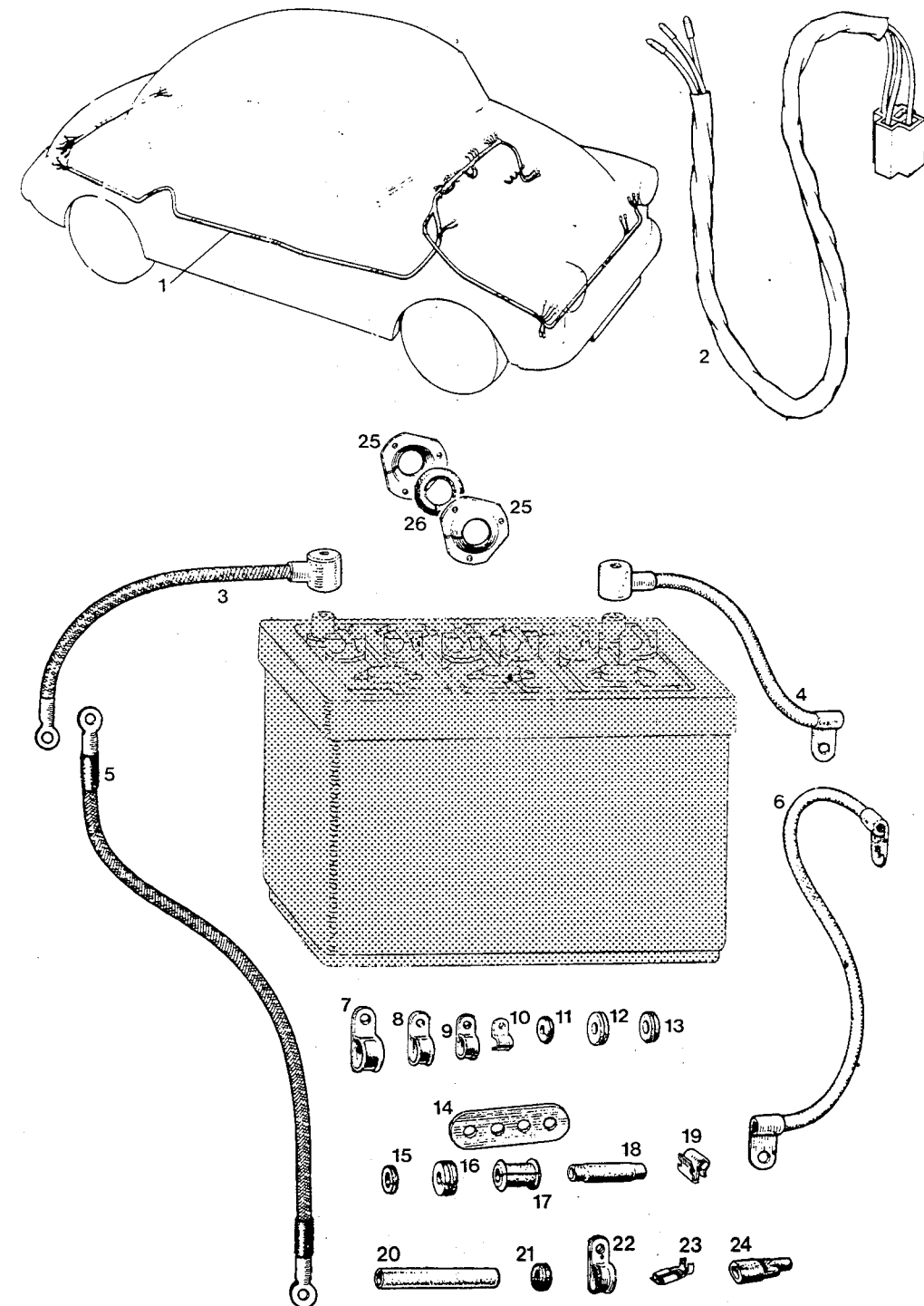
Ill. Part No.	Part Number	Description	Remarks
1	ACP101	Pedal - accelerator	
2	ACP102	Rubber - pedal	
3	ACP103	Spring - throttle return	
4	ACP104	Spring - pedal return	
5	ACP105	Cable assembly - accelerator	
6	ACP107	Barrel - 'T'	
7	ACP108	Pin - carburetter lever	
8	ACP109	Nut	
9	ACP110	Screw special	
10	ACP111	Control - mixture (choke)	
11	ACP112	Tube - anti-rattle - rubber	



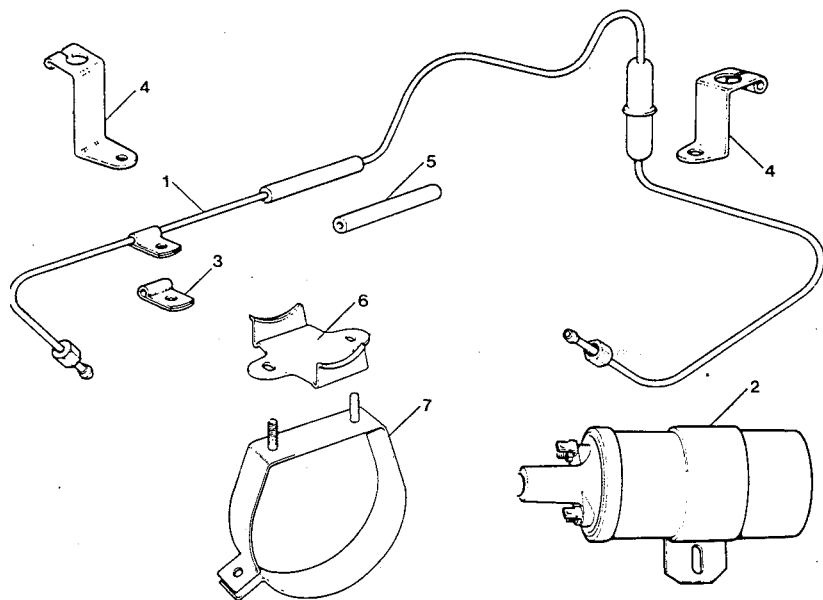


Ill. Part No.	Part Number	Description	Remarks
1	COM101	Pedal - clutch	803cc and 948cc to chassis nos.
2	COM102	Shaft - with lever	
3	COM103	Cotter - incl. nut and washer	MAT3 577815 MAW3 572277
4	COM104	Bush - frame	
5	COM105	Pedal - clutch	Late 948cc and 1098cc
	COM105A	Shaft only	
6	COM106	Spacer - clutch pedal	
7	COM107	Washer - locating	
8	COM108	Nut	
9	COM109	Packing piece - RHD only	All models - except where otherwise shown
10	COM110	Bush - bracket (rubber)	
11	COM111	Bush - relay shaft	
12	COM112	Bracket	
13	COM113	Washer - plain	
14	COM114	Shaft with lever	From no. 198690
	COM115	Shaft with lever	From no. 990290
15	COM116	Spring - relay shaft	
16	COM117	Retainer - bearing	
17	COM118	Bearing	
18	COM119	Rod - pedal to relay	Use COM120 + COM121
19	COM120	Plate - pedal to relay	
20	COM121	Clevis pin	
21	COM122	Rod - relay to engine lever	From no. 198690
22	COM123	Rod - relay to engine lever	From no. 990290
23	COM124	Washer - anti-rattle	
	COM125	Nut for COM122 and COM123	
	COM126	Nut - lock	
24	COM127	Pedal - clutch - LHD	COM105A shaft only
25	COM128	Lever - clutch - LHD	
26	COM129	Spring - return	803cc and 948cc
	COM130	Spring - return	From no. 990290
27	COM131	Rubber pad	Clutch and brake pedals
28	COM132	Pad - pedal seating	
29	CBS129	Spring - brake pedal return	
30	CBS130	Pedal - brake	
31	COM104	Bush - pedal shaft	
32	CBS132	Pin - clevis	

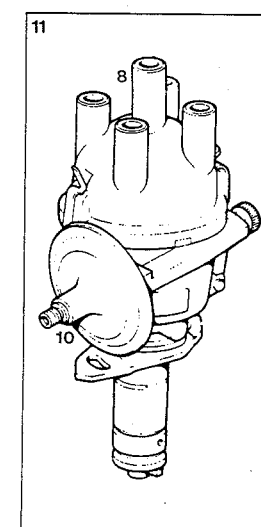
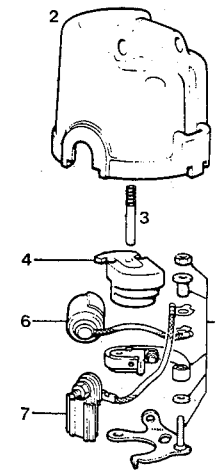
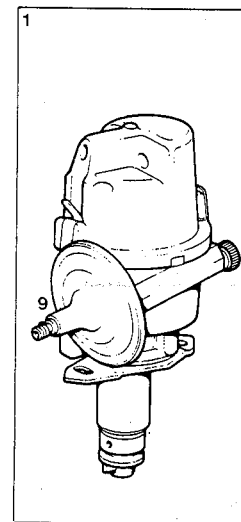
Ill. Part No.	Part Number	Description	Remarks
1	WRC101	Harness	State type and chassis number
2	WRC103	Cable - dipswitch	State LHD or RHD
3	WRC104	Cable - battery to starter	
4	WRC105	Cable - battery positive to earth	
5	WRC106	Cable - starter switch to starter	
6	WRC107	Cable - engine to earth	
7	WRC108	Clip - harness to valance	
8	WRC109	Clip - harness to dash	
9	WRC110	Clip - number plate lamp cable (Boot-lid)	
10	WRC111	Clip - petrol gauge cable to dash	
11	WRC112	Grommet - petrol pump lead	
12	WRC113	Grommet - spare wheel floor	
13	WRC114	Grommet - headlamp wires	
14	WRC115	Spacer - HT cables	
15	WRC116	Grommet - trafficator switch cable	
16	WRC117	Grommet - tail lamp cable	Saloons and convertible
17	WRC118	Ferrule - rear lamp cable	Traveller
18	WRC119	Connector - horn feed and earth leads	
19	WRC120	Clip - number plate lamp	Boot-lid
20	WRC121	Sleeve - tail lamp cable	Saloons and convertible
21	WRC122	Grommet - tail lamp cable	Traveller
22	WRC123	Clip - rear lamp cable	Traveller
23	WRC124	Connector - Lucar	
24	WRC125	Insulator - connector socket	
25	WRC126	Cap - grommet retainer to dash	
26	WRC127	Grommet	



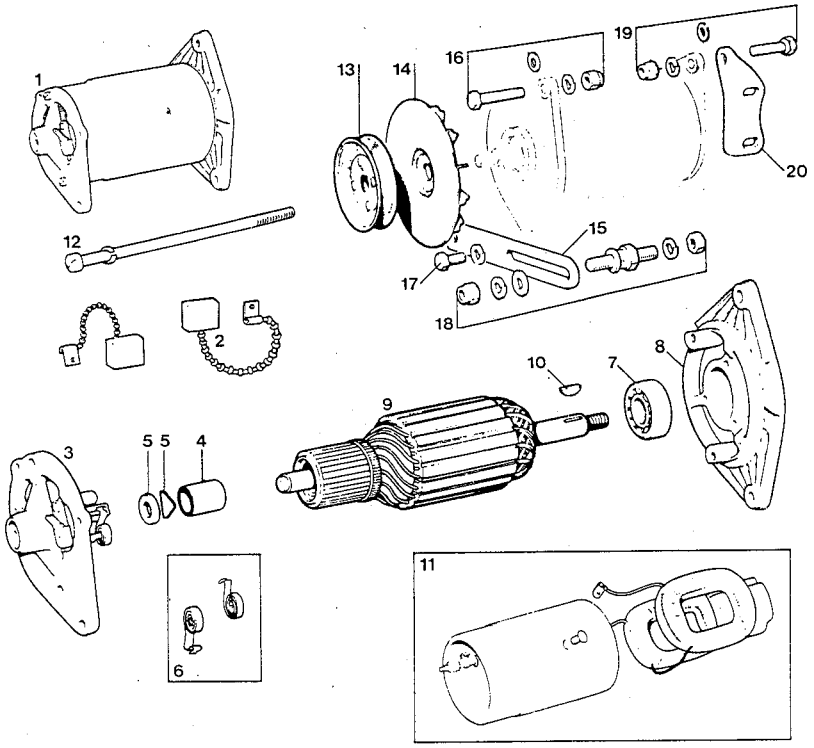
Ill. Part No.	Part Number	Description	Remarks
1	VAC101	Pipe assembly	803cc and early 948cc to eng.no. 9M/U353641 Later 948cc and 1098cc
	VAC102	Pipe assembly	
2	VAC103	Coil assembly	
3	VAC104	Clip	
4	VAC105	Clip - fuel trap mounting	
5	VAC106	Connection - rubber	
6	VAC107	Plate - steady	
7	VAC108	Bracket - dynamo - coil mounting	



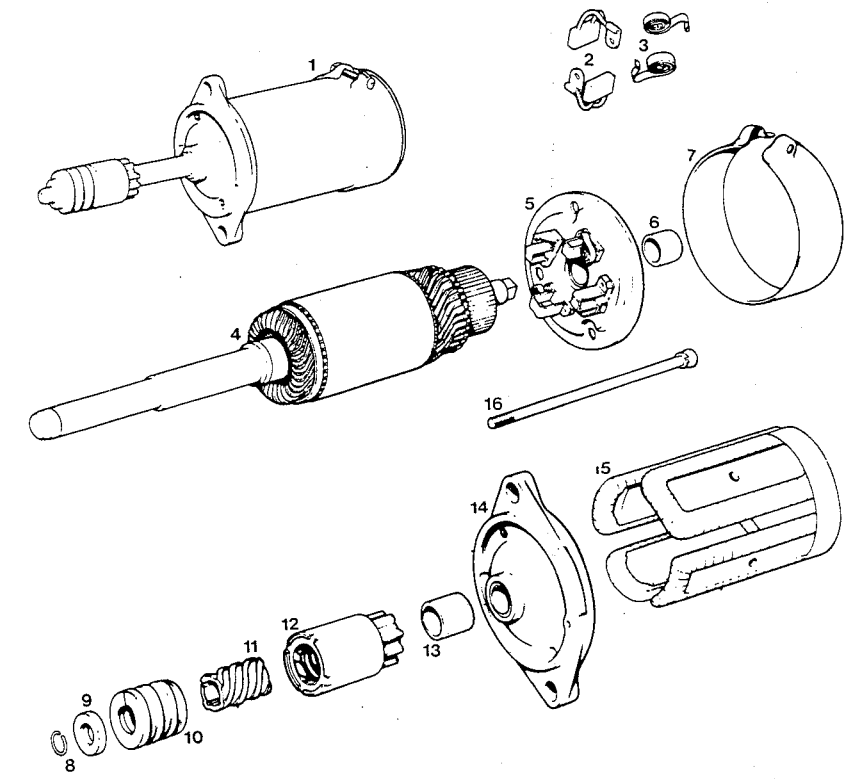
Ill. Part No.	Part Number	Description	Remarks
1	DST101	Distributor assembly	948cc
2	DST102	Cap - distributor	
3	DST103	Brush and spring	
4	DST104	Arm - rotor	
5	DST105	Contact set	
6	DST106	Condenser	
7	DST107	Terminal - bush and head	
8	DST108	Cap - distributor	
9	DST109	Vaccum unit	803cc and 948cc 1098cc
10	DST110	Vaccum unit	
11	DST111	Distributor assembly	1098cc
	DST112	Distributor assembly	803cc



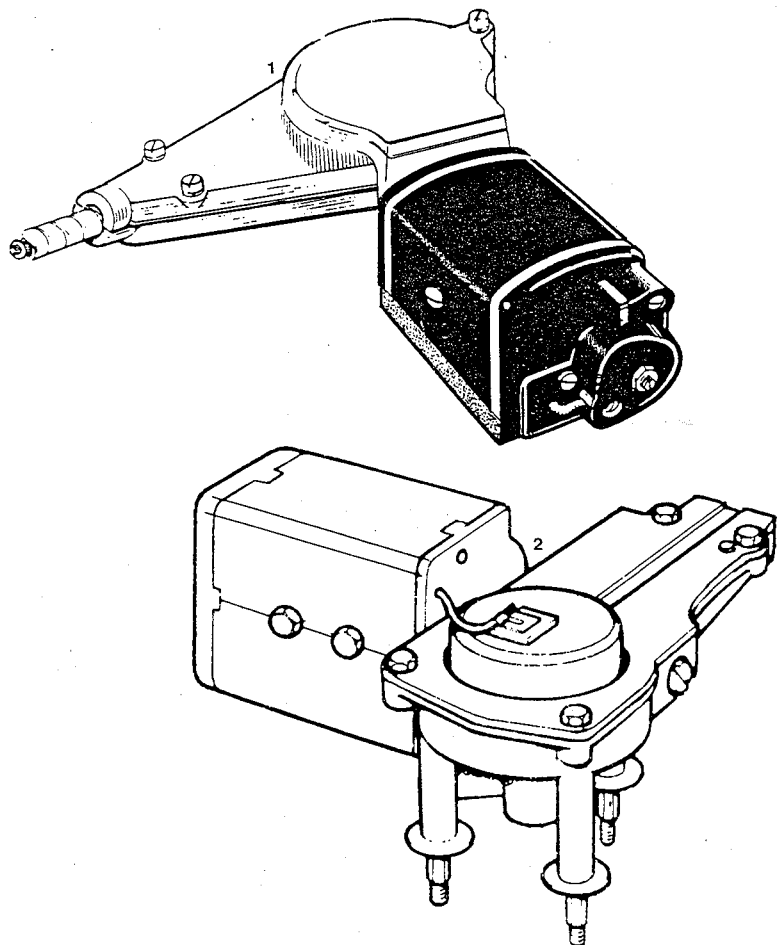
Ill. Part No.	Part Number	Description	Remarks
1	DYN101	Dynamo assembly	
2	DYN102	Brush set	
3	DYN103	Bracket assembly - commutator end	
4	DYN104	Bush - bearing	
5	DYN105	Oiler	
6	DYN106	Spring - brush tension	
7	DYN107	Bearing - drive end	
8	DYN108	Bracket - drive end	
9	DYN109	Armature	
10	DYN110	Key - armature	
11	DYN111	Kit - field coil	
12	DYN112	Bolt - through fixing	
13	DYN113	Pulley - dynamo	
14	DYN114	Fan - dynamo	
15	DYN115	Link - dynamo adjusting	
16	DYN116	Screw, nut and washers	
17	DYN117	Screw and spring washer	
18	DYN118	Pillar - dynamo adjusting link	
19	DYN119	Screw, nut and washers	
20	DYN120	Bracket - dynamo - rear	



Ill. Part No.	Part Number	Description	Remarks
1	ST101	Starter assembly	
2	ST102	Brush set	Quote numbers on motor
3	ST103	Kit - brush tension	Quote numbers on motor
4	ST104	Armature	
5	ST105	Bracket - commutator end	
6	ST106	Bush	
7	ST107	Cover - band	
8	ST108	Ring - spring	
9	ST109	Cup - shaft	
10	ST110	Spring - main	
11	ST111	Sleeve - screwed	
12	ST112	Pinion and barrel	
13	ST113	Bush	
14	ST114	Bracket assembly - drive end	
15	ST115	Kit - field coil	
16	ST116	Bolt - through fixing	

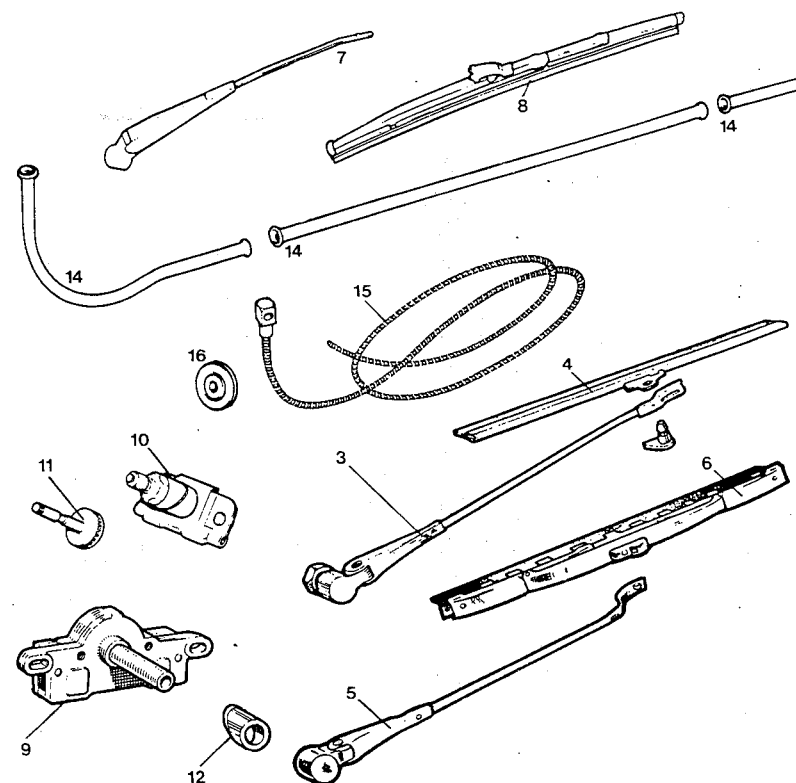


Ill. Part No.	Part Number	Description	Remarks
1	WPR101	Motor - windscreen wiper	803cc
2	WPR102	Motor - windscreen wiper - 110° angle of wipe	948cc*
	WPR103	Motor - windscreen wiper - 100° angle of wipe	948cc*
	WPR104	Motor - windscreen wiper - 150° angle of wipe	1098cc

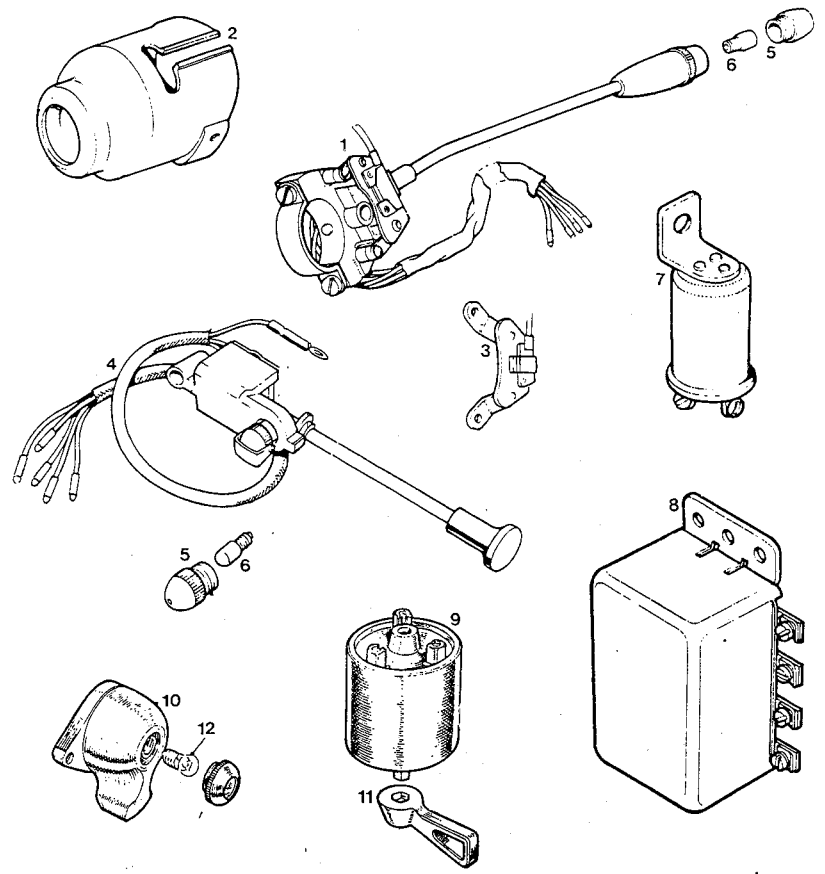


* No chassis number changes are available, so it is very important that you quote all the numbers that are stamped on your old wiper motor.

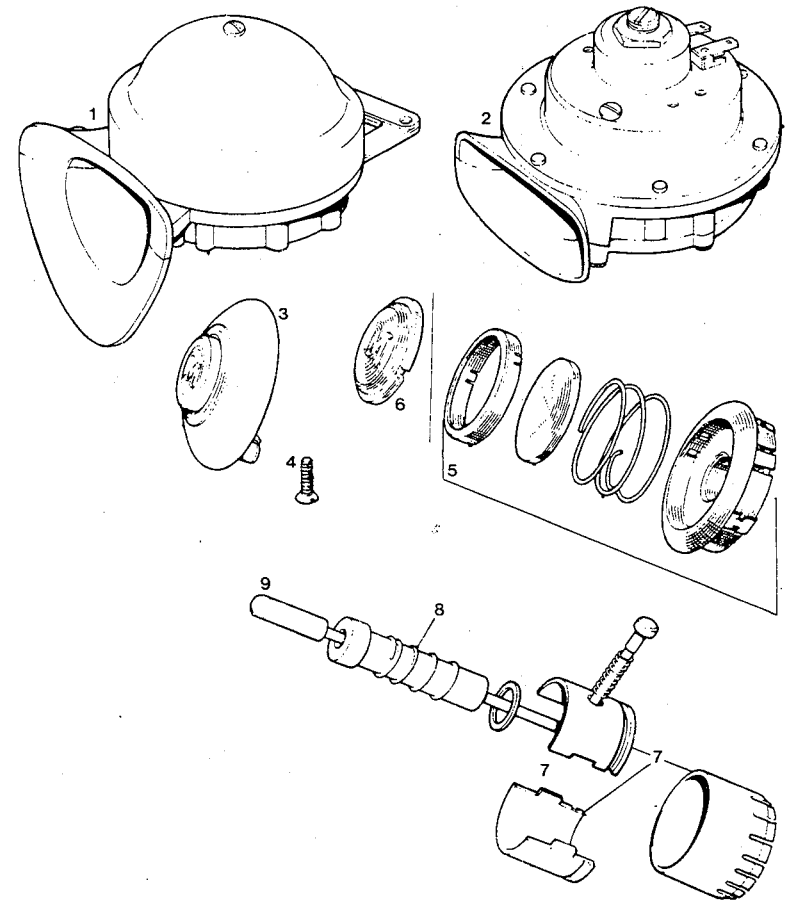
Ill. Part No.	Part Number	Description	Remarks
3	WPR105	Arm - windscreen wiper RH	803cc
	WPR106	Arm - windscreen wiper LH	
4	WPR107	Blade	803cc
5	WPR108	Arm - windscreen wiper RH	948cc
	WPR109	Arm - windscreen wiper LH	
6	WPR110	Blade	948cc
7	WPR111	Arm - windscreen wiper RH/LH	1098cc
8	WPR112	Blade	1098cc
9	WPR113	Wheelbox	803cc
10	WPR114	Wheelbox	948cc
	WPR115	Wheelbox	1098cc
11	WPR116	Spindle and gear	948cc
	WPR117	Spindle and gear	1098cc
12	WPR118	Finisher	803cc
	WPR119	Finisher	948cc and 1098cc
14	WPR120	Guide - rack	948cc and 1098cc
15	WPR121	Cross-head and rack	948cc and 1098cc
	WPR122	Cross-head and rack	803cc
16	WPR123	Grommet - rack guide	

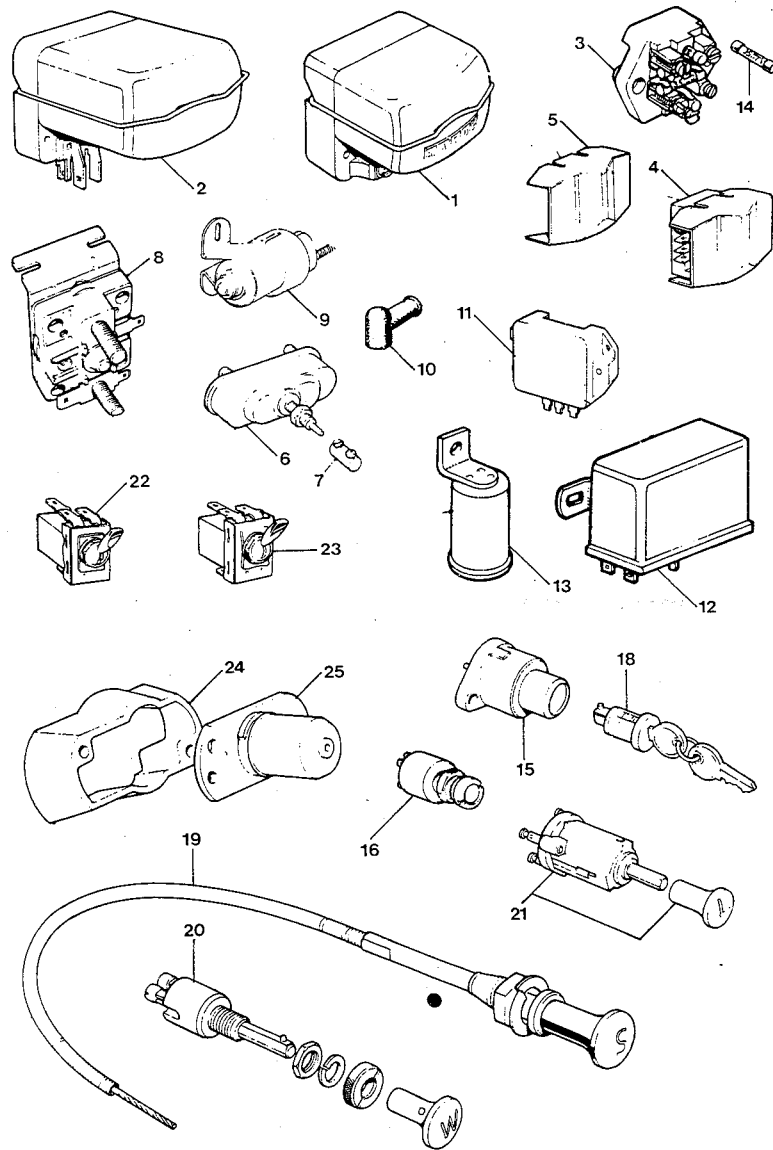


Ill. Part No.	Part Number	Description	Remarks
1	SWT101	Switch assembly - indicator	
2	SWT102	Cover - switch	
3	SWT103	Contact - horn	
4	SWT104	Control assembly - horn and indicator	
5	SWT105	Window - bulb	
6	BLB280	Bulb	
7	SWT106	Relay - indicator	Push on connector units
8	SWT107	Relay - indicator - 8-way	
9	SWT108	Switch - indicator	
10	SWT109	Switch - indicator	
11	SWT110	Lever	
12	BLB987	Bulb	

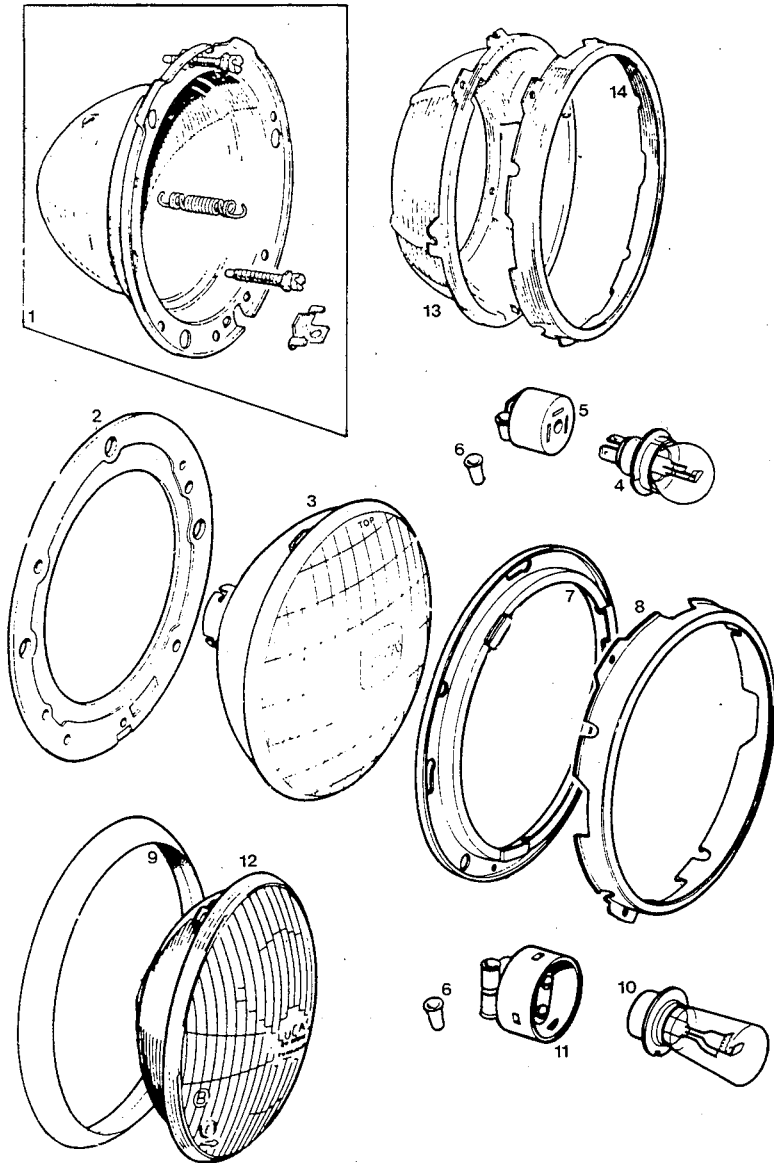


Ill. Part No.	Part Number	Description	Remarks
1	HRN101	Horn assembly	Use HRN102
2	HRN102	Horn assembly	
3	HRN103	Plus assembly - horn	
4	HRN104	Screw	
5	HRN105	Push assembly (less motif)	
6	HRN106	Motif	
7	HRN107	Ring assembly - slip	State chassis number
8	HRN108	Spring	
9	HRN109	Contact	



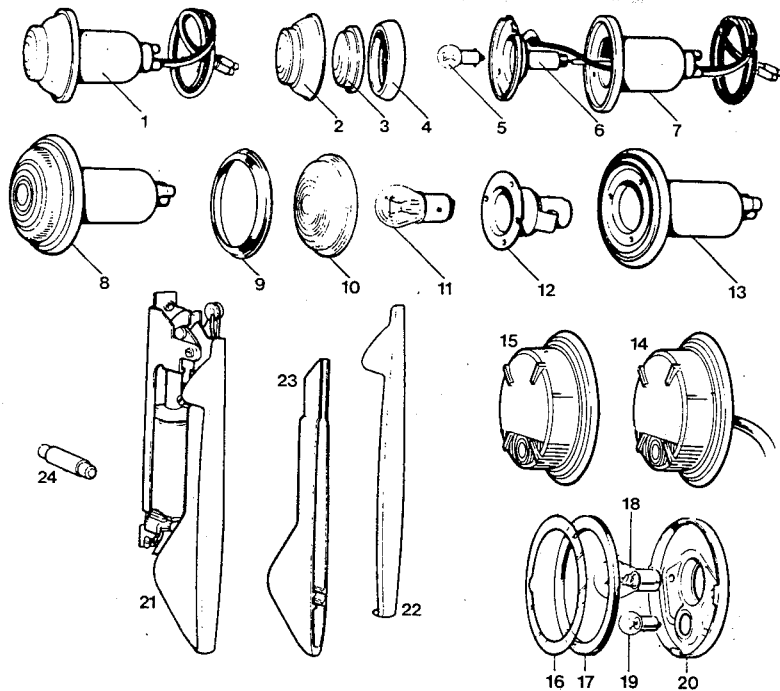


Ill. No.	Part Number	Description	Remarks
1	SWH101	Regulator box assembly	Screw terminals
2	SWH102	Regulator box assembly	Lucar connectors
3	SWH103	Fusebox assembly	Screw terminals
4	SWH104	Fusebox assembly	Lucar connectors
5	SWH105	Cover	
6	SWH106	Switch - starter	
7	SWH107	Coupling - starter switch to control	
8	SWH108	Switch - starter solenoid	
9	SWH109	Switch - starter solenoid	Use SWH108
10	SWH110	Cap - terminal insulating	
11	SWH111	Regulator box	For alternator only
12	SWH112	Relay	For alternator only
13	SWH113	Warning light control	For alternator only
14	SWH113	Fuse - 35 amp	
15	SWH114	Switch - ignition	
16	SWH115	Switch - ignition - starter	
18	SWH117	Lock assembly - ignition	
19	SWH118	Control assembly - starter	803cc - brown knob
19	SWH119	Control assembly - starter	948cc - black knob
20	SWH120	Switch - windscreen wiper	803cc - brown knob
20	SWH121	Switch - windscreen wiper	948cc - black knob
21	SWH122	Switch - lighting	803cc - brown knob
21	SWH123	Switch - lighting	948cc - black knob
22	SWH124	Switch - windscreen wiper	1098cc
23	SWH125	Switch - lighting	1098cc
24	SWH126	Packing - dipper switch	
25	SWH127	Switch - dipper	

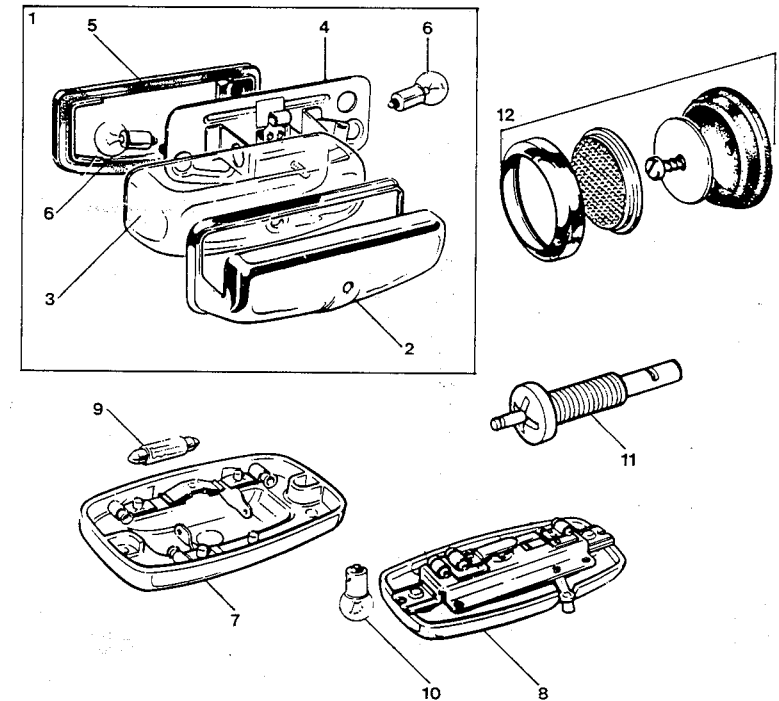


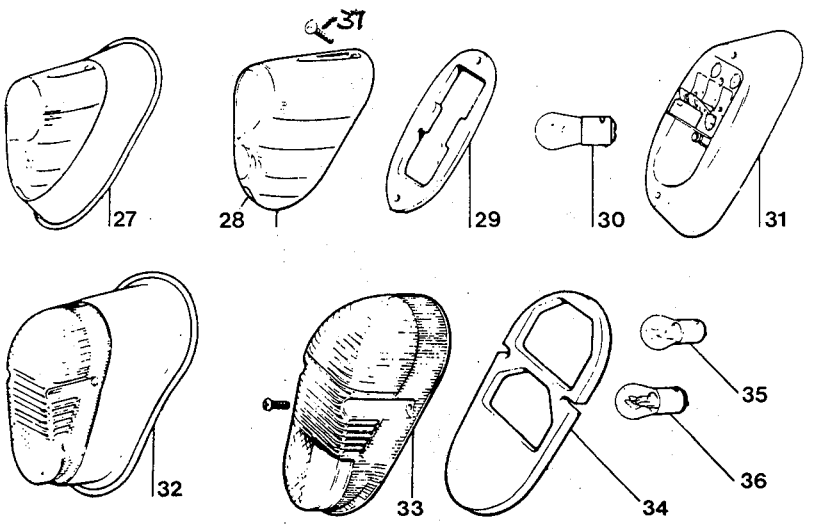
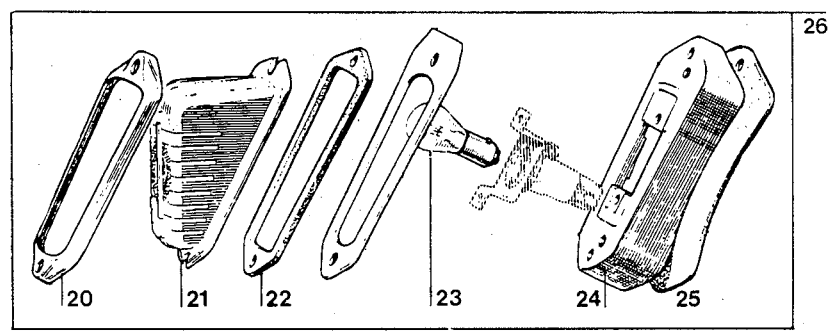
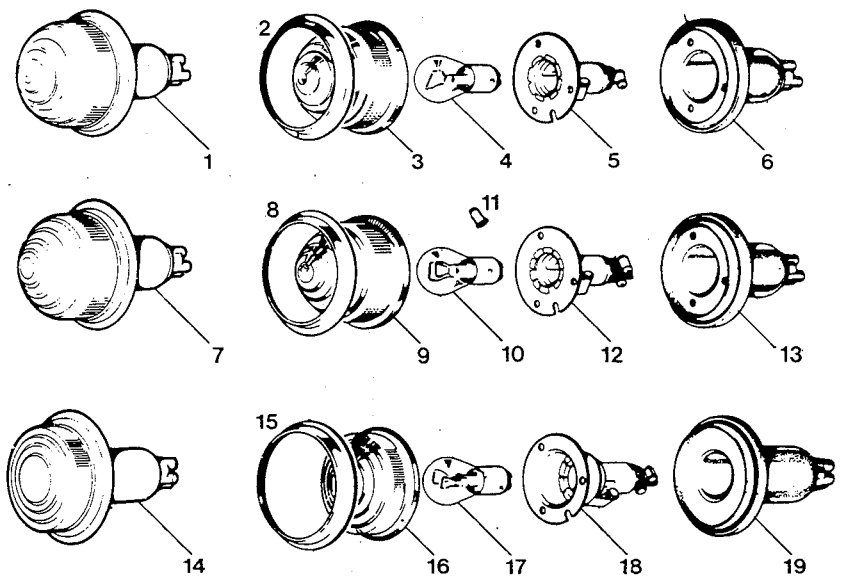
Ill. Part No.	Part Number	Description	Remarks
1	LMP151	Bucket	3 adjusting screws
	LMP160	Bucket	2 adjusting screws
2	LMP152	Gasket	
3	LMP153	Unit - light	
4	BLB410	Bulb - 3-pin	
5	LMP154	Adaptor	
6	LMP108	Connector	
7	LMP155	Plate	3 adjusting screws
8	LMP156	Rim	3 adjusting screws
9	LMP157	Bezel	
10	BLB414	Bulb - bayonet fitting	
11	LMP158	Adaptor	
12	BLB114	Unit - light - sealed beam	
13	LMP159	Plate	2 adjusting screws
14	LMP160A	Rim	2 adjusting screws
	LMP900	Headlamp assembly Complete (less LMP157)	

Ill. Part No.	Part Number	Description	Remarks
1	LMP132	Lamp assembly - side	803cc and early 948cc
2	LMP133	Bezel assembly	
3	LMP134	Glass	
4	LMP135	Bezel	
5	BLB989	Bulb	
6	LMP136	Bulbholder assembly	
7	LMP137	Body	
8	LMP138	Lamp assembly - side and flasher - later 948cc	
9	LMP102	Bezel	
10	LMP139	Lens	
11	BLB380	Bulb	
12	LMP140	Bulbholder assembly	
13	LMP113	Body	
14	LMP170	Lamp assembly - side-light/indicator	
15	LMP171	Lens assembly	
16	LMP172	Ring - sliding	
17	LMP173	Gasket - lens seating	
18	BLB382	Bulb - flasher	
19	BLB989	Bulb - side lamp	
20	LMP174	Base	
21	LMP175	Trafficator assembly	
22	LMP176	Arm	
23	LMP177	Cover	
24	BLB256	Bulb	



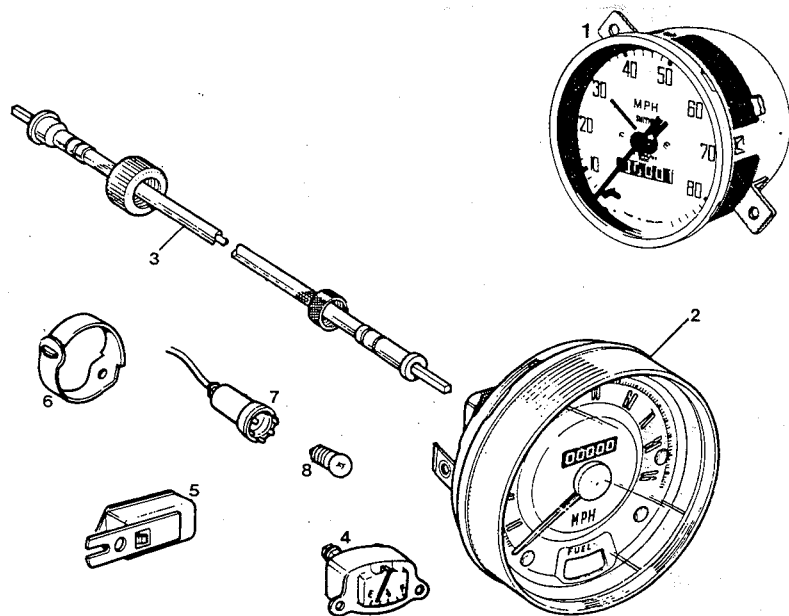
Ill. Part No.	Part Number	Description	Remarks
1	LMP141	Lamp assembly - number plate	
2	LMP142	Cover	
3	LMP143	Window	
4	LMP144	Base	
5	LMP145	Gasket - window seating	
6	BLB989	Bulb	
7	LMP146	Lamp assembly - interior	1098cc
8	LMP147	Lamp assembly	
9	BLB254	Bulb	
10	BLB989	Bulb	
11	LMP148	Switch - courtesy light	
12	LMP149	Reflector - 2 1/4"	803cc/948cc Traveller
	LMP150	Reflector - 2 7/8"	1098cc Traveller



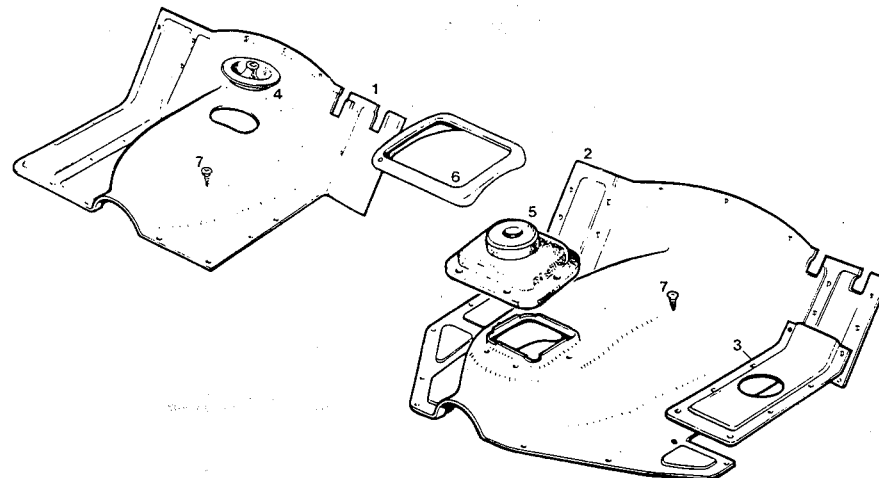


Ill. No.	Part Number	Description	Remarks
TRAVELLER - 1098cc			
1	LMP101	Lamp assembly - flasher - amber lens	
2	LMP102	Bezel	
3	LMP103	Lens - amber	
4	BLB382	Bulb - flasher	
5	LMP104	Bulbholder assembly	
6	LMP105	Body - rubber	
7	LMP106	Lamp assembly - stop and tail	
8	LMP102	Bezel	
9	LMP107	Lens - red	
10	BLB380	Bulb - stop/tail	
11	LMP108	Connector - 'bullet'	
12	LMP109	Bulbholder assembly	
13	LMP105	Body - rubber	
TRAVELLER - 803cc AND 948cc			
14	LMP110	Lamp assembly - stop/tail	
15	LMP102	Bezel	
16	LMP111	Lens - red	
17	BLB380	Bulb	
18	LMP112	Bulbholder assembly	
19	LMP113	Body - rubber	
SALOONS AND CONVERTIBLE - 803cc			
20	LMP114	Bezel	
21	LMP115	Lens	
22	LMP116	Seating - rubber - lens	
23	BLB380	Bulb	
24	LMP117	Base - RH	
	LMP118	Base - LH	
25	LMP119	Gasket - base	
26	LMP120	Lamp assembly - RH	
	LMP121	Lamp assembly - LH	
SALOONS AND CONVERTIBLE 948cc			
27	LMP122	Lamp assembly - RH	
	LMP123	Lamp assembly - LH	
28	LMP124	Lens	
29	LMP125	Seating - rubber - lens	
30	BLB380	Bulb	
31	LMP126	Base - RH	
	LMP127	Base - LH	
SALOONS AND CONVERTIBLE - 1098cc			
32	LMP128	Lamp assembly - stop/tail/flasher - RH	
	LMP129	Lamp assembly - stop/tail/flasher - LH	
33	LMP130	Lens	
34	LMP131	Gasket - seating	
35	BLB382	Bulb - flasher	
36	BLB380	Bulb - stop/tail	
37 LMP124 SCREW			

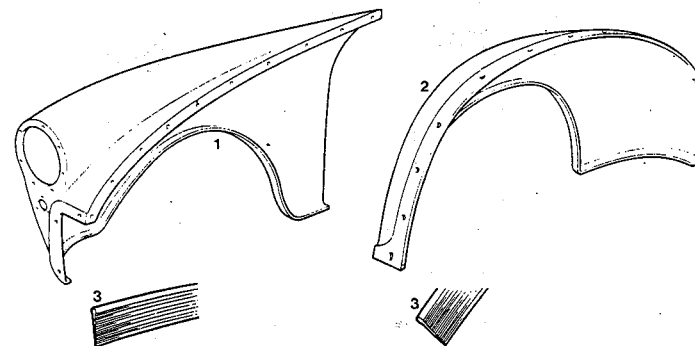
Ill. Part No. Number	Description	Remarks
1 SPD101	Speedometer SN 3205/03	Early 803cc
2 SPD102	Speedometer SN 4401/09	For 5.375:1 diff.
SPD103	Speedometer SN 4477/10	For 5.375:1 diff.
	Speedometer SN 4406/08	Use SPD103
SPD104	Speedometer SN 4451/15	For 4.555:1 diff.
	Speedometer SN 4401/15	Use SPD104
SPD105	Speedometer SN 4466/00	For 4.555:1 diff.
SPD106	Speedometer SN 4477/00	For 4.555:1 diff.
	Speedometer SN 4407/00	Use SPD106
SPD107	Speedometer SN 4477/30	
SPD108	Speedometer SN 4419/04	For 4.875:1 diff.
SPD109	Speedometer SN 4423/06	
3 SPD110	Cable assembly	For use with SPD101
SPD111	Cable assembly	Late 803cc on
4 SPD112	Gauge - fuel	Early type - bronze
SPD113	Gauge - fuel	Late type - black
5 SPD114	Stabilizer - voltage	Fitted up to introd. of SPD115
	SPD115	Stabilizer - voltage 1203563 on
6 SPD116	Strap	
7 SPD117	Bulb holder - panel illumination	
SPD118	Bulb holder - oil and ignition warning lights	
SPD119	Bulb holder - headlamp beam	
8 BLB987	Bulb	

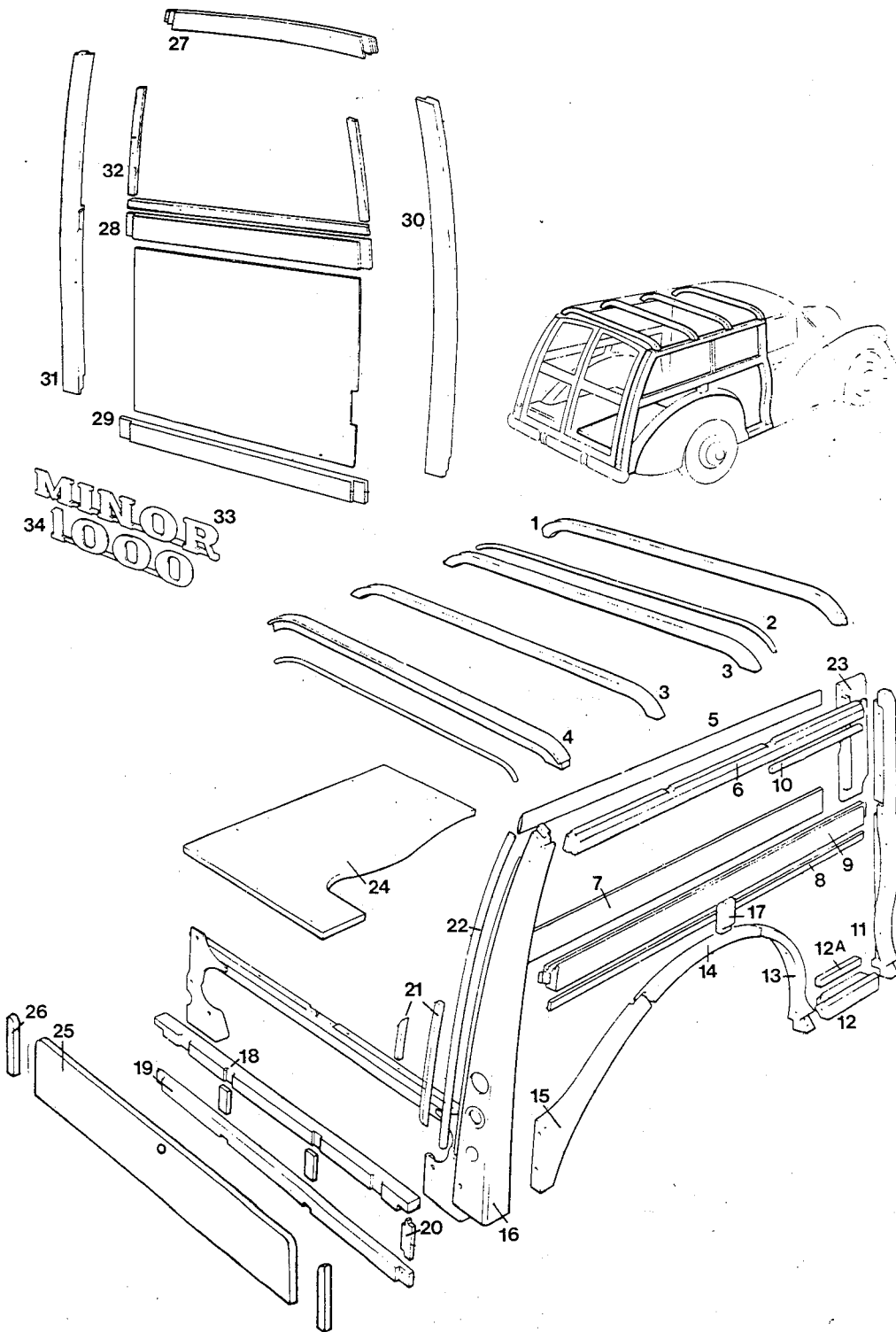


Ill. Part No. Number	Description	Remarks
1 GCP101	Cover - gearbox	803cc
2 GCP102	Cover - gearbox	948cc and 1098cc
3 GCP103	Plate - master cylinder cover	
4 GCP104	Gaiter - gear shift	803cc
5 GCP105	Gaiter - gear shift	948cc and 1098cc
6 GCP106	Plate - gaiter retaining	
7 GCP107	Screw - cover to floor	



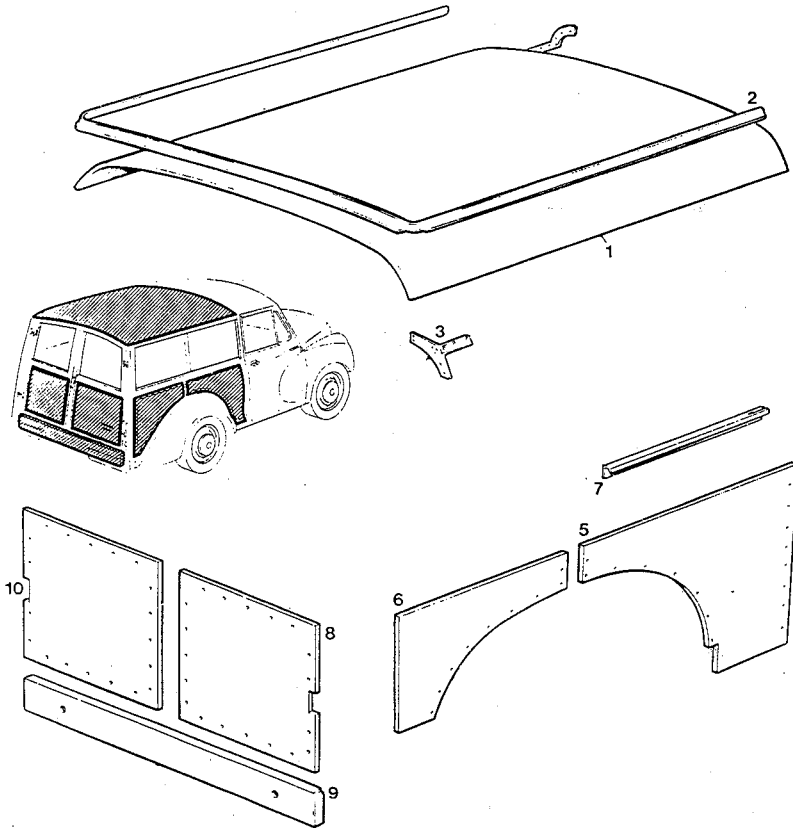
Ill. Part No. Number	Description	Remarks
1 PAN124	Wing - front RH	1098cc
PAN125	Wing - front LH	
2 PAN128	Wing - rear RH	1098cc
PAN129	Wing - rear LH	
PAN130	Wing - rear RH	Traveller
PAN131	Wing - rear LH	
3 TRM101	Piping - wing - black	
* PAN801	Bolt - wing fixing	Not Traveller rear



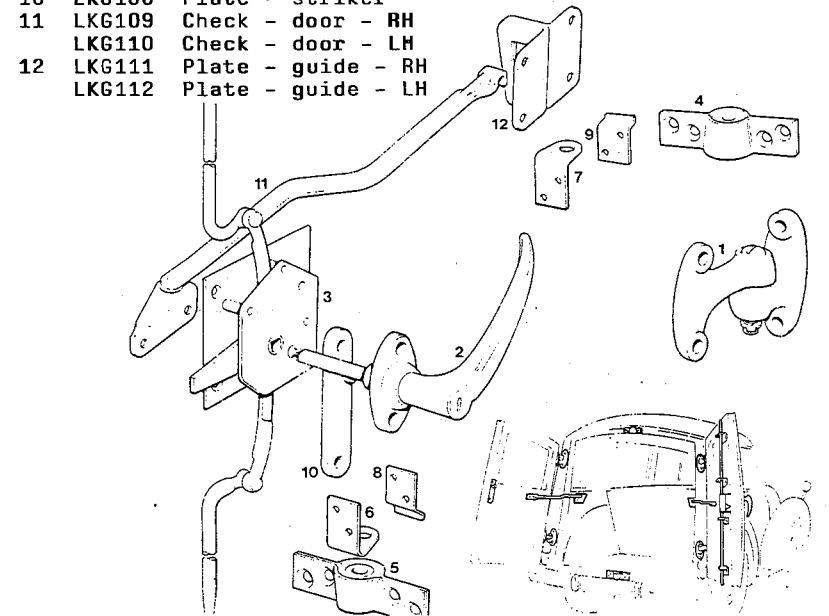


Ill. No.	Part Number	Description	Remarks
1	MMT1001	Rail - top - roof - front	
2	MMT1002	Strip - roof - packing	
3	MMT1002	Strip - roof	
4	MMT1004	Rail - top - roof - rear	
5	MMT1005	Capping for cant rail RH	
	MMT1006	Capping for cant rail LH	
6	MMT1007	Rail - cant RH	
	MMT1008	Rail - cant LH	
7	MMT1009	Capping for waist rail RH	
	MMT1010	Capping for waist rail LH	
8	MMT1011	Waist rail fillet RH & LH	
9	MMT1012	Rail - waist RH	
	MMT1013	Rail - waist LH	
10	MMT1014	Cant rail fillet RH & LH	
11	MMT1015	Post - front RH	
	MMT1016	Post - front LH	
12	MMT1017	Rail - sill RH	
	MMT1018	Rail - sill LH	
12A	MMT1019	Sill rail fillet - RH & LH	
13	MMT1020	Former - wheel arch - front RH	
	MMT1021	Former - wheel arch - front LH	
14	MMT1022	Former - wheel arch - top RH	
	MMT1023	Former - wheel arch - top LH	
15	MMT1024	Former - wheel arch - rear RH	
	MMT1025	Former - wheel arch - rear LH	
16	MMT1026	Post - rear - corner RH	1098cc
	MMT1027	Post - rear - corner LH	
	MMT1051	Post - rear - corner RH	803cc and 948cc
	MMT1052	Post - rear - corner LH	
17	MMT1028	Wheel arch to waist rail section RH & LH	
18	MMT1029	Rail - rear body bottom (top portion)	
19	MMT1030	Rail - rear body bottom (bottom portion)	
20	MMT1031	Blocks for bottom rail (set)	
21	MMT1032	Corner post fillet RH	
	MMT1033	Corner post fillet LH	
22	EXT1001	Rubber extrusion	
23	MMT1034	Front post capping RH	
	MMT1035	Front post capping LH	
24	MMT1036	Floorboard assembly rear RH	
	MMT1037	Floorboard assembly rear LH	
25	MMT1038	Spare wheel compartment cover	
26	MMT1039	Fillet for spare wheel compartment cover	
27	MMT1040	Rail - rear door - top RH	
	MMT1041	Rail - rear door - top LH	
28	MMT1042	Rail - rear door - waist RH	
	MMT1043	Rail - rear door - waist LH	
29	MMT1044	Rail - rear door - bottom RH	
	MMT1045	Rail - rear door - bottom LH	
30	MMT1046	Pillar - rear door - hinge RH	
	MMT1047	Pillar - rear door - hinge LH	
31	MMT1048	Pillar - rear door - shut RH	
	MMT1049	Pillar - rear door - shut LH	
32	MMT1050	Fillet for glass RH & LH	
**	MMT1053	Frame - assembled - RH	
	MMT1054	Frame - assembled - LH	
**	MMT1055	Door - assembled - RH	
	MMT1056	Door - assembled - LH	
33	LOG1001	Motif "MINOR"	
34	LOG1002	Motif "1000"	

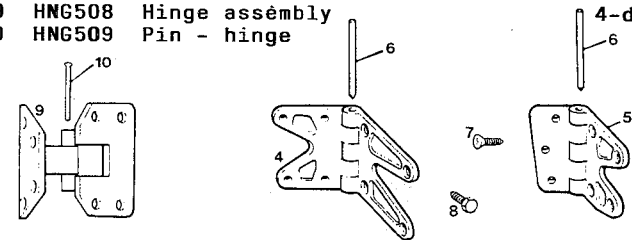
Ill. Part No. Number	Description	Remarks
1	ALY101 Panel - roof	
2	ALY102 Moulding - drip	
3	ALY103 Bracket - corner - rear RH	
	ALY104 Bracket - corner - rear LH	
4	ALY105 Bracket - corner - front RH	
	ALY106 Bracket - corner - front LH	
5	ALY107 Panel - body side - front RH	
	ALY108 Panel - body side - front LH	
6	ALY109 Panel - body side - rear RH	
	ALY110 Panel - body side - rear LH	
7	ALY111 Fillet - waist rail capping RH	State type of locking device fitted to window
	ALY112 Fillet - waist rail capping LH	
8	ALY113 Panel - door - RH	
9	CHS272 Valance - rear	
10	ALY114 Panel - door - LH	

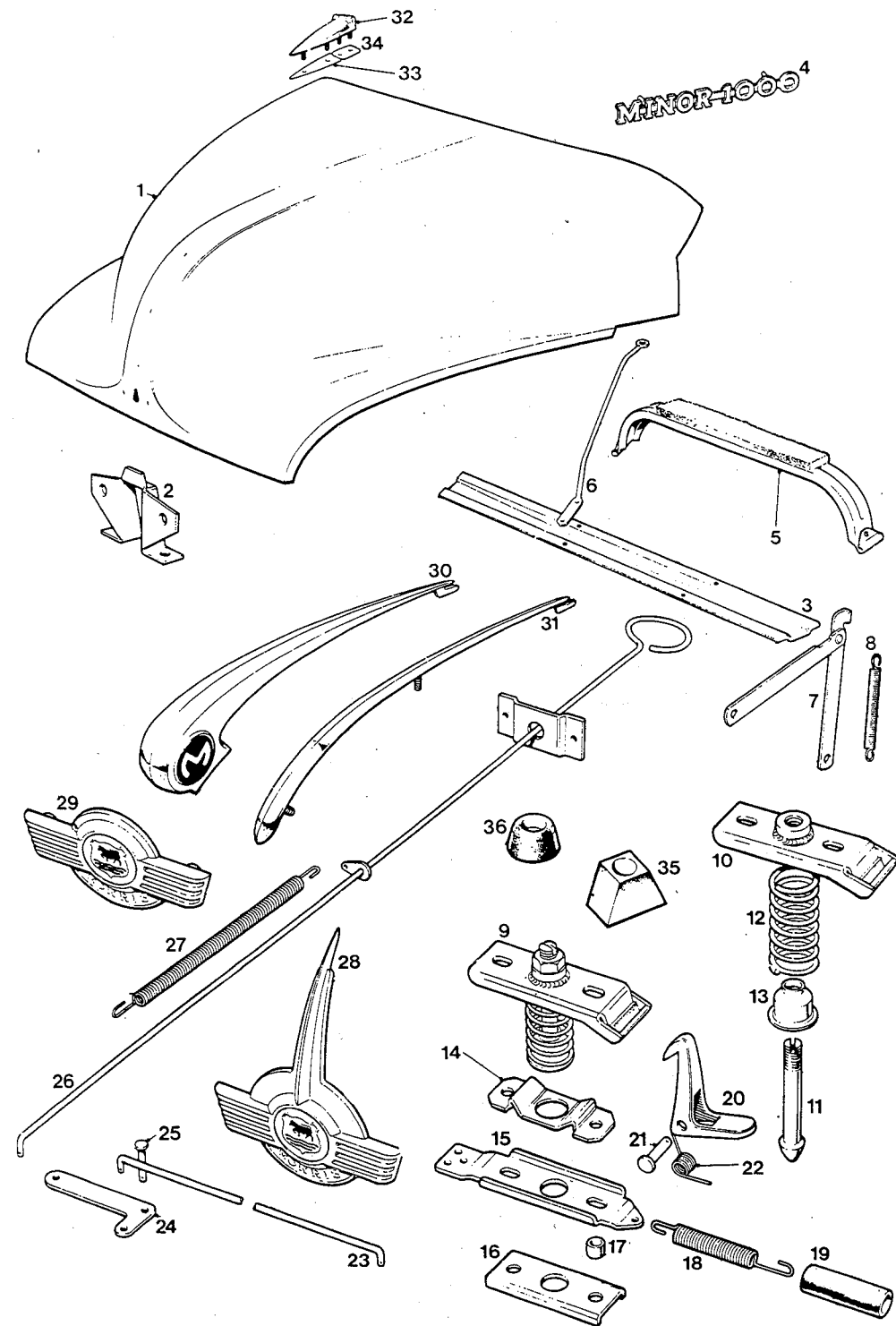


Ill. Part No. Number	Description	Remarks
1	HNG101 Hinge assembly - top RH	
	HNG102 Hinge assembly - top LH	
	HNG103 Hinge assembly - bottom RH	
	HNG104 Hinge assembly - bottom LH	
2	LKG101 Handle assembly - locking	
3	LKG102 Device - locking	
4	LKG103 Socket - locking rod - upper	
5	LKG103 Socket - locking rod - lower	
6	LKG104 Plate - locking rod guide - upper and lower	
7	LKG105 Plate - locking rod guide - centre	
8	LKG106 Spring - anti-rattle - upper and lower	
9	LKG107 Spring - anti-rattle - centre	
10	LKG108 Plate - striker	
11	LKG109 Check - door - RH	
	LKG110 Check - door - LH	
12	LKG111 Plate - guide - RH	
	LKG112 Plate - guide - LH	



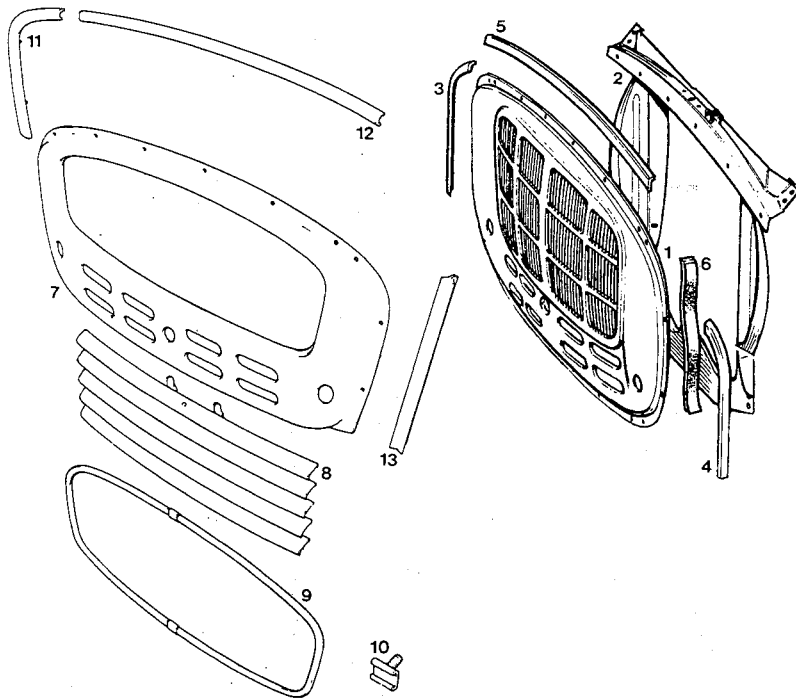
Ill. Part No. Number	Description	Remarks
4	HNG501 Hinge - upper - RH	All models
	HNG502 Hinge - upper - LH	
5	HNG503 Hinge - lower - RH	
	HNG504 Hinge - lower - LH	
6	HNG505 Pin - hinge	
7	HNG506 Screw	
8	HNG507 Bolt	
9	HNG508 Hinge assembly	
10	HNG509 Pin - hinge	4-door saloon



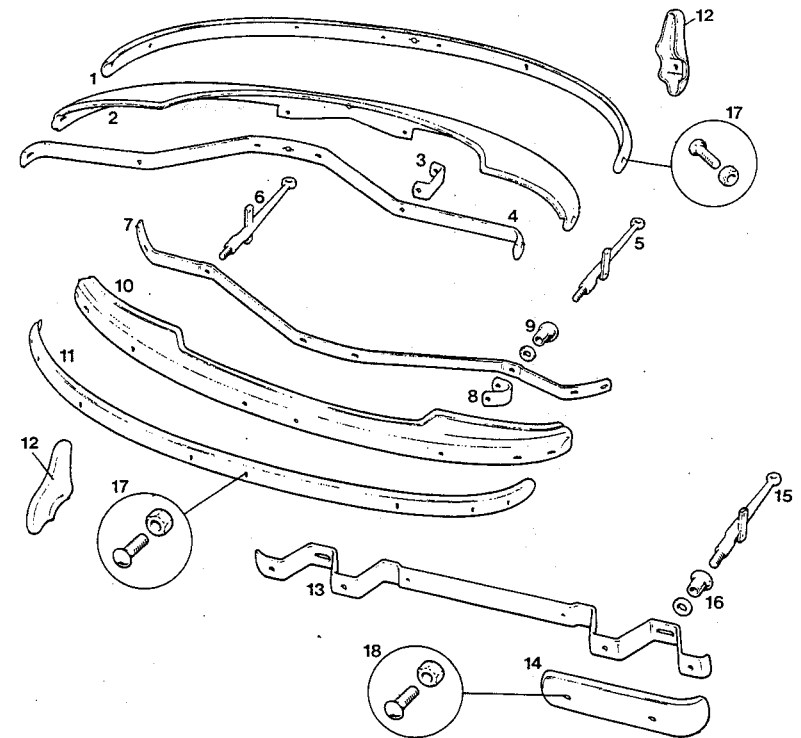


Ill. No.	Part Number	Description	Remarks
1	PAN139	Bonnet	
	PAN803	Bonnet	803cc
2	BPF101	Bracket - lock - upper	
3	BPF102	Cross-member	
4	LOG1003	Nameplate - "Minor-1000"	
	LOG1004	Nameplate - "Morris-Minor"	803cc
5	BPF103	Strip - anti-drum	
6	BPF104	Rod - stiffener - RH	
	BPF105	Rod - stiffener - LH	
7	BPF106	Prop - bonnet	
8	BPF107	Spring - bonnet prop	
9	BPF108	Pin - assembly - striker	
10	BPF109	Bracket	
11	BPF110	Pin	
12	BPF111	Spring	
13	BPF112	Cup	
14	BPF113	Plate - slider guide	
15	BPF114	Slider	
16	BPF115	Support - slide - lock	
17	BPF116	Tube - distance - slider	
18	BPF117	Spring - slider - tension	
19	BPF118	Sleeve - slider tension spring	
20	BPF119	Catch - safety	
21	BPF120	Pin - safety catch	
22	BPF121	Spring - safety catch	
23	BPF122	Rod - lever to slider	
24	BPF123	Lever	
25	BPF124	Pin - lever pivot	
26	BPF125	Rod - lock control	
27	BPF126	Spring - anti-rattle	
28	BPF127	Motif	
29	BPF128	Motif	
30	BPF129	Flash	
31	BPF130	Flash	
32	BPF131	Hinge - RH	
	BPF132	Hinge - LH	
33	BPF133	Washer - hinge to bonnet	
34	BPF134	Washer - hinge to body	
35	BPF135	Buffer - bonnet	
36	BPF136	Buffer - dash	

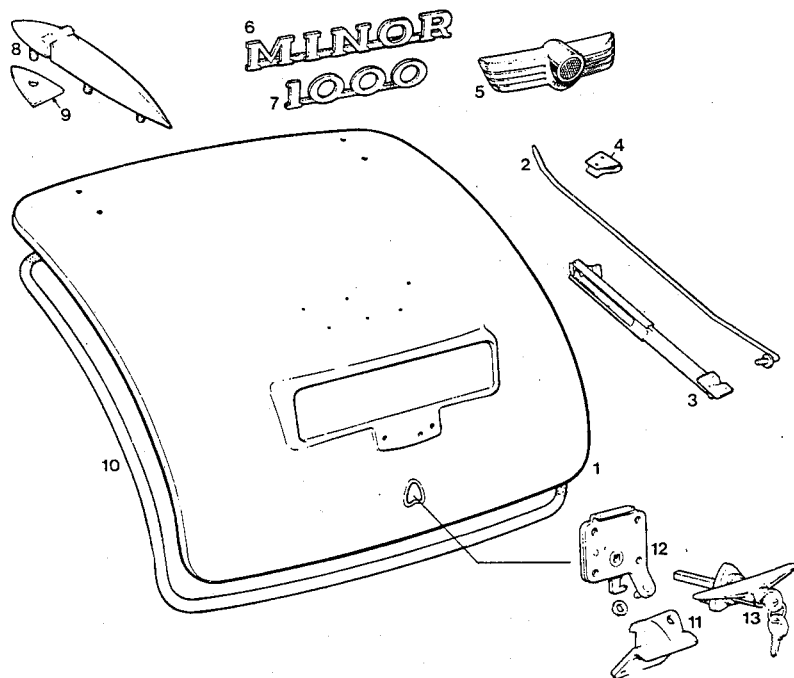
Ill. Part No. Number	Description	Remarks	
1	PAN140	Grille - radiator	
2	PAN141	Cowl assembly	
3	RGF101	'Hockey stick' - RH	For use with PAN140
4	RGF102	'Hockey stick' - LH	
5	RGF103	Surround - top	
6	RGF104	Sealing strip - rubber	
7	PAN142	Surround - grille	
8	PAN143	Grille	
9	RGF105	Finisher - grille	
10	RGF106	Captive	
11	RGF107	'Hockey stick' - RH	
	RGF108	'Hockey stick' - LH	
12	RGF103	Surround - top	
13	RGF104	Sealing strip - rubber	



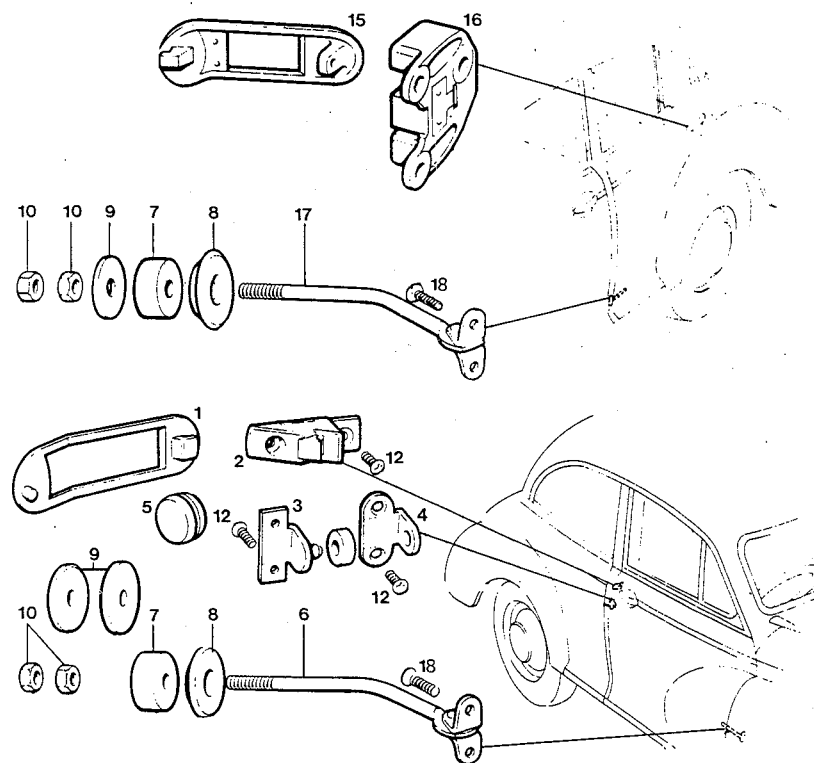
Ill. Part No. Number	Description	Remarks	
1	PAN101	Bumper blade - chrome - front	
2	PAN102	Valance - front	
3	PAN103	Spring - over-rider support	
4	PAN104	Bar - mounting - front	
5	PAN105	Stud - mounting - rear RH	
6	PAN106	Stud - mounting - rear LH	
7	PAN107	Bar - mounting - rear	
8	PAN108	Spring - over-rider support	
9	PAN109	Ferrule	
10	PAN110	Valance - rear	
11	PAN111	Bumper blade - chrome - rear	
12	PAN112	Over-rider	
13	PAN113	Bar - mounting - rear	
14	PAN114	Blade - rear	
15	PAN115	Stud - mounting - rear RH	Traveller
	PAN116	Stud - mounting - rear LH	
16	PAN117	Ferrule	
17	PAN118	Bolt - chrome - and nut	
18	PAN119	Bolt - chrome - and nut	



Ill. Part No.	Part Number	Description	Remarks
1	PAN145	Lid - boot	803cc
	PAN146	Lid - boot	948cc
	PAN147	Lid - boot	1098cc
2	BLF101	Stay - rod	
3	BLF102	Stay - telescopic	
4	BLF103	Clip	
5	BLF104	Flash	
6	LOG1001	Motif "MINOR"	
7	LOG1002	Motif "1000"	
8	BLF105	Hinge - boot-lid - RH	
	BLF106	Hinge - boot-lid - LH	
9	BLF107	Gasket - hinge to body	
10	BLF108	Rubber - lid sealing	
11	BLF109	Plate - lock striker	
12	BLF110	Lock	
13	BLF111	Handle - boot locking	

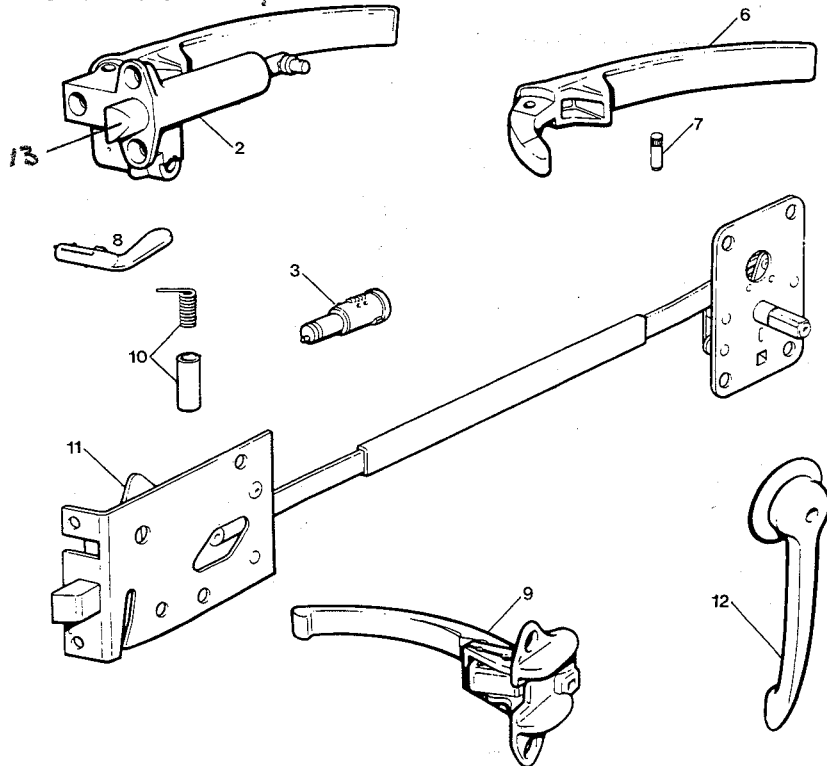


Ill. Part No.	Part Number	Description	Remarks
1	DCH101	Escutcheon	2-door saloon, Conv. Traveller
2	DCH102	Plate - striker	4-door saloon
	DCH112	Plate - striker	
3	DCH103	Plate - pin - dovetail	
4	DCH104	Plate - socket	
5	DCH105	Ferrule - blanking	
6	DCH106	Arm - door check - RH	
	DCH107	Arm - door check - LH	
7	DCH108	Buffer	
8	DCH109	Grommet - rubber	
9	DCH110	Washer	
10	DCH110	Nut	
12	DCH113	Screw	
15	DCH114	Escutcheon - door - front - RH	4-door saloon
	DCH115	Escutcheon - door - front - LH	
	DCH116	Escutcheon - door - rear - RH	
	DCH117	Escutcheon - door - rear - LH	
14	DCH118	Plate - socket	
16	DCH119	Plate - striker and dovetail - RH	
	DCH120	Plate - striker and dovetail - LH	
17	DCH121	Arm - door check - rear	
18	DCH122	Screw	

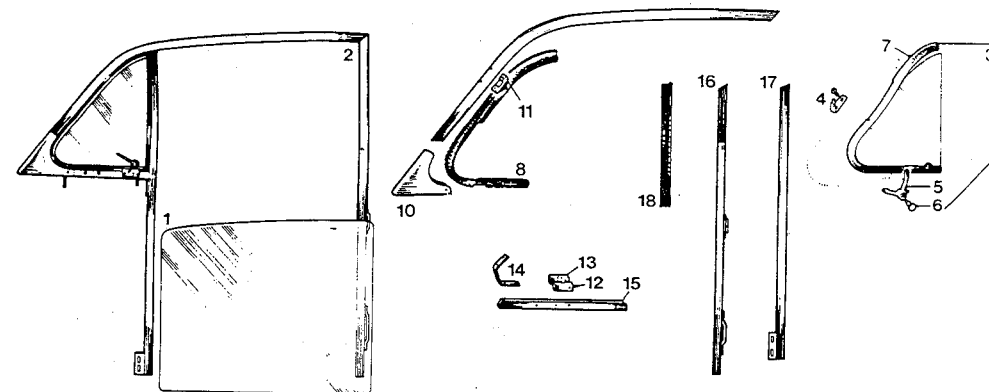


Ill. Part No.	Part Number	Description	Remarks
2	DLK101	Handle assembly - locking - RH	2-door saloon, Conv. and Traveller
	DLK102	Handle assembly - non-lock. LH	
	DLK103	Handle assembly - locking - LH	
3	DLK104	Barrel assembly - locking	
6	DLK105	Handle - RH	
	DLK106	Handle - LH	
7	DLK107	Pin - outer handle	
8	DLK108	Catch - locking - left hand door	
	DLK109	Catch - locking - right hand door	
11	DLK119	Lock assembly - RH	
	DLK120	Lock assembly - LH	
9	DLK110	Handle assembly - locking - RH	4-door saloon - front
	DLK111	Handle assembly - LH	
10	DLK112	Spring and barrel	
11	DLK115	Lock assembly - RH	
	DLK116	Lock assembly - LH	
	DLK113	Handle assembly - RH	4-door saloon - rear
	DLK114	Handle assembly - LH	
11	DLK117	Lock assembly - RH	
	DLK118	Lock assembly - LH	
12	DLK121	Handle - remote control	All models

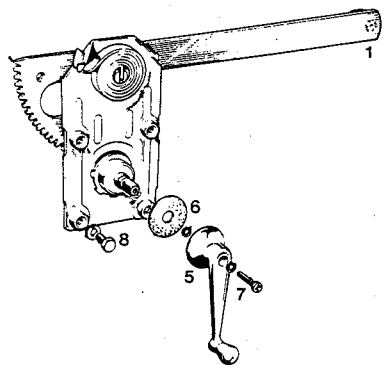
13 DLK123 Plunge bolt



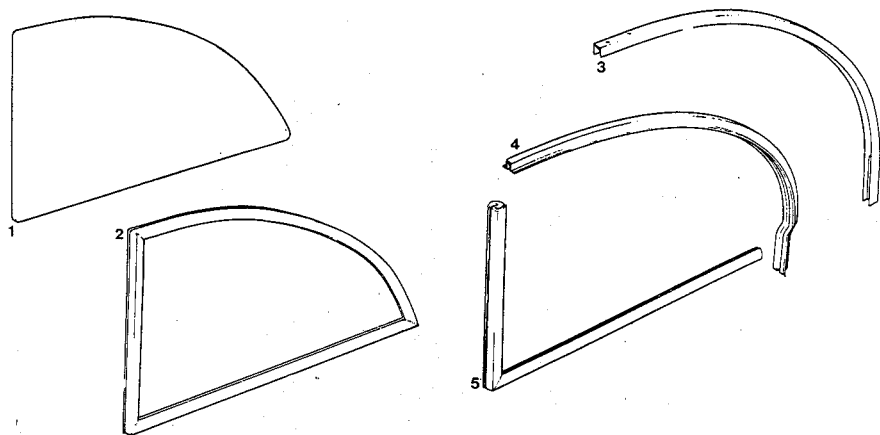
Ill. Part No.	Part Number	Description	Remarks
1	VNT101	Glass - door front	4-door
	VNT163	Glass	2-door, Conv. Trav.
2	VNT102	Ventilator anc channel assy.	RH 4-door
	VNT103	-	LH -
	VNT143	-	RH Convertible
	VNT144	-	LH -
3	VNT104	Ventilator assembly	RH 4-door, Convertible
	VNT105	-	LH -
	VNT152	Ventilator assembly	RH 2-door
	VNT153	-	LH -
4	VNT106	Hinge - lower	RH -
	VNT107	-	LH -
5	VNT108	Fastener	RH -
	VNT109	-	LH -
6	VNT110	Pin	
7	VNT111	Strip - glazing	
8	VNT112	Excluder - draught	RH -
	VNT113	-	LH -
9	VNT114	Channel - outer	RH 4-door saloon
	VNT115	-	LH -
	VNT154	Channel - outer	RH 2-door
	VNT155	-	LH -
	VNT145	Channel - outer	RH Traveller, Convertible
	VNT146	-	LH -
10	VNT116	Capping - corner	4-door, Conv. Trav.
	VNT156	Capping - corner	2-door
11	VNT117	Hinge - ventilator - upper	RH -
	VNT118	-	LH -
12	VNT119	Block - lower bearing - inner	
13	VNT120	Block - lower bearing - outer	
14	VNT121	Bracket - corner	
15	VNT122	Channel - lower	RH 4-door, Conv. Trav.
	VNT123	-	LH -
	VNT157	Channel - lower	RH 2-door
	VNT158	-	LH -
16	VNT124	Channel - vertical - rear	RH 4-door, Conv. Trav.
	VNT125	-	LH -
	VNT159	Channel - vertical - rear	RH 2-door
	VNT160	-	LH -
17	VNT126	Channel - vertical - front	RH 4-door, Conv. Trav.
	VNT127	-	LH -
	VNT161	Channel - vertical - front	RH 2-door
	VNT162	-	LH -
18	VNT128	Rubber - sealing	9



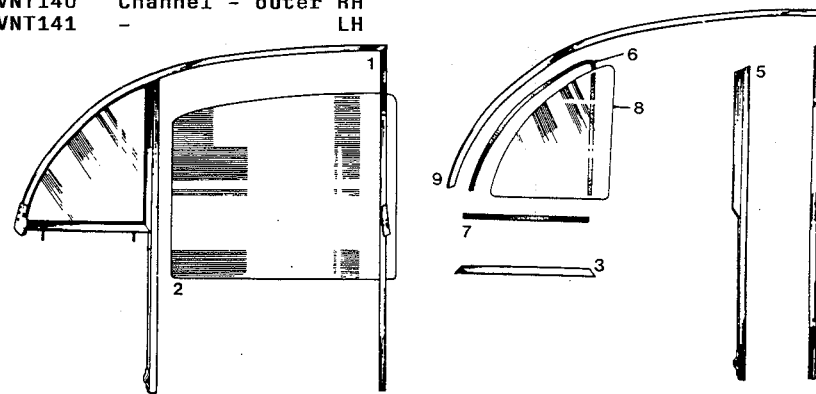
Ill. Part No. Number	Description	Remarks
1	WWM101 Regulator - window - RH	All models
	WWM102 Regulator - window - LH	
	WWM103 Regulator - window - rear - RH	4-door saloon
	WWM104 Regulator - window - rear - LH	
5	WWM105 Handle - regulator	
6	WWM106 Washer - fibre	
7	WWM107 Screw - handle to regulator	
8	WWM108 Bolt - regulator to door	



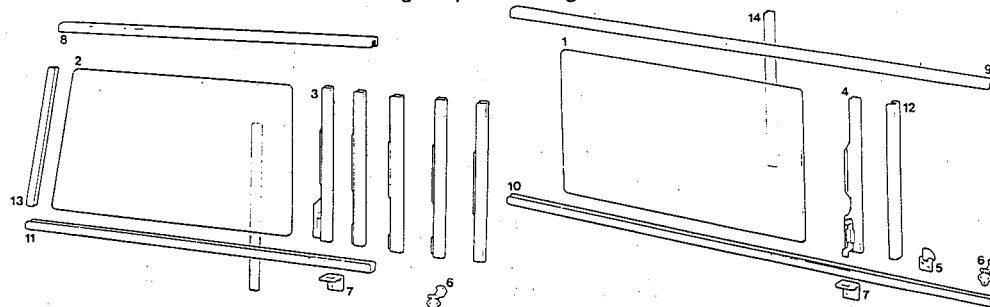
Ill. Part No. Number	Description	Remarks
1	VNT800 Glass - side window	
2	VNT801 Channel - rubber - RH	2-door saloon
	VNT802 Channel - rubber - LH	
3	VNT803 Channel - RH	Convertible
	VNT804 Channel - LH	
4	VNT805 Channel - upper - rubber	
5	VNT806 Channel - rubber - RH	
	VNT807 Channel - rubber - LH	



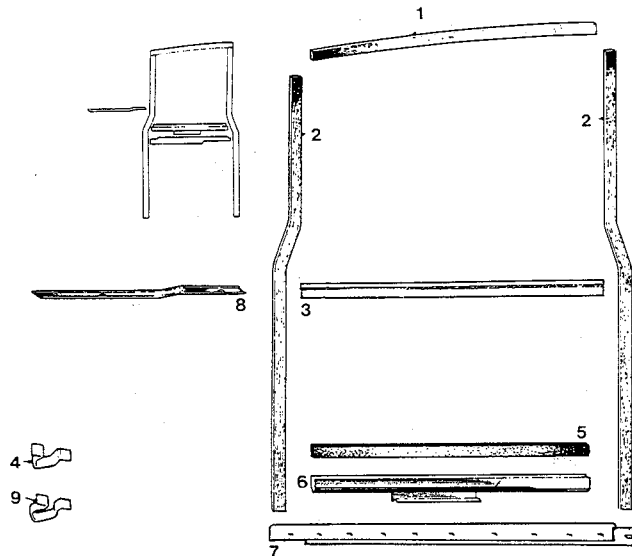
Ill. Part No. Number	Description	Remarks
1	VNT129 Channel assembly - rear RH	4-door saloon
	VNT130 - LH	
2	VNT131 Glass	
3	VNT132 Channel - lower RH	
	VNT133 - LH	
4	VNT134 Channel - front - vertical RH	
	VNT135 - LH	
5	VNT136 Channel - rear - vertical	
6	VNT137 Channel - quarter light - upper (rubber)	
7	VNT138 Channel - quarter light - lower (rubber)	
8	VNT139 Glass - quarter light	
9	VNT140 Channel - outer RH	
	VNT141 - LH	



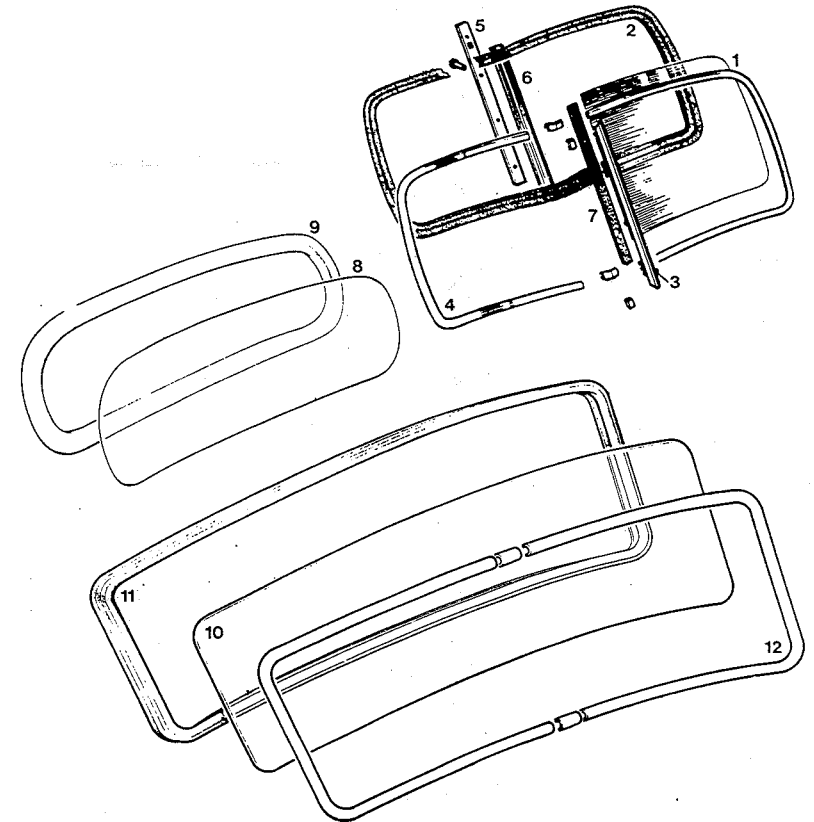
Ill. Part No. Number	Description	Remarks
1	GLS112 Glass - body side - front	Traveller
2	GLS113 Glass - body side - rear	
3	GLS114 Finger pull and catch RH	
4	GLS115 Finger pull and catch LH	
5	GLS116 Catch	
6	GLS117 Catch	
7	GLS118 Bracket - catch	
8	GLS119 Channel - top - inner	
9	GLS120 Channel - top - outer	
10	GLS121 Channel - bottom - outer	
11	GLS122 Channel - bottom - inner	
12	GLS123 Channel - vertical - front post	
13	GLS124 Channel - vertical - rear post	
14	GLS125 Seal - finger pull to glass	



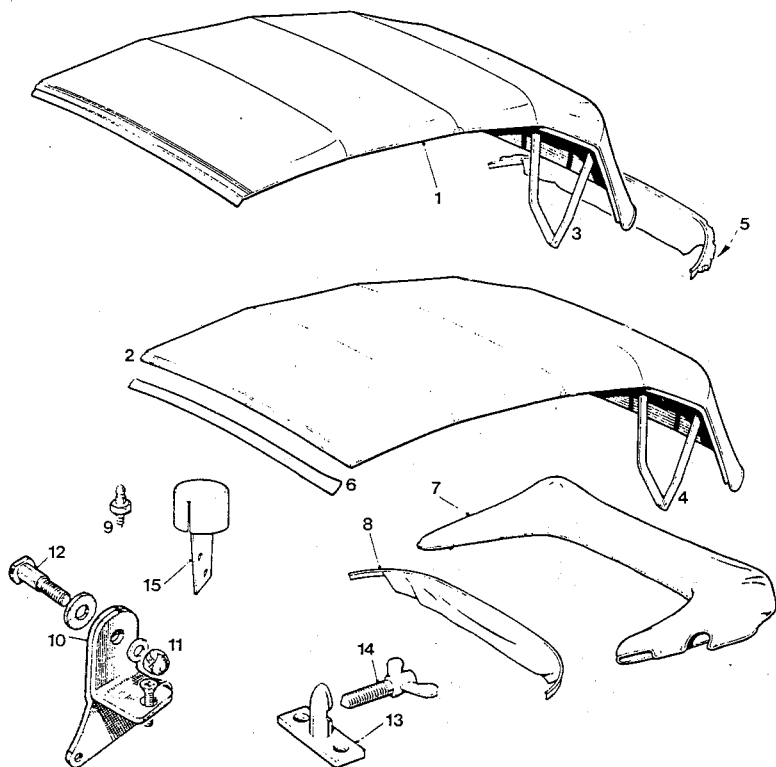
Ill. Part No. Number	Description	Remarks
1 EXC103	Channel - velvet covered rubber - top	
2 EXC104	Channel - velvet covered rubber - front and rear	
3 EXC105	Weatherstrip - inner and outer	
4 EXC106	Clip - weatherstrip	
5 EXC107	Strip - glazing - door glass	
6 EXC108	Channel - regulator RH	
EXC109	Channel - regulator LH	
7 EXC110	Strip - sealing - door bottom	
8 EXC111	Weatherstrip - ventilator	
9 EXC112	Clip - door sealing strip	
1 EXC113	Channel	4-door - front doors
3 EXC114	Weatherstrip	-
6 EXC115	Channel RH	-
EXC116	Channel LH	-
7 EXC117	Strip - door bottom	-
3 EXC118	Weatherstrip	4-door - rear doors
6 EXC119	Channel RH	-
EXC120	Channel LH	-
7 EXC121	Strip - door bottom	-



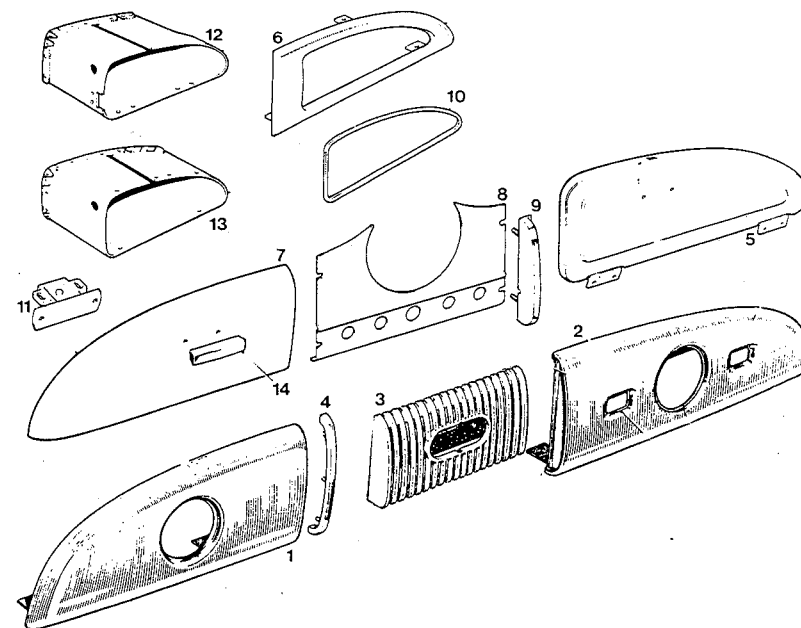
Ill. Part No. Number	Description	Remarks
1 GLS101	Glass - windscreen	803cc
2 EXT101	Rubber - windscreen glass	
3 GLS102	Centre pillar	
4 GLS103	Finisher - outer	
5 GLS104	Finisher - inner	
6 GLS105	Weather strip - inner	
7 GLS106	Weather strip - outer	
8 GLS107	Glass - back light	
9 EXT102	Rubber - back light glass	
8 GLS108	Glass - back light	948cc and 1098cc
9 EXT104	Rubber - back light glass	
10 GLS109	Glass - windscreen	
11 EXT103	Rubber - windscreen glass	For GLS110
12 GLS110	Finisher - outer	
11 EXT105	Rubber - windscreen glass	For GLS111
GLS111	Plastic-chrome insert	For EXT105

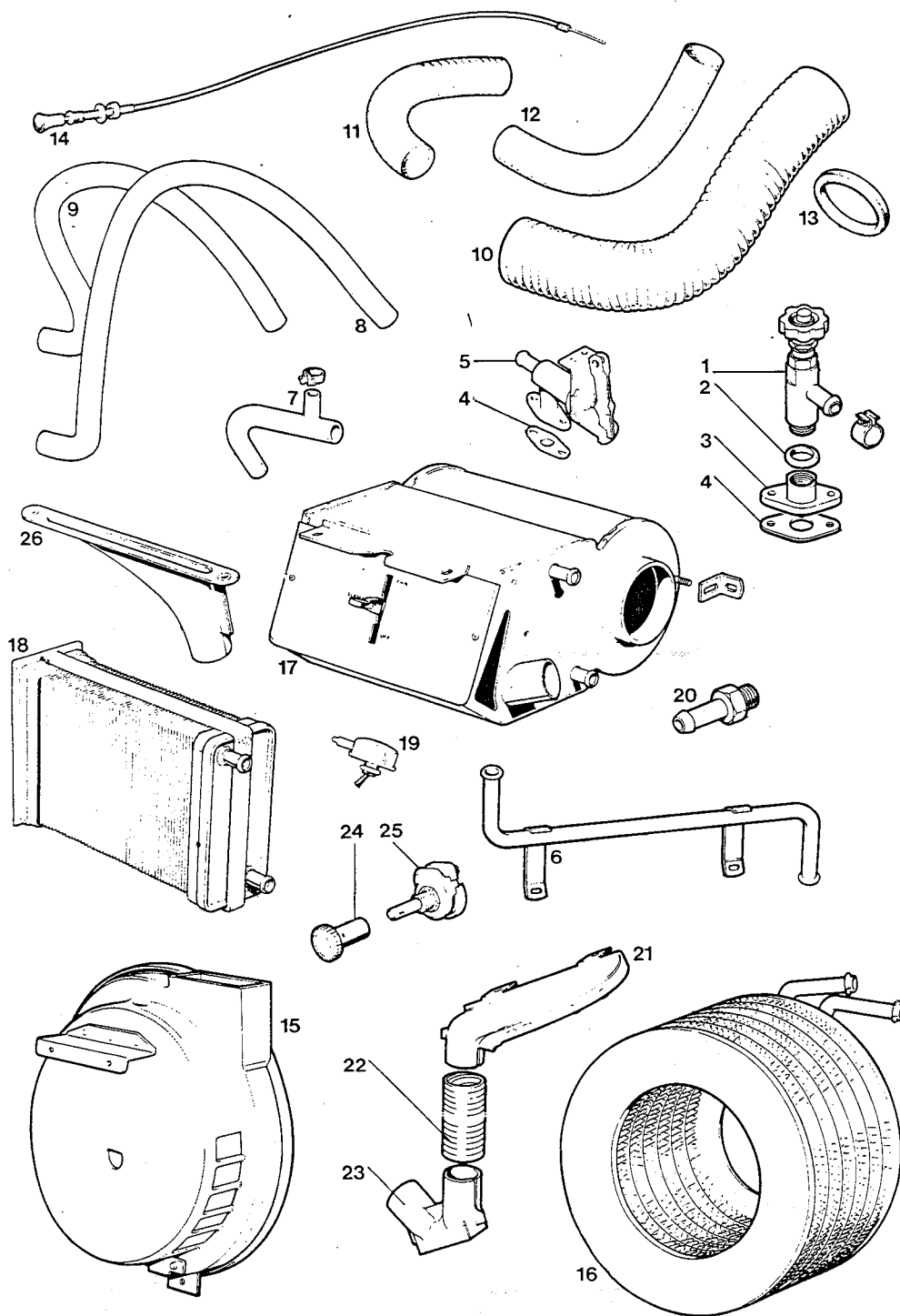


Ill. Part No. Number	Description	Remarks
1	CHF101 Hood - canvas	Split screen
2	CHF102 Hood - canvas	
3	CHF103 Frame - hood	Split screen
4	CHF104 Frame - hood	
5	CHF105 Rail - finishing - timber	
6	CHF106 Stick - front - timber	Split screen
	CHF107 Stick - front - timber	
7	CHF108 Cover - hood	
8	CHF109 Cover - rail	
9	CHF110 Stud - 'lift the dot' type	
10	CHF111 Bracket - support RH	
	CHF112 Bracket - support LH	
11	CHF113 Nut - domed	
12	CHF114 Stud	
13	CHF115 Pin - location	
14	CHF116 Screw - wing	
15	CHF117 Finisher - weatherstrip	
	CHF118 Vinyl hood - various colours	



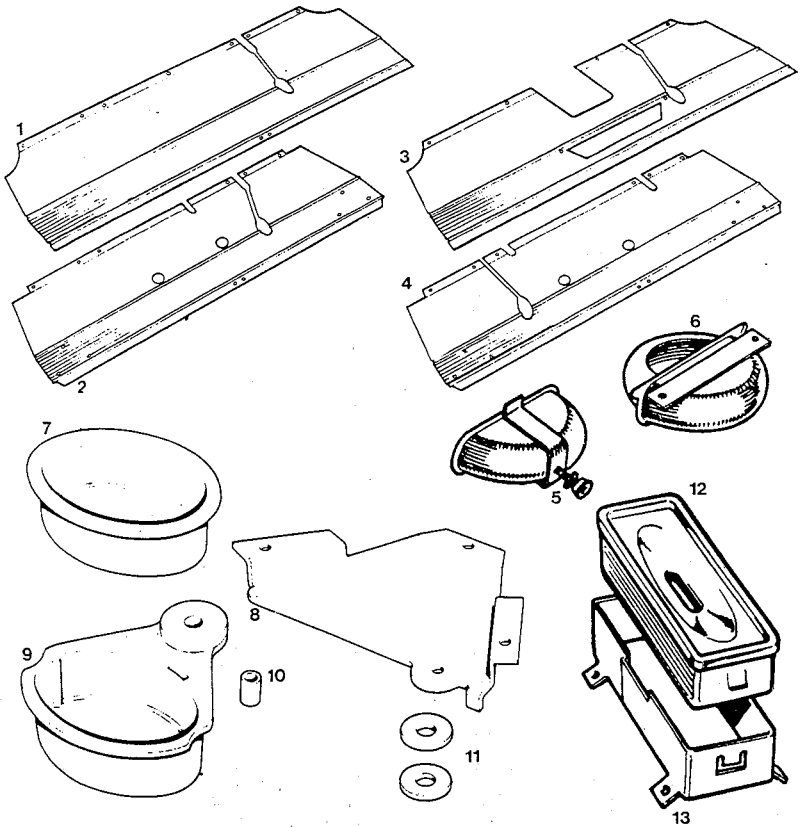
Ill. Part No. Number	Description	Remarks
1	DSH101 Lid - glove box	803cc early
2	DSH102 Panel - instrument	
3	DSH103 Finisher - fascia - centre	
4	DSH104 Finisher - chromium	
5	DSH105 Lid - glove box RH	
	DSH106 Lid - glove box LH	
6	DSH107 Surround - glove box RH	
7	DSH108 Lid - glove box LH	
8	DSH109 Finisher - fascia - centre	
9	DSH110 Finisher - chromium plated	
10	DSH111 Insert - glovebox surround	
11	DSH112 Catch - magnetic	
	DSH113 Glove box RH	803cc
	DSH114 Glove box LH	
12	DSH115 Glove box RH	948cc
	DSH116 Glove box LH	
13	DSH117 Glove box RH	1098cc
	DSH118 Glove box LH	
14	DSH119 Handle - glovebox lid	



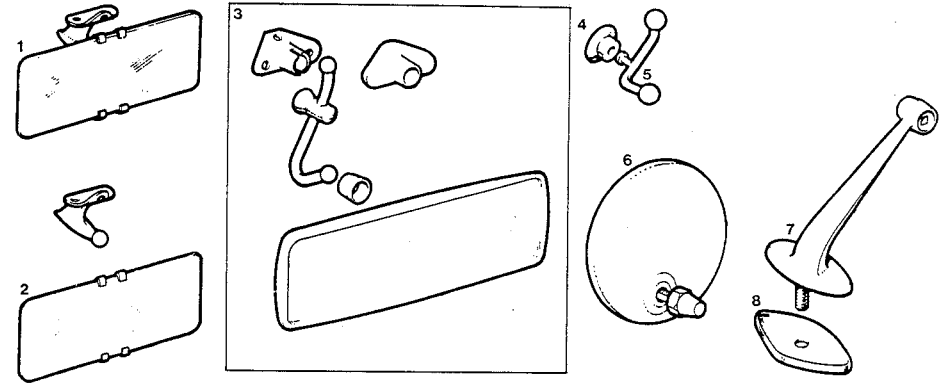


Ill. Part No.	Part Number	Description	Remarks
1	HTR101	Valve - heater	
2	HTR102	Washer	
3	HTR103	Plate - valve	
4	HTR104	Gasket	
5	HTR105	Valve - heater	
6	HTR106	Pipe - outlet	
7	RAD109	Hose - bottom	
8	HTR108	Hose - outlet	
9	HTR109	Hose - inlet	
10	HTR110	Hose - air intake	
11	HTR111	Hose - demister	
12	HTR111	Hose - demister	
13	HTR112	Grommet - air intake through dash	
14	HTR113	Cable - heater valve control	
15	HTR114	Cover - front	
16	HTR115	Radiator	
17	HTR116	Heater assembly	
18	HTR117	Radiator	
19	HTR118	Switch	
20	HTR119	Connector - hose to radiator	
21	HTR120	Duct - demister RH	
	HTR121	Duct - demister LH	
22	HTR122	Hose - demister	
23	HTR123	Adaptor - hose - 2-way	
24	HTR124	Knob	
25	HTR125	Switch	
26	HTR126	Duct - demister - RH	
	HTR127	Duct - demister - LH	

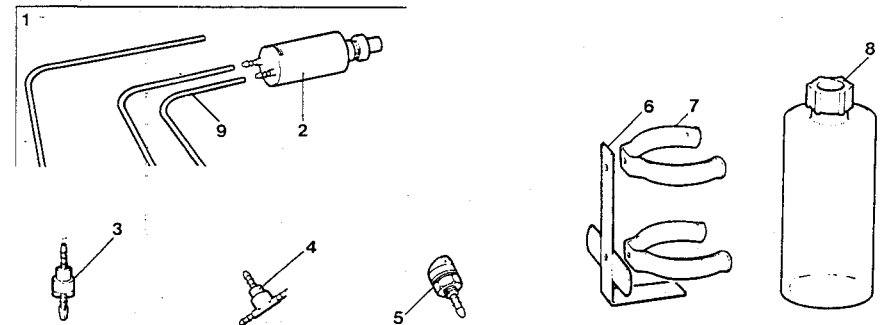
Ill. Part No. Number	Description	Remarks
1 FTS101	Tray - fascia	
2 FTS102	Tray - fascia	
3 FTS103	Tray - fascia	
4 FTS104	Tray - fascia	
5 FTS105	Ashtray	Early 803cc
6 FTS106	Ashtray	Late 803cc and 948cc
7 FTS107	Ashtray	1098cc
8 FTS108	Shield - RH	
FTS109	Shield - LH	
9 FTS110	Case	
10 FTS111	Tube - distance	
11 FTS112	Washer - fibre	
12 FTS113	Ashtray - tunnel	
13 FTS114	Holder - ashtray	



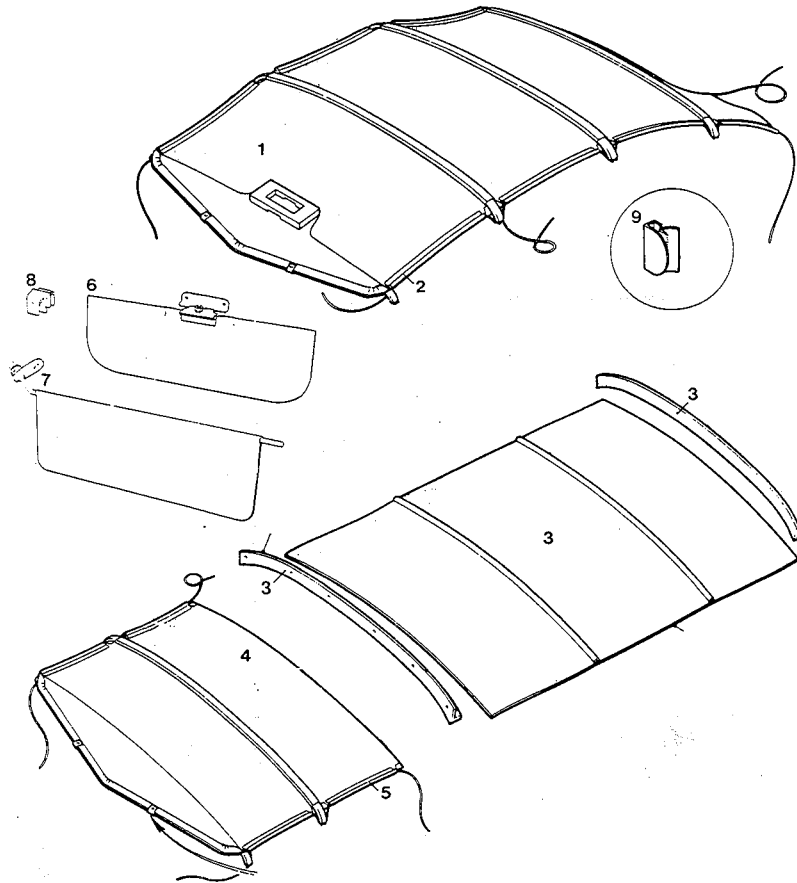
Ill. Part No. Number	Description	Remarks
1 MIR101	Mirror - complete	
2 MIR102	Mirror	
3 MIR103	Mirror assembly - complete	
4 MIR104	Pad - suction	
5 MIR105	Arm	
6 MIR106	Mirror assembly - wing	
7 MIR107	Arm - mirror	
8 MIR108	Washer - rubber	



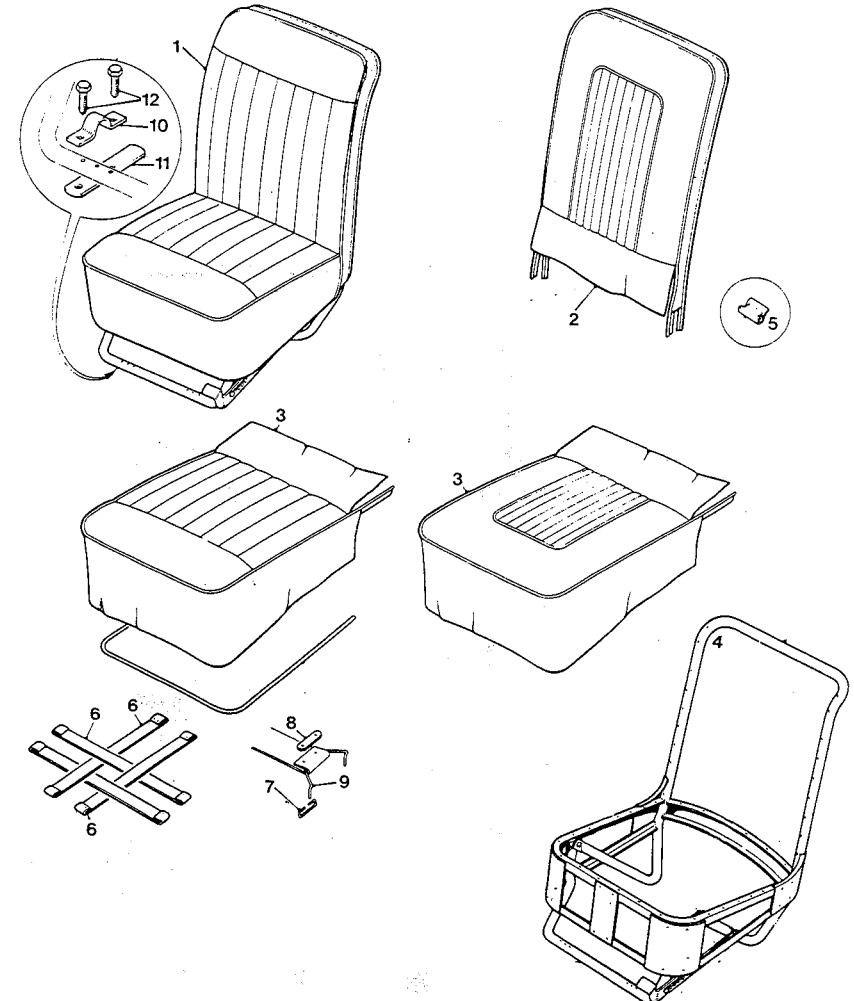
Ill. Part No. Number	Description	Remarks
1 SCW101	Kit - assembly - windscreen washer	
2 SCW102	Pump - washer	
3 SCW103	Valve - bottle end	
4 SCW104	3-way connector	
5 SCW105	Jet	
6 SCW106	Bracket - bottle carrier	
7 SCW107	Clip - spring - bracket	
8 SCW108	Bottle	
9 SCW109	Pipe	



Ill. Part No.	Part Number	Description	Remarks
1	TRM122	Headlining - less frame	2-door and 4-door sal.
2	TRM123	Headlining assembly - complete	
3	TRM124	Headlining - rear	Traveller
4	TRM125	Headlining - front	Traveller
5	TRM126	Headlining assembly - complete	Traveller
6	TRM127	Visor - sun	803cc and 948cc
7	TRM128	Visor - sun	1098cc
8	TRM129	Clip - visor retaining	
9	TRM130	Clip - headlining	

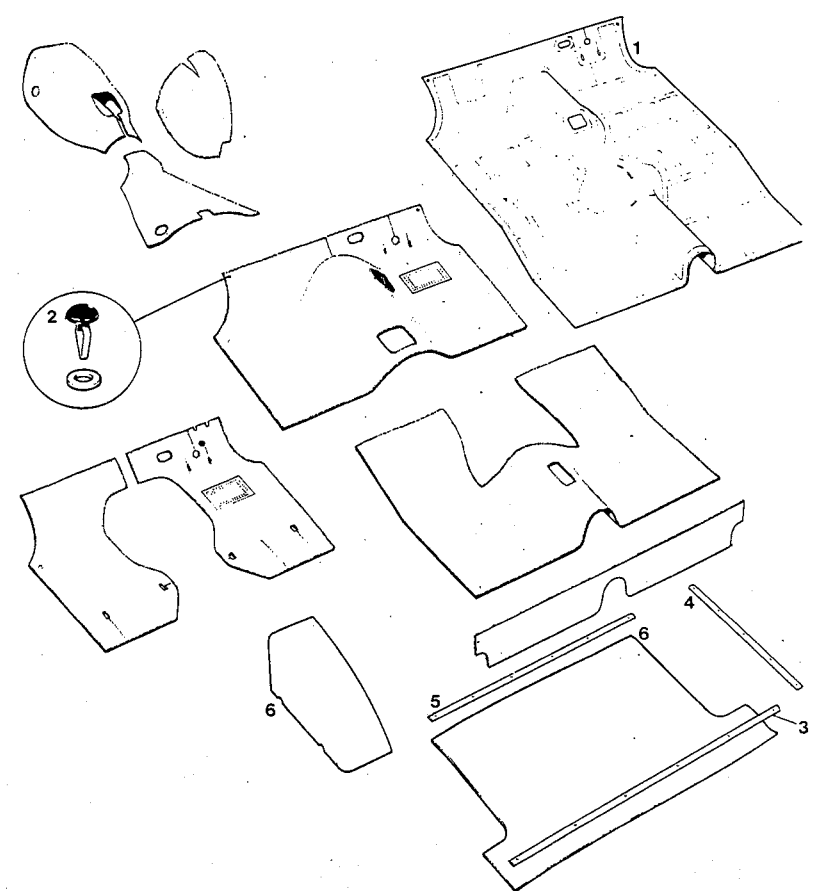
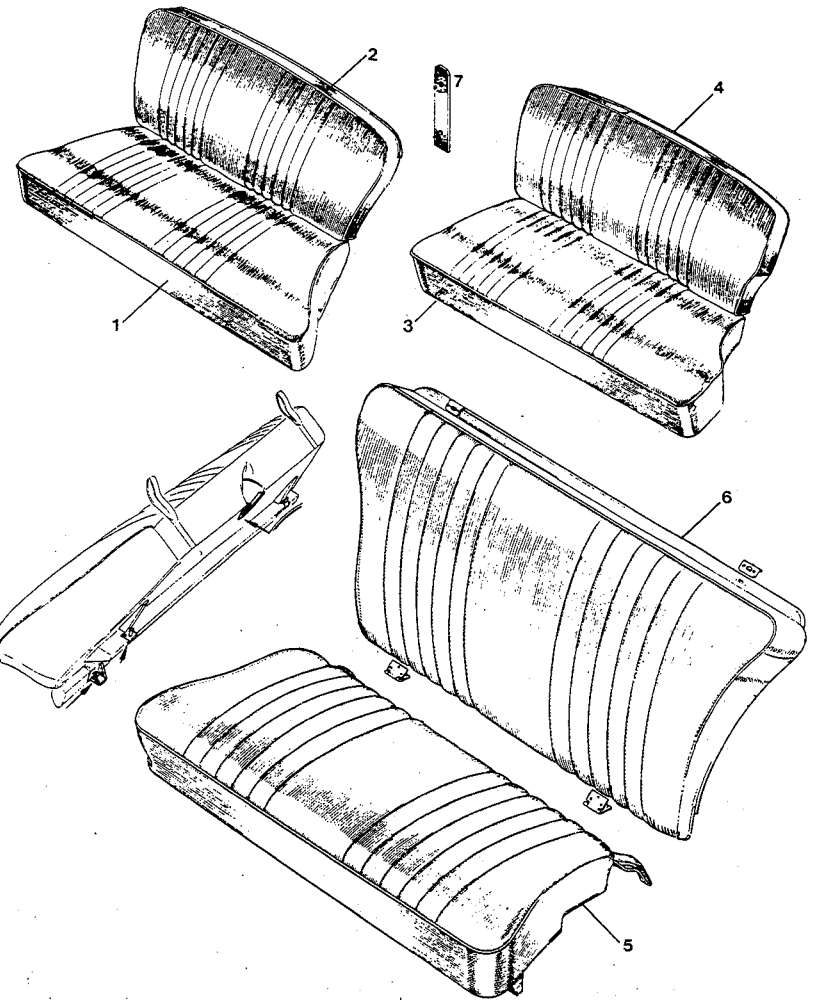


Ill. Part No.	Part Number	Description	Remarks
1		Seat - adjustable - driver's side	
		Seat - non-adjustable - passenger's side	
2		Cover - squab	
3		Cover - cushion	
4		Frame - adjustable - driver's side	
		Frame - non-adjustable - passenger's side	
5	TRM800	Clip - cover to frame	
6	TRM802	Webbing - with plate, staple and clip	
7	TRM803	Staple - strap	
8	TRM804	Plate - backing - staple	
9	TRM805	Clip - strap to frame	
10	TRM806	Slamp - seat leg	
11	TRM807	Piece - packing	
12	TRM808	Bolt - fixing	

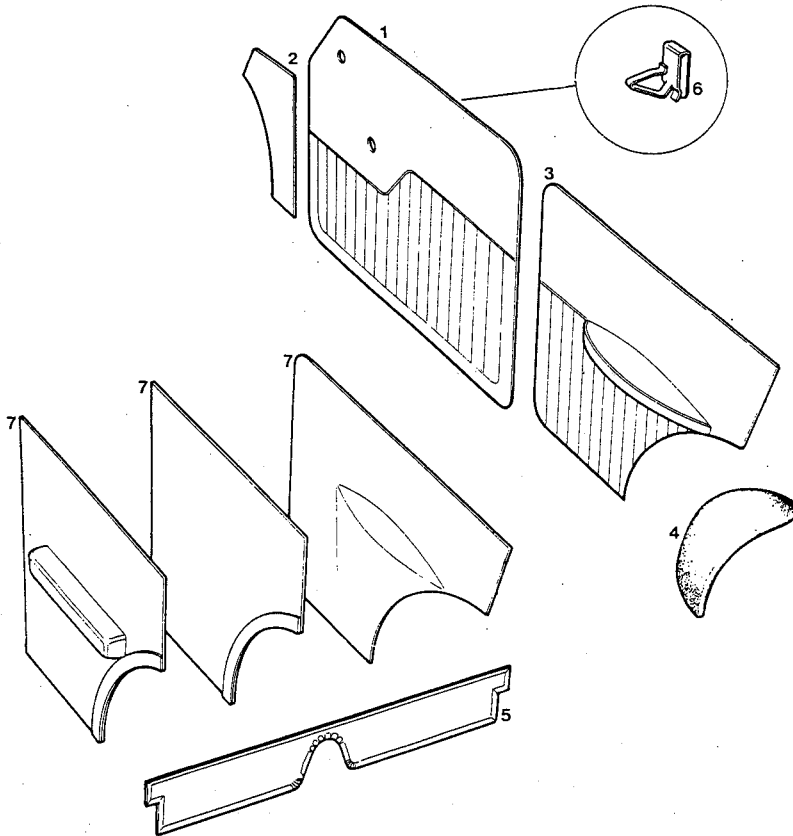


Ill. Part No. Number	Description	Remarks
1	Cushion assembly - rear	2-door sal. and Conv.
2	Squab assembly - rear	
3	Cushion assembly - rear	4-door saloon
4	Squab assembly - rear	
5	Cushion assembly - rear	Traveller
6	Squab assembly - rear	
7 TRM704	Tag - rear squab	

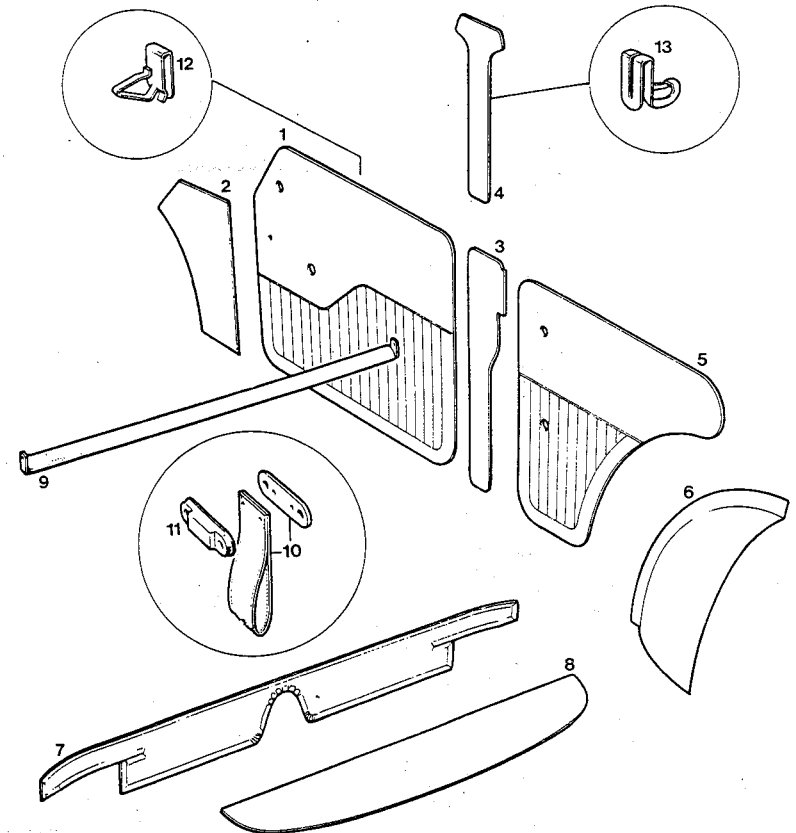
Ill. Part No. Number	Description	Remarks
1 MAT101	Mat - rubber	Traveller
MAT102	Carpet - set	803cc 4-door saloon
MAT103	Carpet - set	803cc 2-d. sal., Conv.
		Traveller
MAT104	Carpet - set	948cc, 1098cc 4-d.sal.
MAT105	Carpet - set	948cc, 1098cc 2-d.sal.
		Convertible, Traveller
2 MAT106	Button fastener (platic)	
3 MAT107	Strip - aluminium - front	
4 MAT108	Strip - aluminium - centre	
5 MAT109	Strip - aluminium - rear	
6 MAT110	Cover - rear floor, wheel arches and seat squab - set	



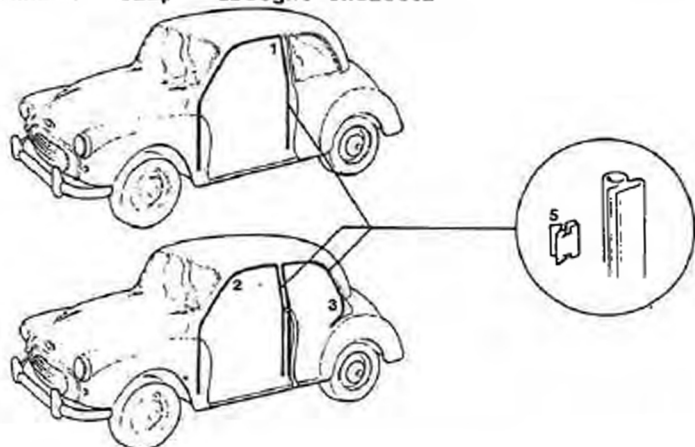
Ill. Part No.	Part Number	Description	Remarks
1		Liner - door	2-d. saloon, Conv.
2		Liner - front quarter	
3		Liner - rear quarter	
4		Padding - wheel arch	
5		Liner - toe board	
6	TRM702	Clip - door liner	
7		Liner - rear - quarter	



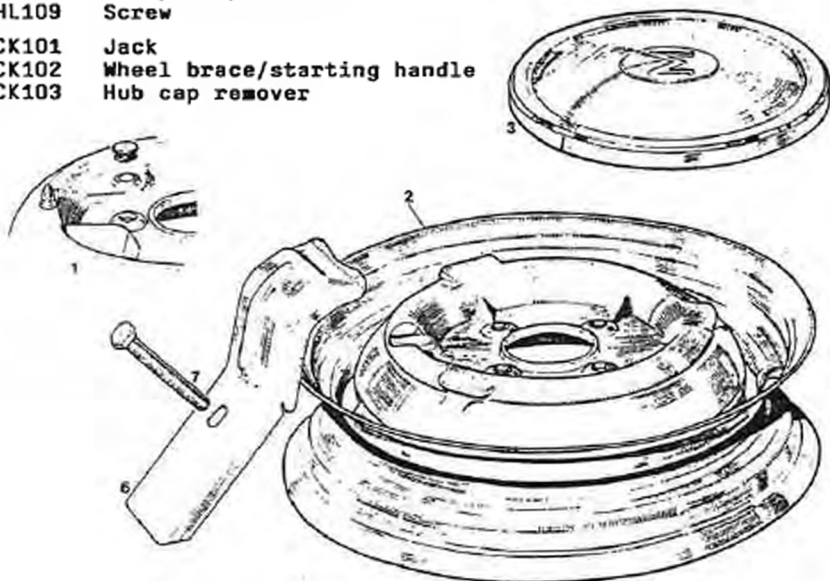
Ill. Part No.	Part Number	Description	Remarks
1		Liner - front door	4-door saloon
2		Liner - front quarter	
3		Liner - centre pillar - lower	
4		Liner - centre pillar - upper	
5		Liner - rear door	
6		Liner - rear wheel arch	
7		Liner - heelboard	
8		Liner - rear parcel shelf	
9		Pad - crash - fascia tray	
10	TRM700	Door pull with backing plate	
11	TRM701	Capping	
12	TRM702	Clip - door liner	
13	TRM703	Clip - centre pillar liner	

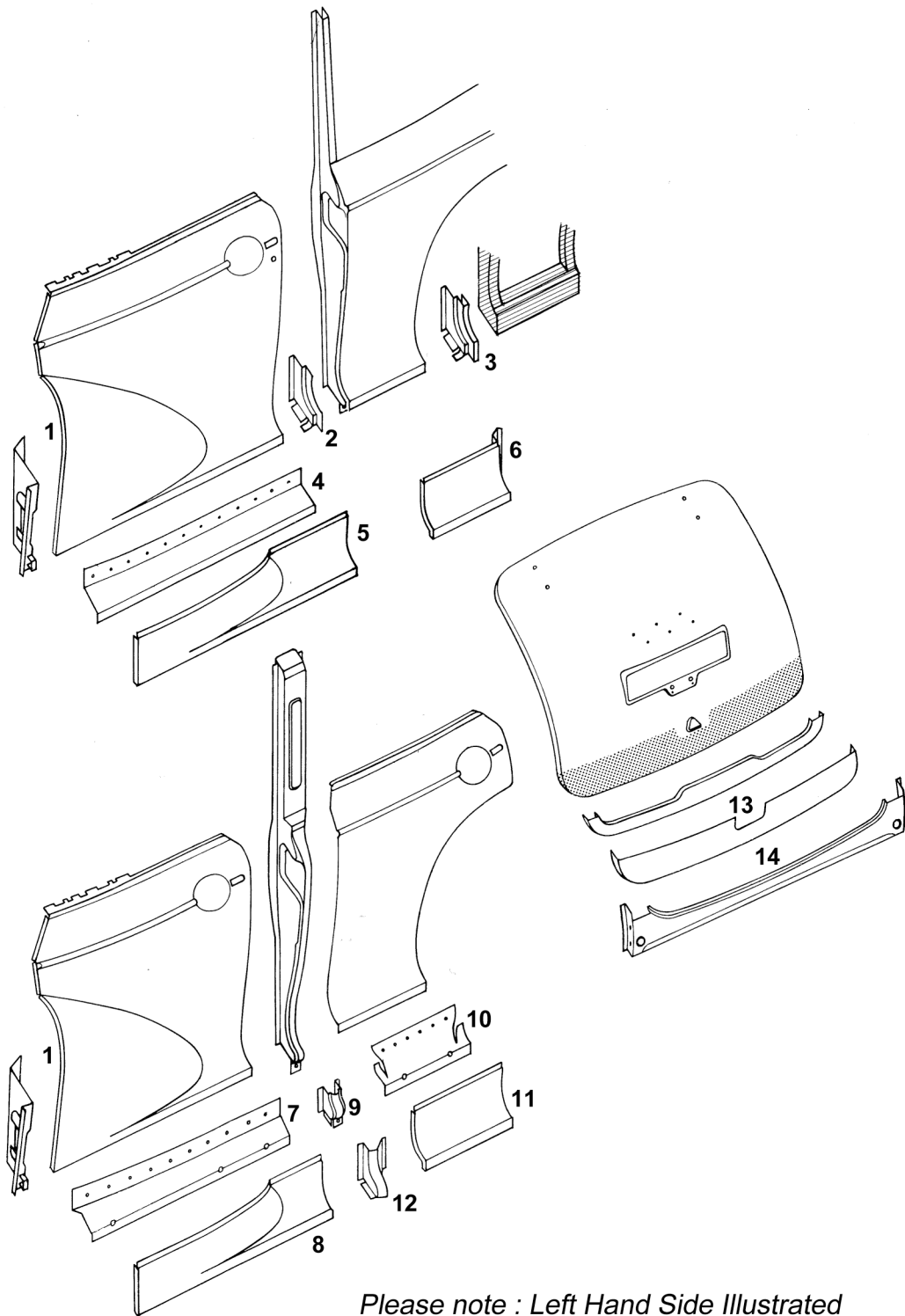


Ill. Part No. Number	Description	Remarks
1 TRM117	Excluder - draught	2-d. sal. Traveller
2 TRM118	Excluder - draught - front	4-door saloon
3 TRM119	Excluder - draught - rear	-
TRM120	Excluder - draught	Convertible
5 TRM121	Clip - draught excluder	



Ill. Part No. Number	Description	Remarks
WHL101	Road Wheel	
1 WHL102	Road wheel	Late 803cc
2 WHL103	Road wheel	948cc and 1098cc
3 WHL104	Hubcap - 'M' motif	
WHL105	Hubcap - less motif	
6 WHL108	Clamp - spare wheel	
7 WHL109	Screw	
* JCK101	Jack	
* JCK102	Wheel brace/starting handle	
* JCK103	Hub cap remover	





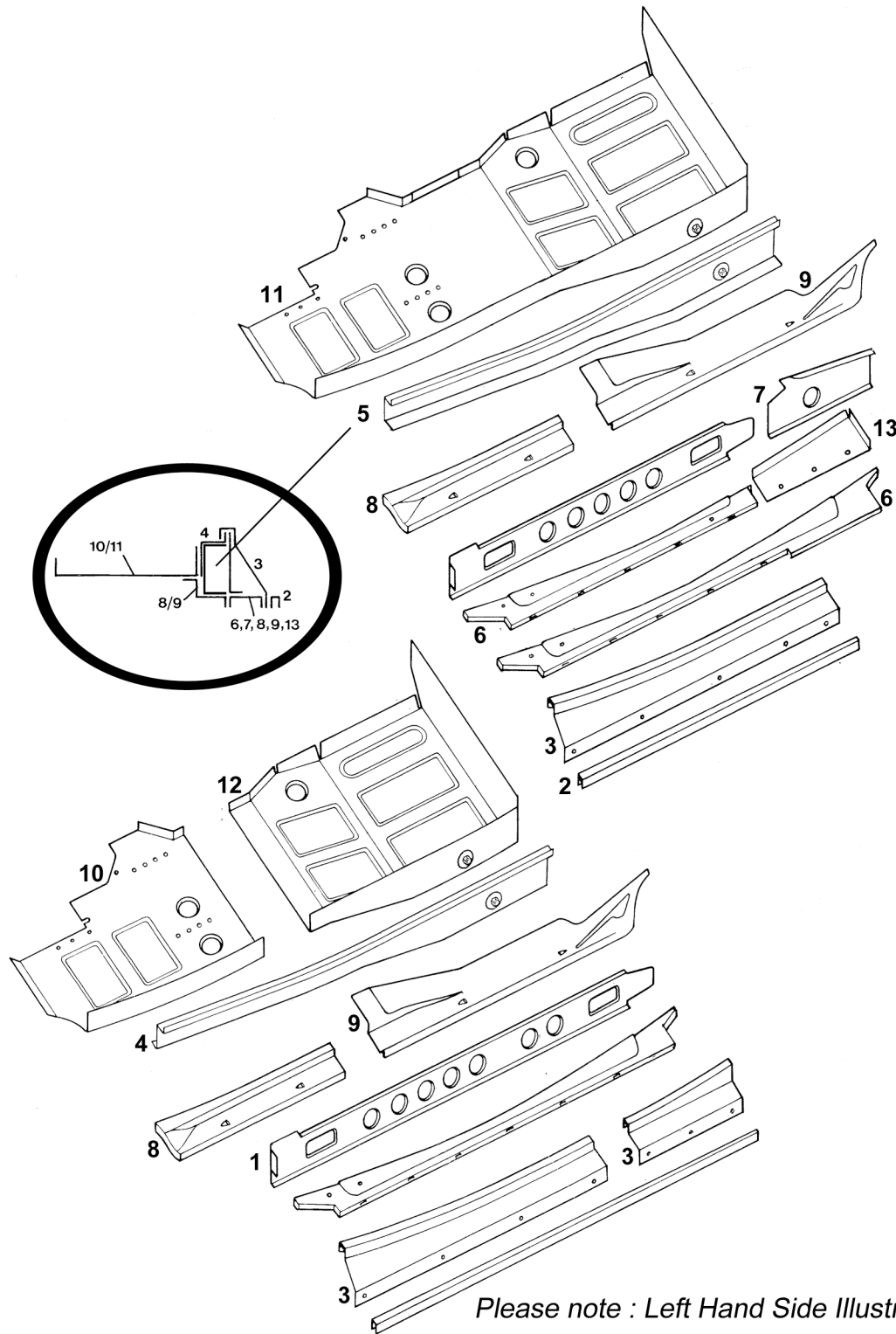
Please note : Left Hand Side Illustrated

PARTNO — DESCRIPTION —

1	REP156	Pillar Repair	LH
	REP155	Pillar Repair	RH
2	REP064	"B" Pillar Repair 2Door Saloon	RH
	REP065	"B" Pillar Repair 2Door Saloon	LH
3	REP068	"B" Pillar Repair Traveller	RH
	REP069	"B" Pillar Repair Traveller	LH
4	REP046	Frame Repair 2Door	RH
	REP047	Frame Repair 2Door	LH
5	REP042	Door Skin Repair	RH
	REP043	Door Skin Repair	LH
6	REP058	Rear Lower Quarter Repair	RH
	REP059	Rear Lower Quarter Repair	LH
7	REP048	Front Frame Repair 4Door	RH
	REP049	Front Frame Repair 4Door	LH
8	REP042A	Front Door Skin Repair 4Door	RH
	REP043A	Front Door Skin Repair 4Door	LH
9	REP066	"B" Pillar Repair 4Door / Van	
10	REP050	Rear Frame Repair 4Door	RH
	REP051	Rear Frame Repair 4Door	LH
11	REP044	Rear Door Skin Repair 4Door	RH
	REP045	Rear Door Skin Repair 4Door	LH
12	REP070	"C" Pillar Repair 4Door	RH
	REP071	"C" Pillar Repair 4Door	LH
13	REP140	Bootlid Repair <small>Inner & Outer</small>	
14	REP072	Boot Surround Lower	

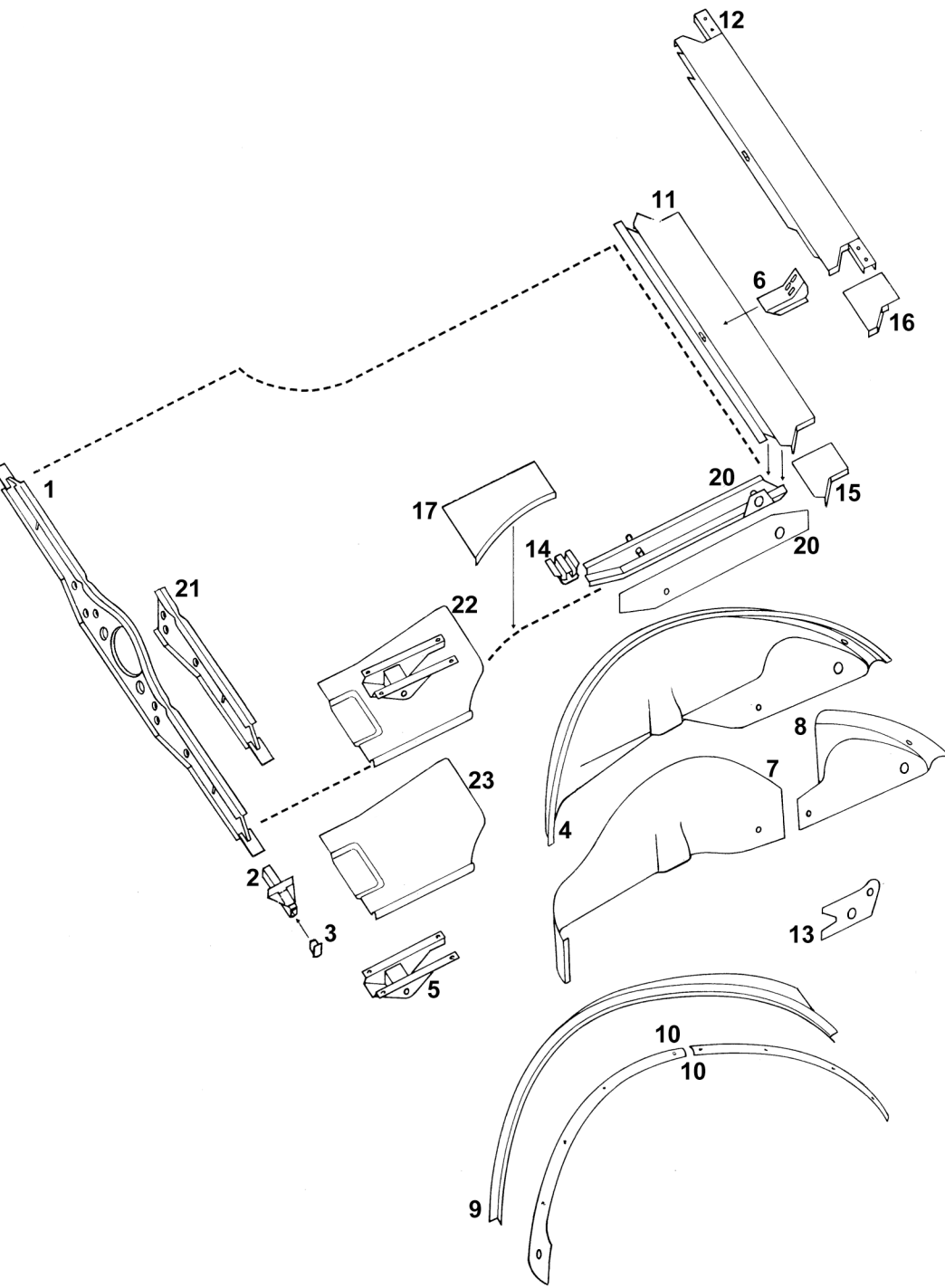
PARTNO — DESCRIPTION

PARTNO	DESCRIPTION		
1	REP096	Boxing Panel	2Door RH
	REP097	Boxing Panel	2Door LH
	REP098	Box Plate	4Door RH
	REP099	Box Plate	4Door LH
2	REP076	Sill Finisher	2Door RH
	REP077	Sill Finisher	2Door LH
	REP132	Sill Finisher	4Door RH
	REP133	Sill Finisher	4Door LH
3	REP078	Kick Plate	2Door RH
	REP079	Kick Plate	2Door LH
	REP080	Kick Plate Front	4Door RH
	REP081	Kick Plate Front	4Door LH
	REP082	Kick Plate Rear	4Door RH
	REP083	Kick Plate Rear	4Door LH
4	REP104A	Sill Step	RH
	REP105A	Sill Step	LH
5	REP100	Inner Box Strengthenener	RH
	REP101	Inner Box Strengthenener	LH
6	REP084	Outer Sill	2Door RH
	REP085	Outer Sill	2Door LH
	REP086	Outer Sill	4Door RH
	REP087	Outer Sill	4Door LH
	REP088	Outer Sill	Traveller RH
	REP089	Outer Sill	Traveller LH
7	REP094	Box Plate Extension	RH
	REP095	Box Plate Extension	LH
8	REP118	Floor Edge Panel Front	RH
	REP119	Floor Edge Panel Front	LH
9	REP116	Floor Edge Panel Rear	RH
	REP117	Floor Edge Panel Rear	LH
10	REP108	Floor Quarter Front	RH
	REP109	Floor Quarter Front	LH
11	REP104	Floor Well Half & Step	RH
	REP105	Floor Well Half & Step	LH
12	REP106	Floor Quarter Rear	RH
	REP107	Floor Quarter Rear	LH
13	REP138	Closing Panel	RH
	REP139	Closing Panel	LH



Please note : Left Hand Side Illustrated



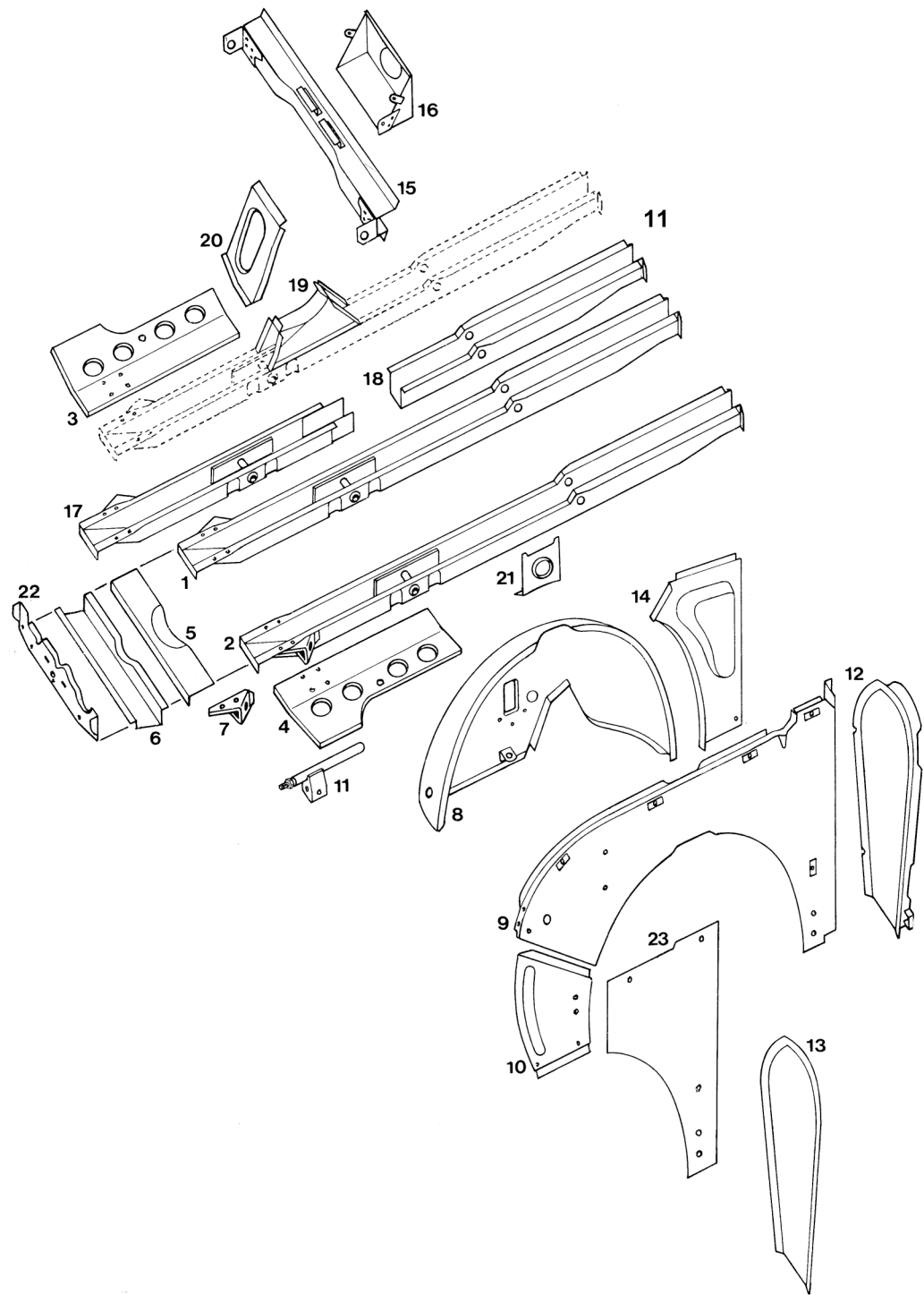


PARTNO — DESCRIPTION

1	REP122	Cross Member Solid	
	REP122A	Cross Member Laminated	
2	REP121	Jacking Point	
3	CHS126	Jacking Point Plug	
4	REP134	Rear Inner Wing	RH
	REP135	Rear Inner Wing	LH
5	REP110	Front Spring Hanger	RH
	REP111	Front Spring Hanger	LH
6	REP073	Striker Bracket	
7	REP054	Rear Inner Wing Front Repair	RH
	REP055	Rear Inner Wing Front Repair	LH
8	REP052	Rear Inner Wing Repair	RH
	REP053	Rear Inner Wing Repair	LH
9	REP062	Traveller Top Flange	RH
	REP063	Traveller Top Flange	LH
10	REP056	Wing Mount Flange	RH
	REP056A	Wing Mount Flange Extended	RH
	REP057	Wing Mount Flange	LH
	REP057A	Wing Mount Flange Extended	LH
11	REP074A	Boot Well Extended	
12	REP075	Boot Well Traveller	
13	REP152	Rear Arch Bracket	
14	REP141	Rear Bump Stop Plate	
15	REP074ARH	Boot Well Corner	RH
	REP074ALH	Boot Well Corner	LH
16	REP075RH	Boot Well Corner	RH
	REP075LH	Boot Well Corner	LH
17	REP157	Rear Floor Edge Panel	RH
	REP158	Rear Floor Edge Panel	LH
20	REP060A	Rear Spring Hangar	RH
	REP061A	Rear Spring Hangar	LH
21	REP120	Crossmember End <small>approx 20"</small>	
22	REP114	Front Spring Hanger	RH
	REP115	Front Spring Hanger	LH
23	REP110A	Floor Over Hanger	RH
	REP111A	Floor Over Hanger	LH

Please note : Left Hand Side Illustrated

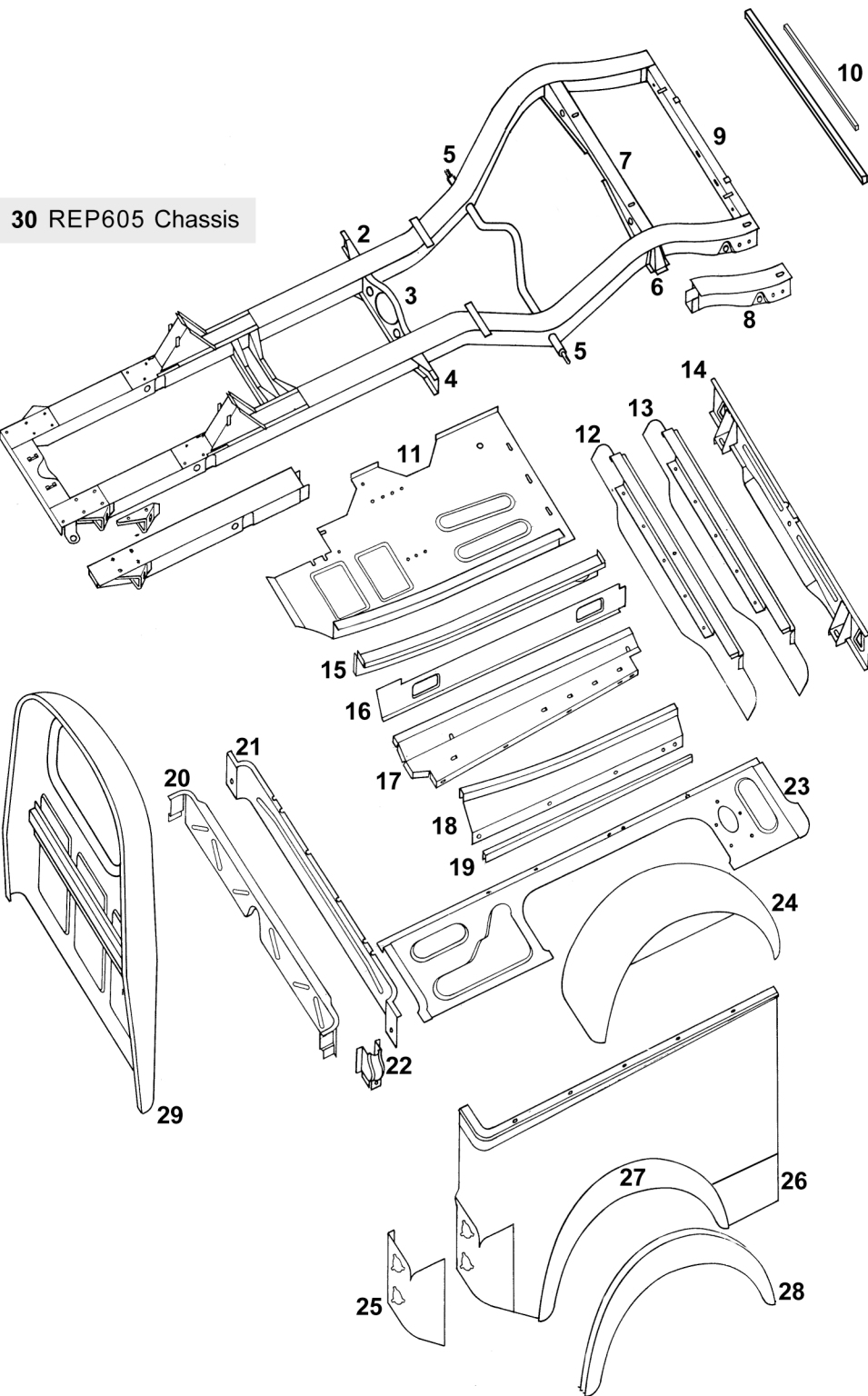




PARTNO — DESCRIPTION

1	REP008	Chassis Full Leg	RH
2	REP009	Chassis Full Leg	LH
3	REP004	Tie Plate	RH
4	REP005	Tie Plate	LH
5	REP001	Front Cross Member Upper	
6	REP002	Front Cross Member Lower	
7	REP006A	Tie Bar Bracket	RH
	REP007A	Tie Bar Bracket	LH
8	REP032	Front Inner Wing	RH
	REP033	Front Inner Wing	LH
9	REP010	Flitch Full Panel	RH
	REP011	Flitch Full Panel	LH
10	REP028	Flitch Extension	RH
	REP029	Flitch Extension	LH
11	REP124	Front Bumper Mounting	RH
	REP125	Front Bumper Mounting	LH
12	REP030	Hinge Pill	RH
	REP031	Hinge Pill	LH
13	REP018	Hinge Pillar Cover	RH
	REP019	Hinge Pillar Cover	LH
14	REP150	Inner "A" Panel	RH
	REP151	Inner "A" Panel	LH
15	REP009B	Toeboard Cross Member	
16	REP148	Battery Box	
17	REP006	Front Chassis Leg Repair	RH
	REP007	Front Chassis Leg Repair	LH
18	REP006RR	Rear Chassis Leg Repair	RH
	REP007RL	Rear Chassis Leg Repair	LH
19	REP008A	Tower Leg	RH
	REP009A	Tower Leg	LH
20	REP146	Tie Plate Support	RH
	REP147	Tie Plate Support	LH
21	REP038	Flitch Bracing	RH
	REP039	Flitch Bracing	LH
22	REP003	Radiator Support Repair	
23	REP012	Flitch Rear Section	RH
	REP013	Flitch Rear Section	LH

30 REP605 Chassis



PARTNO — DESCRIPTION

PARTNO	DESCRIPTION		
1	REP606	Front Chassis Repair	RH
	REP607	Front Chassis Repair	LH
2	REP602A	Mid Crossmember End	RH
3	REP602C	Mid Crossmember Centre	
4	REP602B	Mid Crossmember End	LH
5	REP604B	Front Spring Pin	
6	REP604A	Rear Chassis Bump Stop	
7	REP602	Crossmember Dampers	
8	REP603	Rear Chassis Repair	RH
	REP604	Rear Chassis Repair	LH
9	REP601	Rear Crossmember	
10	REP601AB	Tank Support	2 Pieces
11	REP625	Half Cab Floor & Step	RH
	REP626	Half Cab Floor & Step	LH
12	REP609	Rear Outer Valance	Van
13	REP610	Rear Outer Valance	Pick Up
14	REP608	Rear Inner Valance	
15	REP625A	Floor Step	RH
	REP626A	Floor Step	LH
16	REP619	Boxing Plate	RH
	REP620	Boxing Plate	LH
17	REP617	Floor Edge Sill	RH
	REP618	Floor Edge Sill	LH
18	REP080	Kick Plate Front	4 Door
	REP081	Kick Plate Front	4 Door
19	REP621	Finisher Van	RH
	REP622	Finisher Van	LH
20	REP616	Rear of Cab Lower	
21	REP615	Rear of Cab Upper	
22	REP066	"B" Pillar Repair	4 Door / Van
23	REP611	Load Floor Panel	RH
	REP612	Load Floor Panel	LH
24	REP612A	Arch	LH/RH
25	REP629	Rear Light Cluster	RH
	REP630	Rear Light Cluster	LH
26	REP640	Lower Body Side	RH
	REP641	Lower Body Side	LH
27	REP627	Rear Wing Repair	RH
	REP628	Rear Wing Repair	LH
28	REP633	Wheel Arch Repair Panel	Extended
	REP634	Wheel Arch Repair Panel	Extended
29	REP642	Fibreglass Cab Back	Pick up



CLASSIC MINI | JAGUAR & DAIMLER | MG & TRIUMPH | MORRIS MINOR | MX5

Classic Mini
0121 544 0011

Parts for all Mini cars

Around 9,360 parts lines available – about 2,700 in stock now
for BMC Mini MK I-V, Cooper, Clubman and more

Jaguar & Daimler
0121 544 4040

Parts for Jaguar and Daimler cars

Around 109,400 parts lines available – about 10,700 in stock now for
Daimler V8 parts – Daimler Dart spares – Jaguar MK.II Parts - E-Type spares
Jaguar XK120, 140 & 150 parts, XJ6, XJ12, XJS, XJ40 parts
S-Type & X-Type parts, X300 parts, XK8 & xJ8 parts

MG & Triumph
0121 544 4444

Parts for classic MG & Triumph cars

Around 28,500 parts lines available – about 8,650 in stock now for
MGA to MGTF, Triumph TR2 to TR8, Spitfire, 2000, 2500, MX5
Herald, GT6, Dolomite, Toledo, Austin Healey Sprite and AH 3000

Morris Minor
0121 544 5522

Parts for Morris Minor cars

Around 3,000 parts lines available – over 2,100 in stock now for all models built from
1948-71 including parts to upgrade and modernise.

MX5
0121 544 5555

Parts for Mazda MX5 cars

Around 960 parts lines available – about 600 in stock now for
Mazda MX5 MK1-2 range

991 WOLVERHAMPTON ROAD | OLDBURY | WEST MIDLANDS | B69 4RJ