



# ABINGDON MG

PART OF THE DAVID MANNERS GROUP

MGA | MGB | MGC | MIDGET | MGF | MGTF | SPRITE | TR2-8 | SPITFIRE | HERALD | GT6 | STAG | DOLOMITE | MX-5

## MGC RETAIL PARTS GUIDE



0121 544 4444

E-MAIL: [ENQUIRIES@DAVIDMANNERS.CO.UK](mailto:ENQUIRIES@DAVIDMANNERS.CO.UK)  
OR VISIT OUR OLDBURY TRADE COUNTER - B69 4RJ

[WWW.DAVIDMANNERS.CO.UK](http://WWW.DAVIDMANNERS.CO.UK)

PARTS FOR CLASSIC MINI | JAGUAR & DAIMLER | MG & TRIUMPH | MORRIS MINOR | MX-5

THE DAVID MANNERS GROUP  
PARTS FOR

# MG, MX5 & TRIUMPH

ALL PRICES INCLUSIVE OF VAT

The David Manners Group now comprises of four of the most established market leaders in the car parts industry including Abingdon M G Parts Ltd, Mini Spares Centre Limited, and Morris Minor Centre (Birmingham) and supply parts for modern and classic Jaguar & Daimler, MG & Triumph, Mazda MX5, Classic Mini and Morris Minor cars.

We have access to over 28,500 parts and over 8,650 lines in stock now for MGA to MGTF, Triumph TR2 to TR8, Spitfire, 2000, 2500, MX5 Herald, GT6, Dolomite, Toledo, Austin Healey Sprite and AH 3000. Originally conceived in the late 1980s Abingdon MG Parts Ltd is a well-established and recognised player in the market.

We have access to over 28,500 parts and over 8,650 lines in stock.

## MAIL ORDER SERVICE

- Fast & efficient delivery service
- Delivery accross the entire United Kingdom
- Around 19,000 part lines available

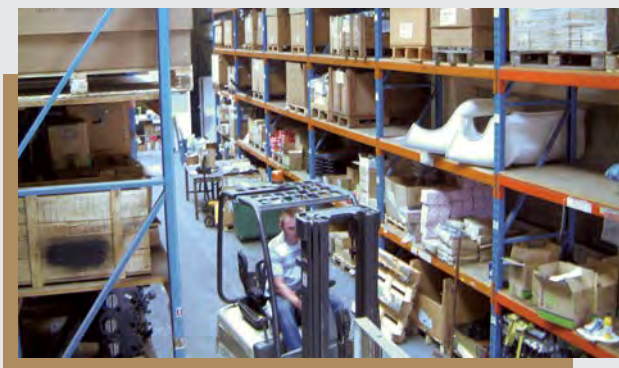


## COUNTER SERVICE

- Knowledgable & friendly sales staff
- Showroom & catalogues to view
- 50 yards from J2 off the M5

## ONLINE WEB ORDER

- Secure online site
- Full parts database available for viewing
- Log in facilities for trade & retail customers



WWW.DAVIDMANNERS.CO.UK

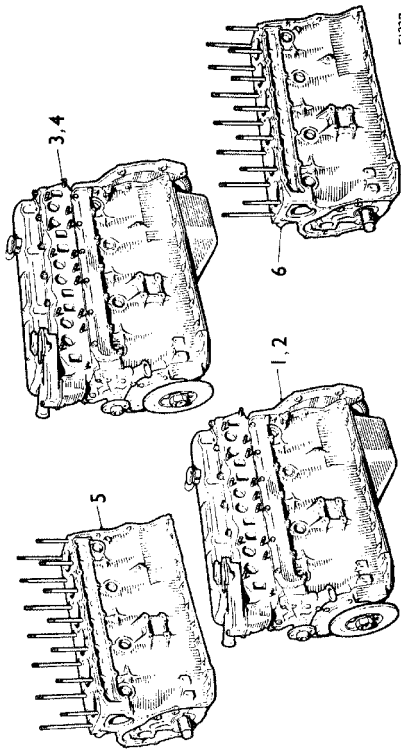
ENQUIRIES@DAVIDMANNERS.CO.UK

0121 544 4444

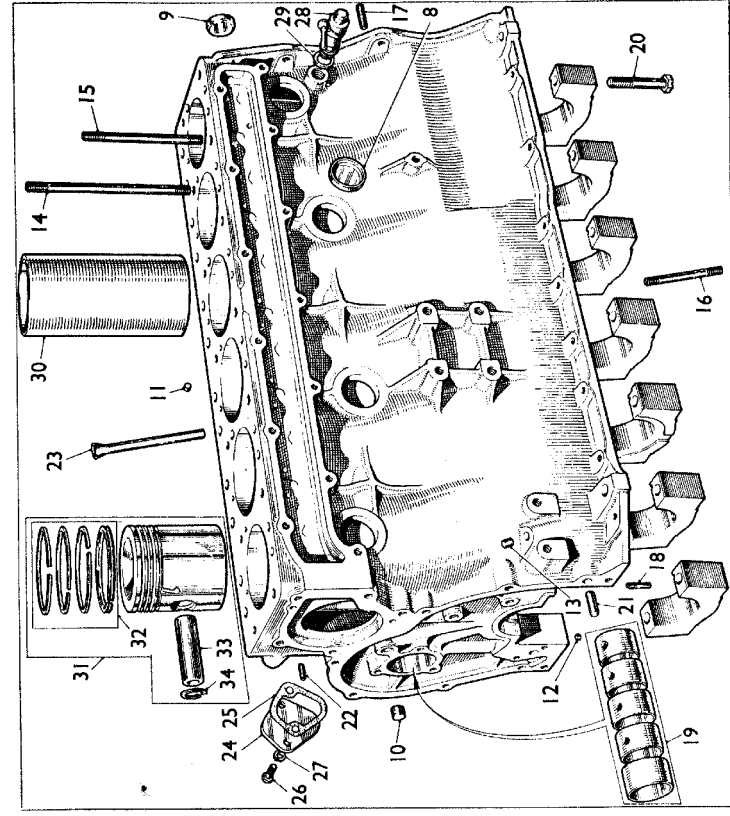
Illus. No.	DESCRIPTION	Part No.	Quantity	Change Point	REMARKS
------------	-------------	----------	----------	--------------	---------

**ENGINE UNIT**

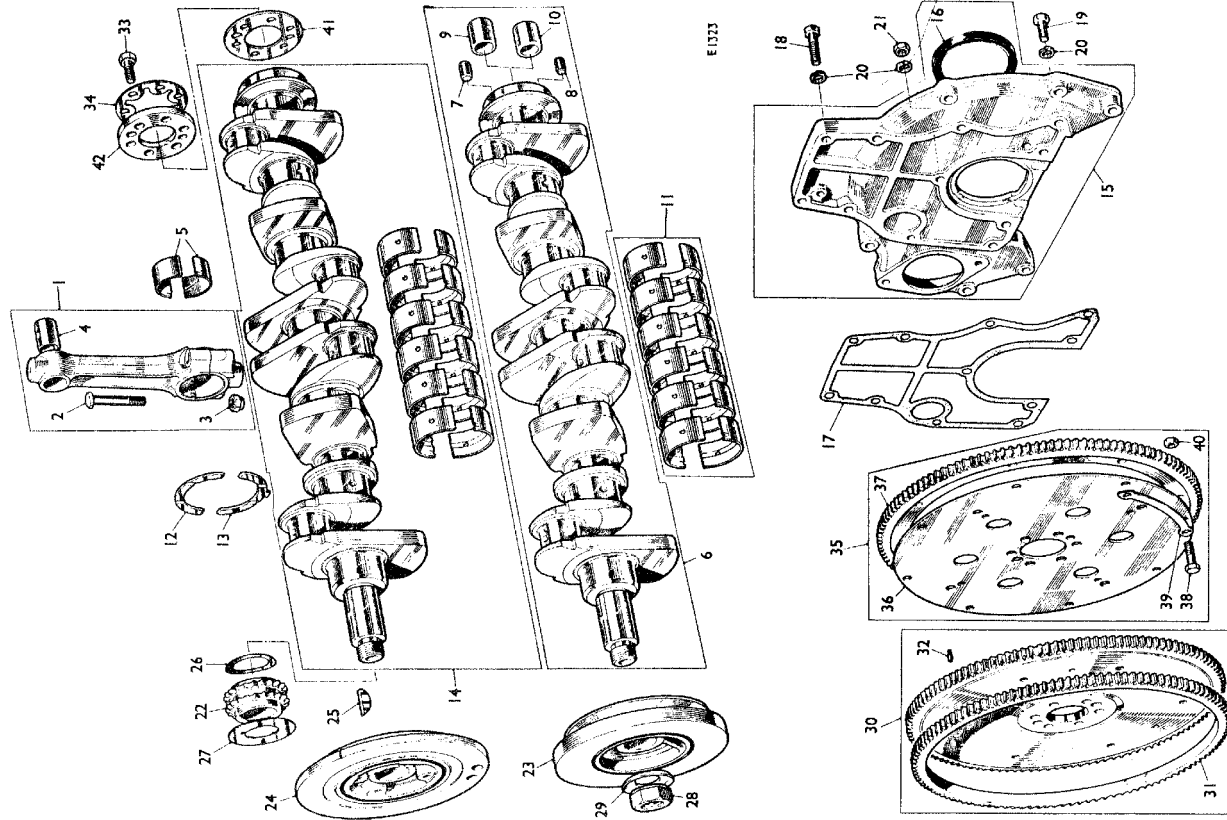
1	Engine unit—stripped		1		
2	Standard	18C 247	1		
3	Exhaust controlled	18C 368	1		
4	Standard	18C 355	1		
5	Exhaust controlled	18C 387	1		
6	Engine unit—part—manual gearbox	18C 346	1		
7	Engine unit—part—automatic gearbox	18C 354	1		
8	Block assembly—cylinder	18C 345	1		
9	Plug		4		
10	Cone nuts	†AEC 892	4		
11	Cone seal	†AEC 876	4		
12	Oil gallery	18C 507	2		
13	Distributor gear oil feed	†2K 1845	1		
14	Chain tensioner oil feed	†2K 6650	1		
15	Dipstick boss	†2B 1328	1		
16	Stud		7		
17	Cylinder head—long	†12B 1329	7		
18	Cylinder head—short	†12B 1330	7		
19	Oil pump	†FHS 0529	3	(E) 29C/101 To V	
20	Rear plate to crankcase	†12B 2181	3		
21	Oil reservoir	†12B 2182	4		
22	Liner—camshaft bearing—set	†8C 2518	1		
23	Gap—main bearing		1		
24	Thrust	†NSP	1		
25	Washer	†NSP	1		
26	Nut	†NSP	6		
27	Screw—main bearing cap	†12B 2356	14		
28	Dowel—front cover and rear plate	†2K 6822	4		
29	Tube—water pump	†2K 6122	2		
30	Plate—oil level indicator	†AEC 672	1		
31	Plate—blanking—fuel pump	†1G 2443	1		
32	Gasket	†12B 1666	1		
33	Washer—spring	†LWZ 2006	2		
34	Tap—cylinder drain	†3H 2602	1		
35	Washer—drain tap (fibre)	†2K 4954	1		
36	Liner—cylinder block	†AEC 879	6		Use as required
37	Grade 3				
38	Standard	†8C 2514 09	1		
39	020° 0-606 mm	O/S. †8C 2514 43	1		
40	040° 1-016 mm	O/S. †8C 2514 43	1		
41	Grade 6				
42	Standard	†8C 2514 06	1		
43	020° 0-609 mm	O/S. †8C 2514 28	1		
44	040° 1-016 mm	O/S. †8C 2514 46	1		
45	Ring piston—engine set				
46	Standard	†8C 2515 00	1		
47	020° 0-609 mm	O/S. †8C 2515 40	1		
48	040° 1-016 mm	O/S. †8C 2515 40	1		
49	Piston—square	†12B 1478	6		
50	Circlip	†CCN 214	12		



E1327

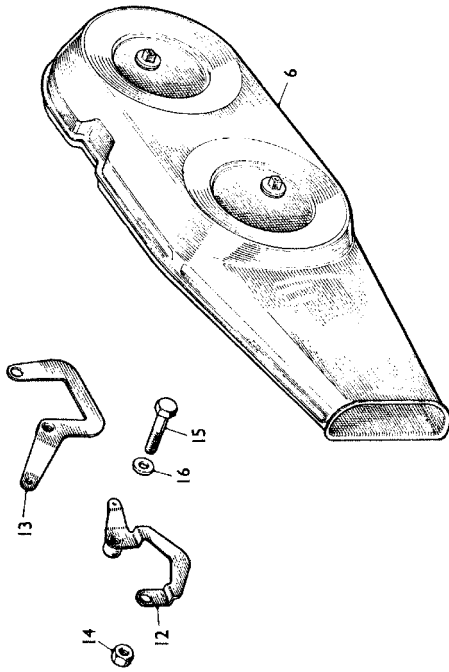


**ABBREVIATIONS AND SYMBOLS**  
 NSP Non serviceable part. ▼ Change point not available.  
 O/S Oversize

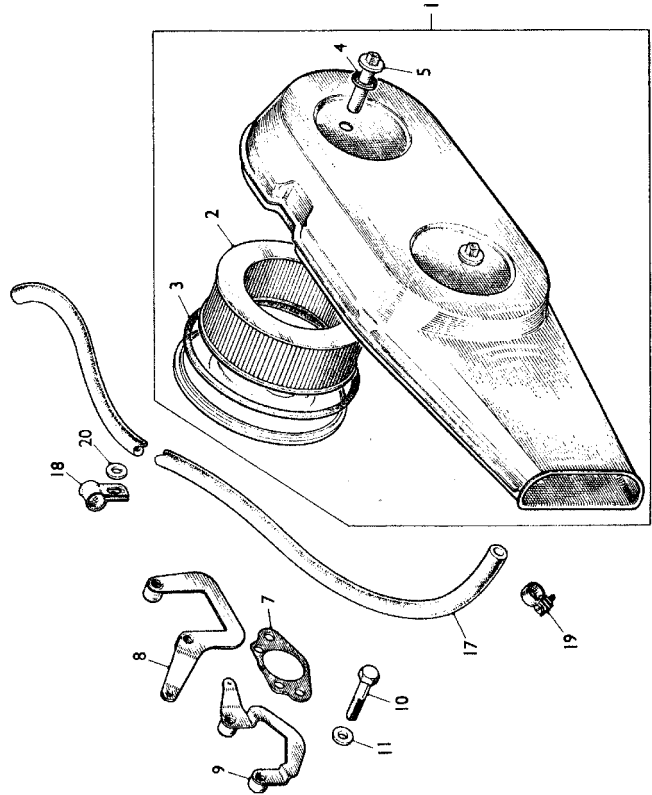


Illus. No.	DESCRIPTION	Part No.	Quantity	Change Point	REMARKS
<b>CONNECTING RODS—BEARINGS</b>					
1	Rod—connecting—engine set	18G 2528	1		
2	Bolt—cap	12B 1487	12		
3	Nut	AEC 328	12		
4	Bush—small end	18G 404	6		
5	Bearing—connecting rod—engine set	18G 2516	1		
6	Standard	-010" [-.254 mm] U/S	1		
6		-020" [-.508 mm] U/S	1		
6		-030" [-.762 mm] U/S	1		
6		-040" [-1.016 mm] U/S	1		
6		18G 2518 10	1		
6		18G 2518 20	1		
6		18G 2518 30	1		
6		18G 2518 40	1		
<b>CRANKSHAFT—BEARINGS</b>					
6	Crankshaft (with bush)	Manual	1		
6	Crankshaft (with bush)	Automatic	1		
7	Dowel—large	12B 1396	1		
8	Dowel—small	12B 1397	1		
9	Bush—automatic	12B 1401	1		
10	Bush—standard	12B 1402	1		
11	Bearing—main—engine set	12B 1397	1		
11	Standard	18G 2517	1		
11		-010" [-.254 mm] U/S	1		
11		-020" [-.508 mm] U/S	1		
11		-030" [-.762 mm] U/S	1		
11		-040" [-1.016 mm] U/S	1		
11		18G 2517 30	1		
11		18G 2517 40	1		
12	Washer—thrust—upper	AEC 278	2		
12	Standard	-0225" [-.0635 mm] O/S	2		
12		-0550" [-1.270 mm] O/S	2		
12		-0775" [-1.905 mm] O/S	2		
12		-1.000" [-2.540 mm] O/S	2		
12		AEC 744	2		
12		AEC 746	2		
12		AEC 748	2		
13	Washer—thrust—lower	AEC 279	2		
13	Standard	-0225" [-.0635 mm] O/S	2		
13		-0550" [-1.270 mm] O/S	2		
13		-0775" [-1.905 mm] O/S	2		
13		-1.000" [-2.540 mm] O/S	2		
13		AEC 747	2		
13		AEC 749	2		
14	Crankshaft (with bearings)	Manual	1		UK market; exchange unit scheme only
14	Crankshaft (with bearings)	Automatic	1		
15	Plate assembly—rear engine mounting	12B 1422	1		
16	Seal—oil—crankshaft	13H 3930	1		Use 19H 2467 for this application
16	Seal—oil—crankshaft	13H 2467	1		
17	Crankset	12B 1441	1		
17	Screw—long	12B 1442	2		
18	Screw—short	12B 1443	2		
19	Washer—lock	12B 1444	2		
20	Washer—spring	12B 1445	2		
21	Nut—plate—stud	12B 1446	2		
22	Gear—crankshaft	12B 1980	1		
23	Pulley—crankshaft (with damper)	12B 1437	1		
24	Pulley—crankshaft (with damper)	12B 1438	1		(E) 29C 101 on
24	Key—pulley—crankshaft	WFS 606	2		(E) 29GA 101 on
25	Washer—packing—gear and pulley	2K 8726	A/R		
26	Thrower—oil	12B 1436	1		
27	Nut—starting and crankshaft pulley	12B 2072	1		
28	Washer—lock	12B 681	1		
29					
<b>CRANKSHAFT GEAR—PULLEY</b>					
30	Flywheel assembly	12B 306	1		
31	Gear—starter ring	12B 354	1		Not standard fitment
32	Dowel—flywheel to clutch	12B 355	3		
33	Dowel—flywheel to crankshaft	12B 3920	3		
34	Washer—lock	12B 2033	1		
35	Plate assembly—drive	12B 2084	1		
36	Plate—drive	12B 2085	1		
37	Gear—starter ring	12B 2086	1		
38	Bolt	12B 2088	8		
39	Washer—tab	12B 2087	8		
40	Nut—support	12B 1492	8		
41	Plate—crankshaft back	12B 1493	1		
42	Plate—crankshaft back	12B 1494	1		
<b>FLYWHEEL—DRIVE PLATE</b>					
O/S Overseas U/S Underseas UK United Kingdom					





E13.33



Illus. No.	DESCRIPTION	Part No.	Quantity	Change Point	REMARKS
------------	-------------	----------	----------	--------------	---------

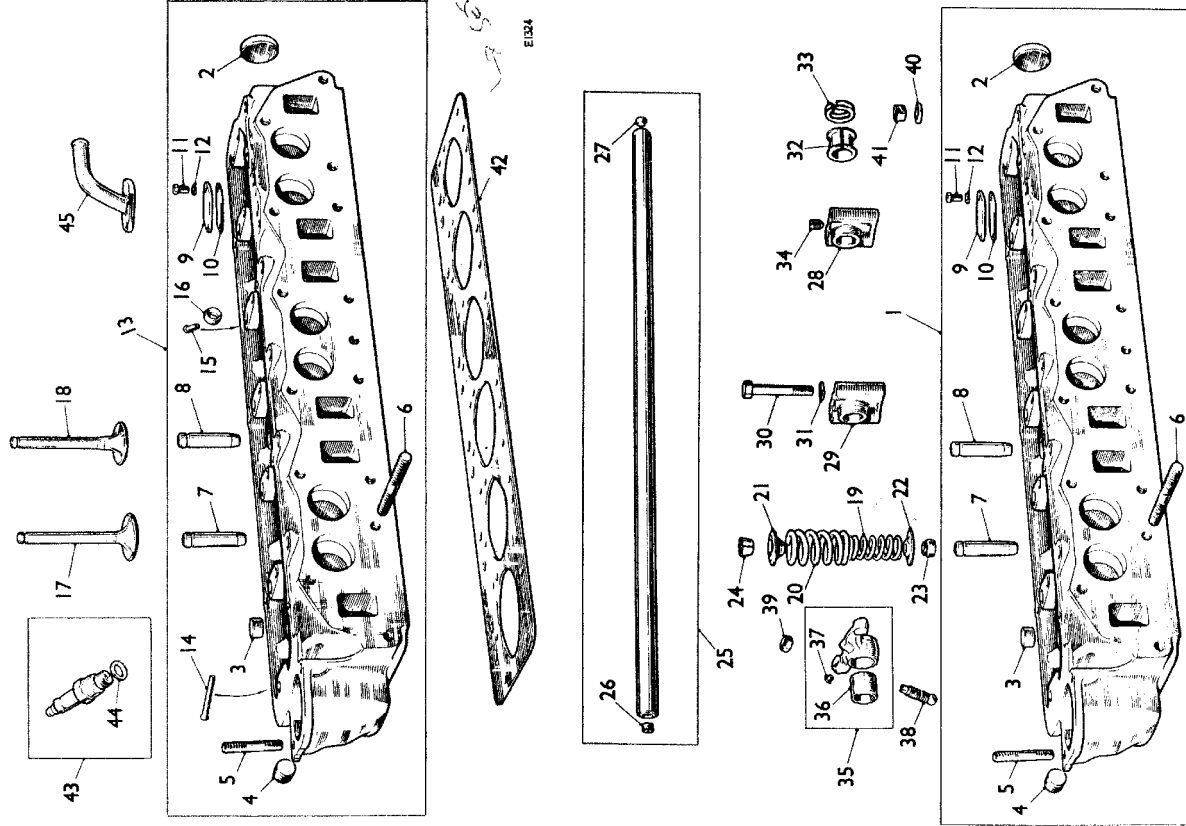
ENGINE—continued

AIR CLEANER

1	Cleaner assembly—air	AHC 881	1		For all territories except USA USA only
2	Element	271H 8223	2		
3	Washer—sealing (rubber)	271H 8224	2		
4	Washer—nut	271H 8224	2		
5	Nut—square head	271H 8222	2		
6	Cleaner assembly—air	AHC 737	1		

AIR CLEANER FITTINGS

7	Cranket—cleaner to carburettor	AHC 375	2		For all territories except USA USA only
8	Plate—mounting—rear air cleaner	AHC 832	1		
9	Plate—mounting—front	AHC 832	1		
10	Bolt—cleaner to carburettor	AHC 430	4		
11	Washer—plain	PWZ 205	4		
12	Plate—mounting—front	AHC 760	1		
13	Plate—mounting—rear	AHC 751	1		
14	Nut—bracket to studs on air cleaner	LNZ 205	2		
15	Bolt—air cleaner to carburettor	PWC 430	2		
16	Washer—plain	AHC 496	1		
17	Clip—hose to engine	PCR 0811	2		
18	Clip—hose to filter and rocker cover	88C 308	2		
19	Washer—plain	PWZ 105	1		
20	Washer—plain	PWZ 105	1		



Illus. No.	DESCRIPTION	Part No.	Quantity	Change Point	REMARKS
1	Head assembly—cylinder	169C 348	1		
2	Plug	1AEC 876	1		
3	Core	1HZS 0405	1		
4	Thermal transmitter boss	1ADP 210	1		
5	Stud—water outlet elbow	1FHS 2520	2		
6	Stud—manifold	1FHS 2814	15		
7	Guide—valve	112B 1339	8		28G
8	Inlet—standard	112B 1339 10	6		
9	Inlet—010" [254 mm]	O/S 112B 1340	6		
10	Exhaust—standard	112B 1340	6		
11	Exhaust—010" [254 mm]	O/S 112B 1340 10	6		
12	Plate—heater outlet blanking	11G 1282	1		
13	Gasket	188C 423	1		
14	Washer—spring	1HZS 0405	2		
15	Washer—crushing	1LWZ 304	2		
16	Head assembly—cylinder	188C 365	1		
17	Core	1AEC 876	4		
18	Core	11UB 323	4		
19	Thermal transmitter boss	1ADP 210	1		
20	Stud—water outlet elbow	1FHS 2520	2		
21	Stud—manifold	1FHS 2814	15		
22	Guide—valve	112B 1339	6		29GA
23	Inlet—standard	112B 1339 10	6		
24	Inlet—010" [254 mm]	O/S 112B 1340	6		
25	Exhaust—standard	112B 1340	6		
26	Exhaust—010" [254 mm]	O/S 112B 1340 10	6		
27	Plate—heater outlet blanking	11G 1282	1		
28	Gasket	188C 423	1		
29	Screw	1HZS 0405	2		
30	Injector—nut—short	1LWZ 304	2		
31	Injector—nut—long	1LWZ 304	2		
32	Washer—crushing	112B 2348	4		
33	Washer—crushing	112B 2445	2		
34	Valve—inlet	112B 1342	6		
35	Valve—exhaust	188C 466	6		
36	Spring—valve—inner	112B 1344	12		
37	Spring—valve—outer	112B 1345	12		
38	Cup—valve spring top	112B 2177	12		
39	Collar—valve spring—bottom	112B 2176	12		
40	Coil—valve spring	112B 2178	12		
41	Coil—valve spring	112B 2177	12		
42	Shaft assembly—valve rocker	112H 2117	12		
43	Plug—screw	112B 1361	1		
44	Plug—plain	12K 4608	1		
45	Bracket—rocker shaft—tapped	16K 878	1		
46	Bracket—rocker shaft—plain	112B 1353	1		
47	Screw—rocker bracket to head	112B 1354	6		
48	Washer—DC spring	112B 2020	6		
49	Washer—DC spring	112B 2020	6		
50	Washer—DC spring	112B 1355	6		
51	Screw—locating—rocker shaft	12C 584	1		
52	Washer—DC spring	112B 1356	12		
53	Washer—DC spring	112B 1410	12		
54	Washer—DC spring	112B 1410	12		
55	Washer—DC spring	112B 1410	12		
56	Washer—DC spring	112B 1410	12		
57	Washer—DC spring	112B 1410	12		
58	Washer—DC spring	112B 1410	12		
59	Washer—DC spring	112B 1410	12		
60	Washer—DC spring	112B 1410	12		
61	Washer—DC spring	112B 1410	12		
62	Washer—DC spring	112B 1410	12		
63	Washer—DC spring	112B 1410	12		
64	Washer—DC spring	112B 1410	12		
65	Washer—DC spring	112B 1410	12		
66	Washer—DC spring	112B 1410	12		
67	Washer—DC spring	112B 1410	12		
68	Washer—DC spring	112B 1410	12		
69	Washer—DC spring	112B 1410	12		
70	Washer—DC spring	112B 1410	12		
71	Washer—DC spring	112B 1410	12		
72	Washer—DC spring	112B 1410	12		
73	Washer—DC spring	112B 1410	12		
74	Washer—DC spring	112B 1410	12		
75	Washer—DC spring	112B 1410	12		
76	Washer—DC spring	112B 1410	12		
77	Washer—DC spring	112B 1410	12		
78	Washer—DC spring	112B 1410	12		
79	Washer—DC spring	112B 1410	12		
80	Washer—DC spring	112B 1410	12		
81	Washer—DC spring	112B 1410	12		
82	Washer—DC spring	112B 1410	12		
83	Washer—DC spring	112B 1410	12		
84	Washer—DC spring	112B 1410	12		
85	Washer—DC spring	112B 1410	12		
86	Washer—DC spring	112B 1410	12		
87	Washer—DC spring	112B 1410	12		
88	Washer—DC spring	112B 1410	12		
89	Washer—DC spring	112B 1410	12		
90	Washer—DC spring	112B 1410	12		
91	Washer—DC spring	112B 1410	12		
92	Washer—DC spring	112B 1410	12		
93	Washer—DC spring	112B 1410	12		
94	Washer—DC spring	112B 1410	12		
95	Washer—DC spring	112B 1410	12		
96	Washer—DC spring	112B 1410	12		
97	Washer—DC spring	112B 1410	12		
98	Washer—DC spring	112B 1410	12		
99	Washer—DC spring	112B 1410	12		
100	Washer—DC spring	112B 1410	12		

ABBREVIATION AND SYMBOLS

- O/S Oversize
- DC Double coil

Illus. No.	DESCRIPTION	Part No.	Quantity	Change Point	REMARKS
------------	-------------	----------	----------	--------------	---------

ENGINE—continued

CAMSHAFT—GEAR

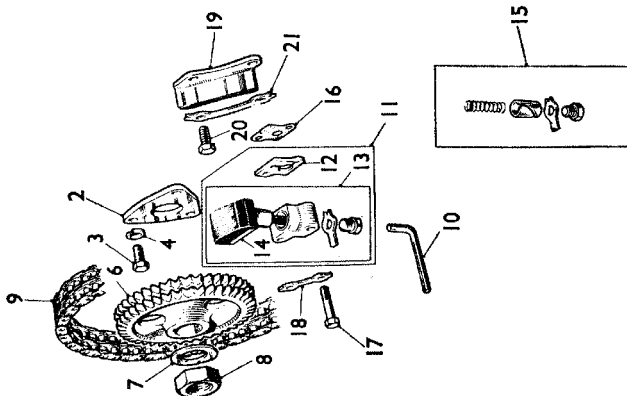
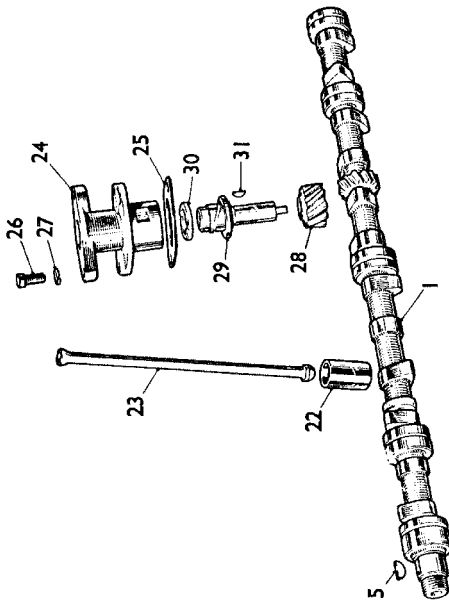
1	Camshaft	12B 2469	1		Correction; was 12B 1817
2	Plate—locating	12B 1439	1		
3	Screw	HNS 0506	3		
4	Washer—spring	LWN 305	3		
5	Key—camshaft gear	WKN 496	1		
6	Washer—camshaft	WKN 496	1		
7	Washer—lock	12B 1819	1		
8	Nut—gear retaining	AEC 847	1		
9	Chain—timing	12B 1430	1		
10	Key—allen—chain tensioner	17H 0879	1		
11	Tensioner assembly—chain	17H 0881	1		
12	Plate—back	AS 5033	1		
13	Tensioner assembly (for back plate)	17H 341	1		
14	Kit—repair—chain tensioner	17H 341	1		
15	Spring	17H 341	1		
16	Cylinder		1		
17	Washer		1		
18	Plug		1		
19	Gasket	AES 339	2		
20	Screw—tensioner to block	AEC 840	2		
21	Damper—chain	12B 432	2		
22	Screw—damper to block	HNS 0506	2		
23	Washer—lock	12B 1434	2		

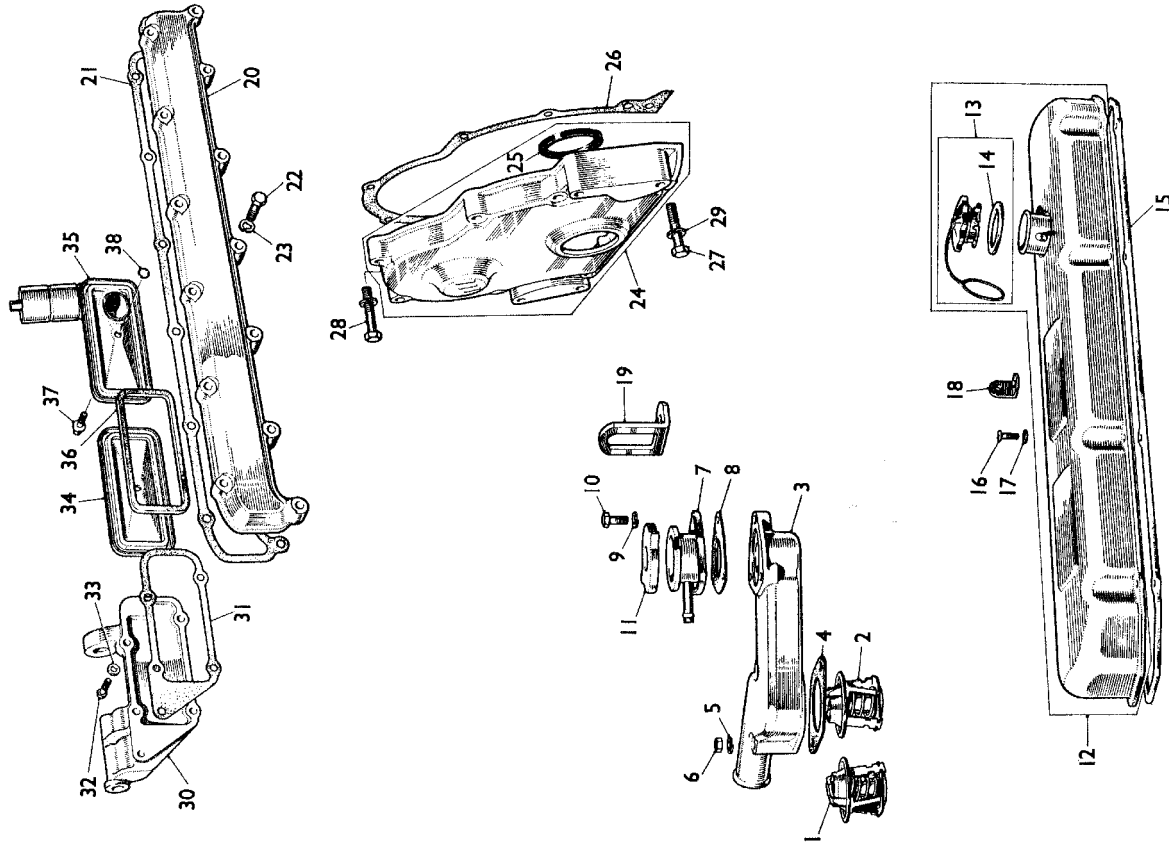
TAPPETS—PUSHRODS

24	Standard	12B 1262	12		
25	O/S [254 mm]	12B 1263	10		
26	O/S [267 mm]	12B 1263	20		
27	O/S [280 mm]	12B 1263	20		
28	O/S [293 mm]	12B 1263	20		
29	O/S [306 mm]	12B 1263	20		
30	O/S [319 mm]	12B 1263	20		
31	O/S [332 mm]	12B 1263	20		

DISTRIBUTOR HOUSING—DRIVE GEAR

32	Housing—distributor	12B 2216	1		
33	Gasket	HNS 412	1		
34	Washer—spring	LWZ 305	2		
35	Gear—distributor drive	12B 2468	1		Correction; was 12B 2214
36	Shaft—distributor gear	12B 2216	1		
37	Washer—thrust	12B 2217	1		
38	Key—distributor gear	WKN 505	1		





Illus No.	DESCRIPTION	Part No.	Quantity	Change Point	REMARKS
<b>ENGINE—continued</b>					
<b>THERMOSTAT—WATER OUTLET ELBOW</b>					
1	Thermostat—74° C	13H 8734	1		For hot climates
2	Thermostat—89° C	13H 3242	1		
3	Elbow—water outlet (with extension)	12B 1814	1		
4	Gasket	1K 1068	1		
5	Washer—spring	LWZ 306	2		
6	Nut	FNZ 506	2		
7	Neck—filler (with flange)	AHJ 3072	1		
8	Neck—neck to elbow	AWZ 306	1		
9	Washer—spring	LWZ 306	3		
10	Screw	ZCS 0606	3		
11	Cap—water filler	AHH 5904	1		
<b>VALVE ROCKER COVER—OIL FILLER CAP</b>					
12	Cover—valve rocker	12B 1810	1		
13	Cap—oil filler	12A 402	1		
14	Washer—filler cap (rubber)	12A 403	1		
15	Gasket	12B 1382	1		
16	Screw—pan head	12B 1810	2		
17	Washer—spring	FNZ 506	2		
18	Clip—thermo pipe retainer	FWZ 304	7		
19	Bracket—engine sling	AHC 389	3		
		2A 289	2		
<b>WATER MANIFOLD—CYLINDER FRONT—SIDE COVERS</b>					
20	Cover—water manifold	12B 1332	1		
21	Gasket	12B 1333	1		
22	Screw	HBZ 0810	13		
23	Washer—spring	LWZ 306	13		
24	Cover—cylinder front	12B 1332	1		
25	Gasket—oil	12C 681	1		
26	Gasket	12B 1338	1		
27	Screw	HBZ 0613	2		
28	Washer—spring	HBZ 0814	5		
29	Cover—cylinder side (with brackets)	LWZ 306	7		
30	Gasket	12B 1348	1		
31	Washer—spring	12B 1349	1		
32	Washer—spring	12C 439	6		
33	Cover—cylinder side—plain	12A 1386	1		
34	Cover—cylinder side (with separator)	12B 1360	1		Correction: was 12A 1170
35	Gasket	12A 1175	2		
36	Screw	53K 1926	2		
37	Seal—"O" ring oil	12B 1332	2		
38		12B 1333	2		



Illus. No.	DESCRIPTION	Part No.	Quantity	Change Point	REMARKS
------------	-------------	----------	----------	--------------	---------

ENGINE—continued

OIL PUMP—RELEASE VALVE—STRAINER

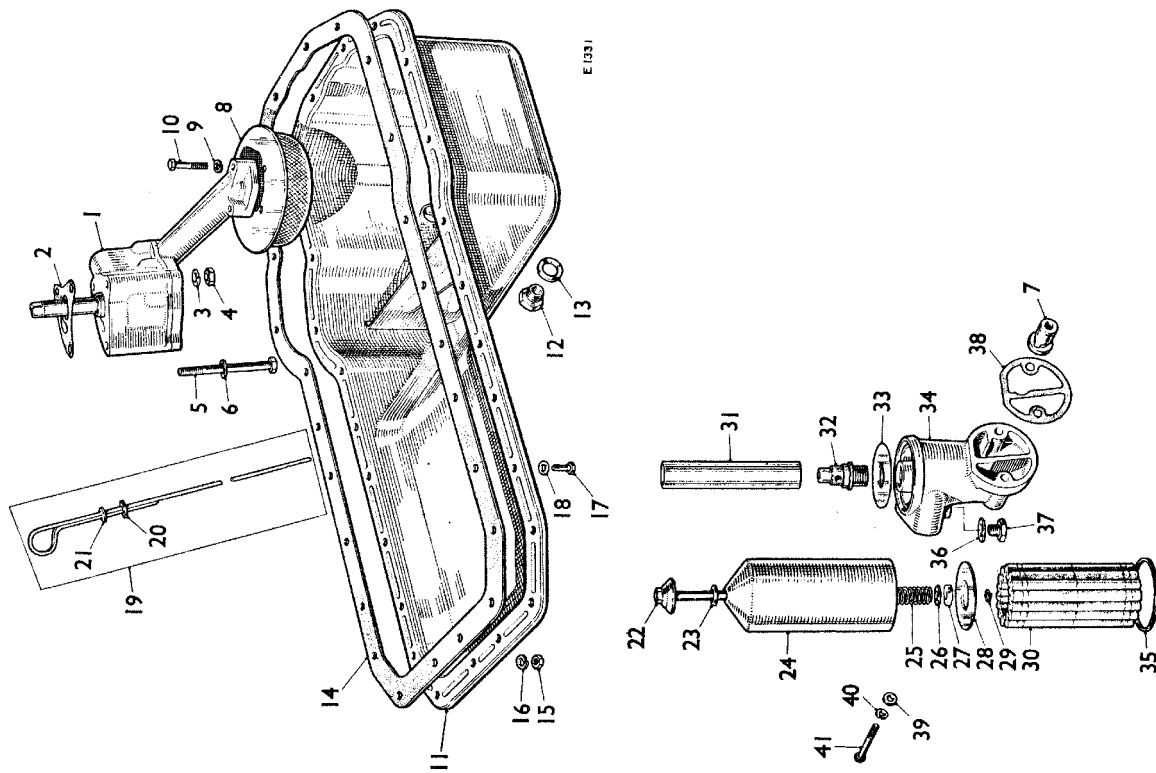
1	Pump—oil	12B 1467	1		
2	Gasket	12B 1468	1		
3	Washer—spring	LWN 305	3		(E) 28G/101 to ▼
4	Nut	6SK 1846	3		(E) 28G/101 on
5	Washer—oil pump to block	6SK 1846	3		(E) 28G/101 on
6	Washer—plain	PWN 205	3		(E) 28GA/101 on
7	Valve—oil pressure release	13H 9651	1		
8	Strainer—oil	12B 1469	1		
9	Washer—spring	LWN 304	3		
10	Screw	HEN 0410	3		

OIL RESERVOIR—OIL LEVEL INDICATOR

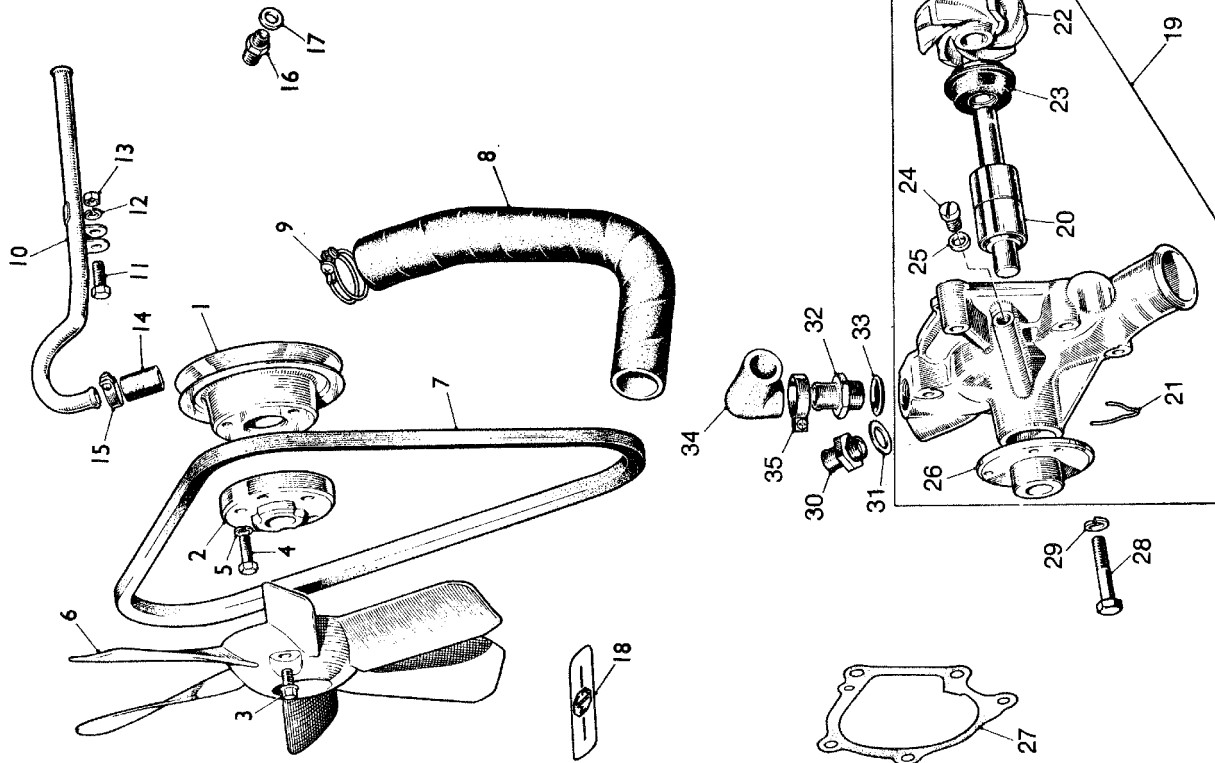
11	Reservoir—oil	12B 2344	1		
12	Plug—drain	4C 909	1		
13	Washer—felt (copper)	12B 1466	1		
14	Gasket—oil	12B 1466	1		
15	Nut—reservoir stud	FNZ 204	4		
16	Washer—spring	LWZ 304	4		
17	Screw—reservoir to block	6K 689	21		
18	Washer—plain	PWZ 304	26		
19	Indicator assembly—oil level	12B 1461	1		
20	Washer—indicator (rubber)	12B 1461	1		
21	Washer—plain	PWN 204	1		

OIL FILTER

22	Filter assembly—oil	NSP	1		
23	Bolt—centre	27H 9378	1		
24	Washer—sealing	37H 1173	1		
25	Container	17H 3529	1		
26	Spring—pressure plate	7H 1764	1		
27	Washer—felt	7H 1766	1		
28	Washer—felt	7H 1766	1		
29	Washer—pressure	17H 942	1		
30	Clutch	17H 2677	1		
31	Element	48G 171	1		
32	Tube—centre	27H 9380	1		
33	Insert—anchor	27H 9379	1		
34	Plate—pressure	7H 147	1		
35	Head—filter	17H 9382	1		
36	Plug—sealing	15H 938	1		
37	Washer (copper)	27H 9377	1		
38	Plug	27H 9381	1		
39	Gasket	12B 1465	1		
40	Washer—plain	PWZ 306	2		
41	Washer—spring	LWZ 306	2		
42	Screw	FHZ 0632	2		



ABBREVIATIONS AND SYMBOLS  
 NSP Non serviceable part. ▼ Change point not available.



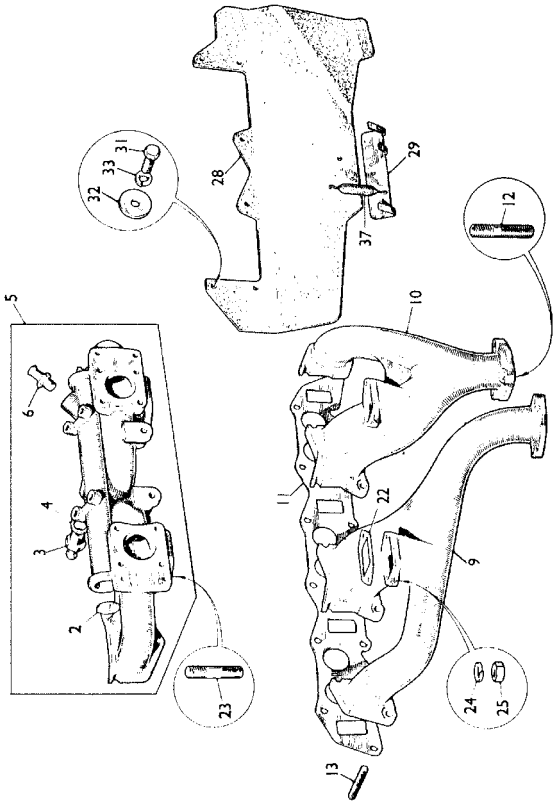
Illus. No.	DESCRIPTION	Part No.	Quantity	Change Point	REMARKS
<b>ENGINE—continued</b>					
<b>WATER PUMP PULLEY—FAN—BELT</b>					
1	Pulley—fan and water pump	12B 1447	1		
2	Spacer—fan to pulley	12B 2064	1		
3	Screw—fan to spacer	65K 1839	3		Correction: was 12B 2062
4	Nut—spacer to pulley	12B 014	3		
5	Washer—spring	12B 014	3		
6	Hose—return pipe to pulley	13H 3035	3		
7	Clip—hose (plastic)	13H 1840	1		
<b>WATER HOSES—PIPES</b>					
8	Hose—water pump to radiator	12B 2477	1		
9	Clip	HCS 130	2		
10	Pipe—water return (with clip)	AHC 563	1		
11	Bolt—return pipe to head	HZS 0810	1		
12	Washer—spring	LWZ 308	1		
13	Washer—return pipe to head	LWZ 308	1		
14	Hose—connecting—pipe to adaptor	AHC 291	1		
15	Clip	AHC 190	2		
<b>OIL GAUGE PIPE UNION</b>					
16	Union—oil gauge pipe	2A 869	1		
17	Washer—oil pipe union	AEC 787	1		
<b>ENGINE NAME PLATE</b>					
18	Plate—engine name—'MG'	12G 926	1		
<b>WATER PUMP</b>					
19	Pump assembly—water (with hub)	12B 1440	1		
20	Bearing (with spindle)	NSP	1		
21	Wire—bearing locating	12A 1395	1		
22	Vane	2A 778	1		
23	Seal—water pump	12B 1443	1		
24	Screw—lubricating point	13H 3875	1		
25	Washer (fibre)	65K 1433	1		
26	Hub—fan and water pump pulley	12B 1440	1		
27	Clip	12B 1440	1		
28	Screw—pump to crankcase	12B 1444	5		
29	Washer—spring	HWZ 305	5		
30	Adaptor—heater to pump	12A 922	1		
31	Adaptor—by-pass	11K 8309	1		
32	Washer—by-pass	12B 1444	2		
33	Hose—by-pass	12B 1448	2		
34	Washer—by-pass	12B 1448	2		
35	Clip—by-pass hose	12B 1868	2		

Thus. No.	DESCRIPTION	Part No.	Quantity	Change Point	REMARKS
-----------	-------------	----------	----------	--------------	---------

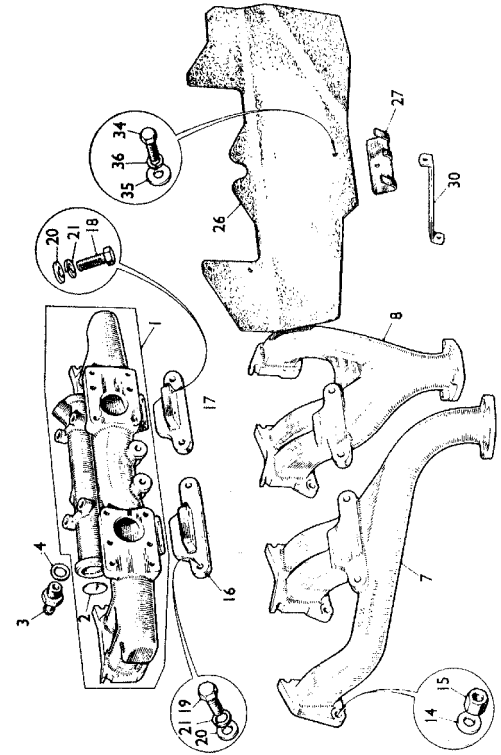
ENGINE—continued

INLET AND EXHAUST MANIFOLDS—HEAT SHIELD

1	Manifold—inlet	112B 1831	1		
2	Plug—welder	12H 1406	2	28G	
3	Washer—plain	12K 7488	1		
4	Washer—adaptor (fibre)	12K 7488	1		
5	Manifold—inlet	112B 1841	1		
6	Plug—welder	12K 8169	1		
7	Adaptor—breather tube	12H 1406	1	28GA	
8	Adaptor—brake servo	12K 7489	1		
9	Adaptor—brake servo	12K 8342	1		
10	Manifold—manifold	112B 1829	1	28G	
11	Front	112B 1830	1		
12	Rear	112B 2496	1	28GA	
13	Gasket—manifold to head	112B 2497	1		
14	Stud—exhaust pipe	AEH 184	6		
15	Stud—manifold to head	HWZ 2014	16		
16	Washer—plain	HWZ 2014	16		
17	Nut	AEC 260	16		
18	Connector—front hot spot	112B 1833	1		
19	Connector—rear hot spot	112B 1834	1		
20	Screw—hot spot—long	HCZ 0610	4	28G	
21	Screw—hot spot—short	ZCS 0609	4		
22	Washer—plain	PWZ 305	8		
23	Washer—spring	PWZ 305	8		
24	Washer—hot spot	112B 1878	2	28GA	
25	Stud	CHS 3010	4		
26	Washer—spring	LWZ 305	4		
27	Nut	FNN 105	4		
28	Shield—heat	112B 2317	1	28G	
29	Shield—heat	112B 1948	1		
30	Bracket—heat anchor	112B 1948	1		
31	Bracket—heat shield	112B 2058	1	28GA	
32	Screw—shield to manifold	ZCS 0402	6		
33	Washer—plain	PWZ 404	6		
34	Washer—spring	LWZ 204	6		
35	Bolt—plate and bracket to shield	HZS 0406	1		
36	Washer—plain	PWZ 204	1		
37	Washer—spring	LWZ 404	1		
38	Spring—cabarettor to shield	ACH 70	12		



61322



Illus. No.	DESCRIPTION	Part No.	Quantity	Change Point	REMARKS
------------	-------------	----------	----------	--------------	---------

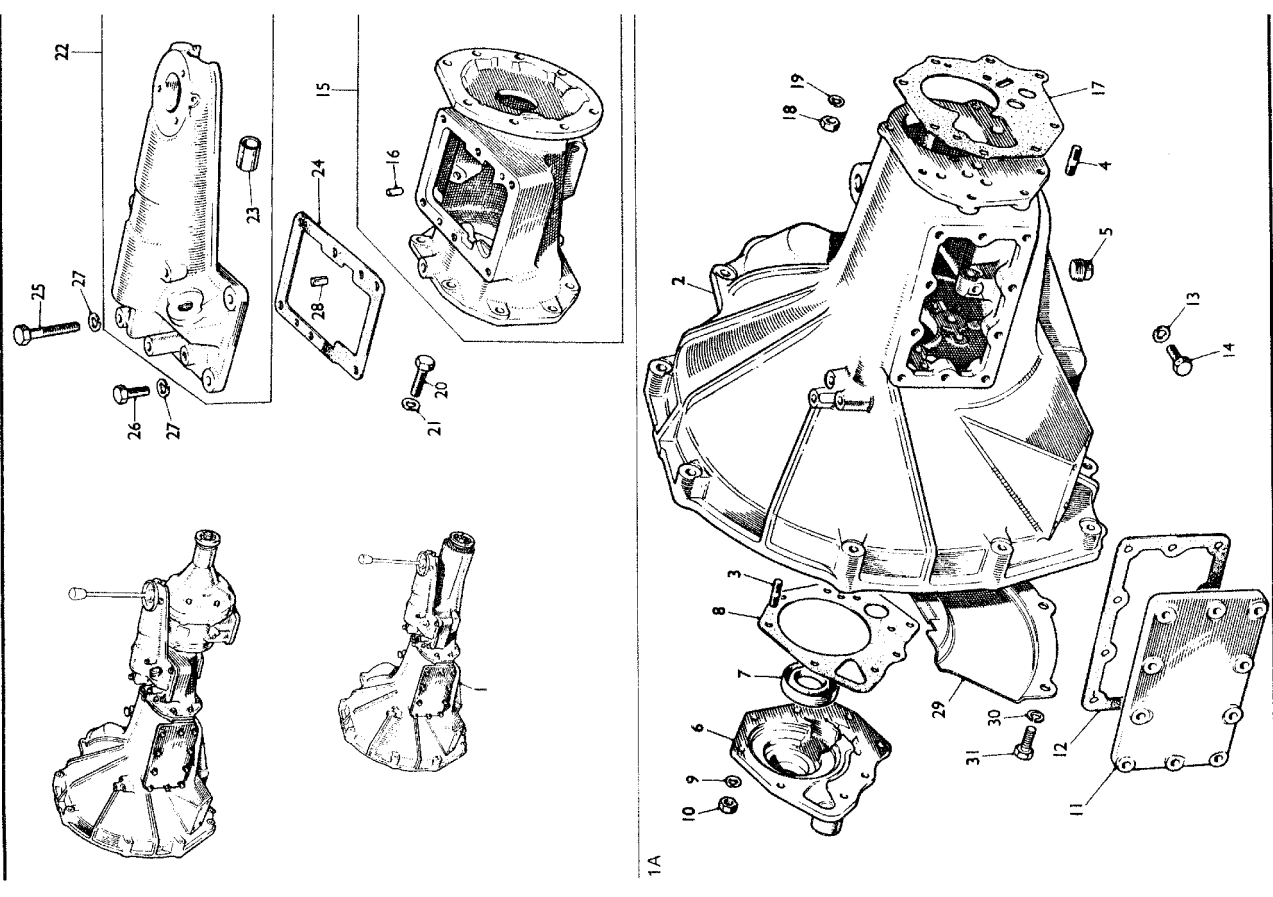
**GEARBOX**  
**GEARBOX (4-SPEED SYNCHROMESH)**

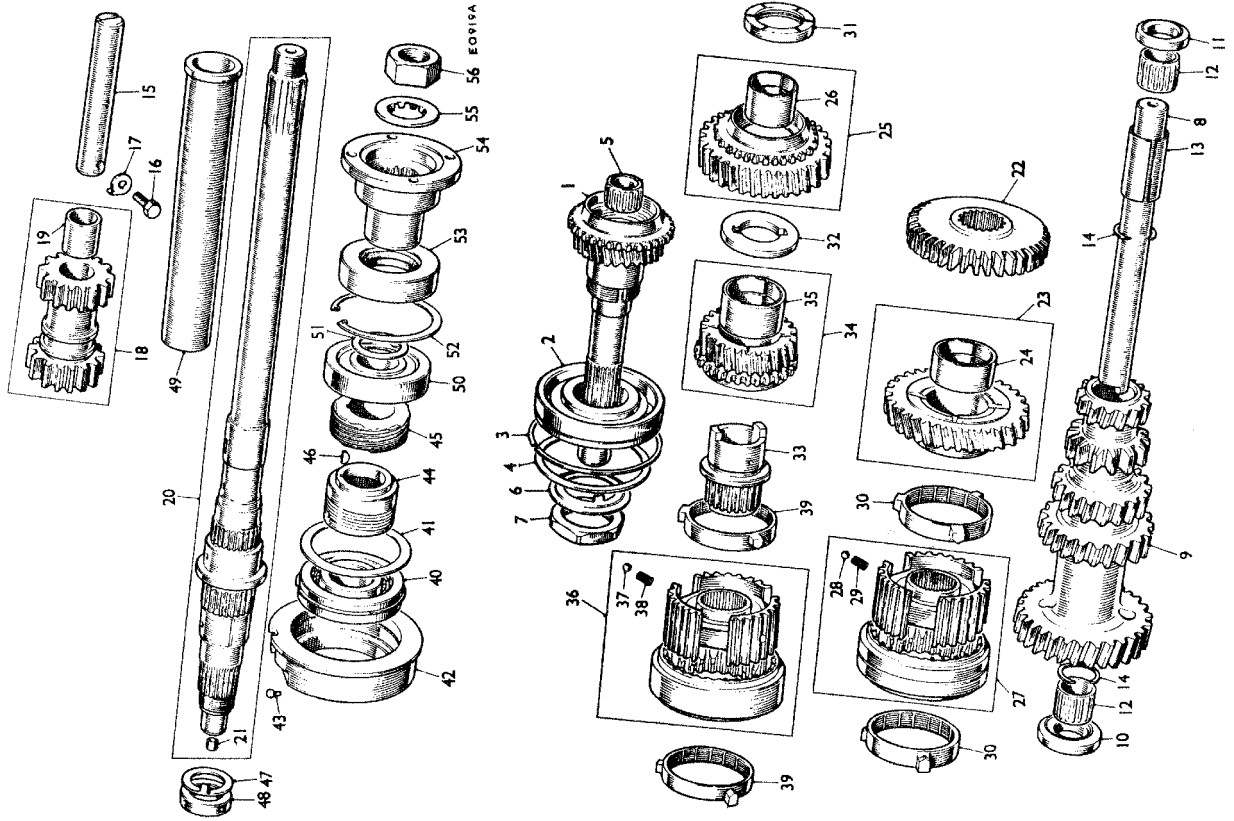
1 Gearbox assembly ..... 22B 438 ..... 1

**GEARBOX**  
**(4-SPEED SYNCHROMESH WITH OVERDRIVE)**

1A	Gearbox assembly	22B 411	1		
2	Casing	22B 614	1		
3	Stud—front cover	CHS 0511	8		
4	Stud—overdrive adaptor	CHS 2612	3		
5	Plug—drain	2K 6880	1		
6	Cover—front	22B 384	1		
7	Seal—oil	22B 245	1		
8	Washer—spring	LWZ 306	8		
9	Nut	FNZ 106	8		
10	Cover—side	22B 309	1		
11	Gasket	22B 319	1		
12	Washer—spring	LWN 306	10		
13	Screw	63K 147	10		
14	Adaptor—overdrive	22B 310	1		
15	Gasket	AEC 3101	1		
16	Nut	22B 404	1		
17	Gasket	FNZ 106	3		
18	Washer—spring	LWZ 306	3		
19	Screw	H CZ 0510	5		
20	Washer—spring	LWZ 306	5		
21	Housing—remote control	22B 322	2		
22	Gasket	22B 372	2		
23	Screw	H CZ 0518	4		
24	Screw	ZCS 0508	2		
25	Washer—spring	LWZ 306	6		
26	Dowel—remote control housing	AEC 3101	2		
27	Guard—stone clutch housing	22B 565	1		
28	Washer—spring	LWZ 306	4		
29	Screw	ZCS 0508	4		
30	Screw	ZCS 0508	4		
31	Screw	ZCS 0508	4		

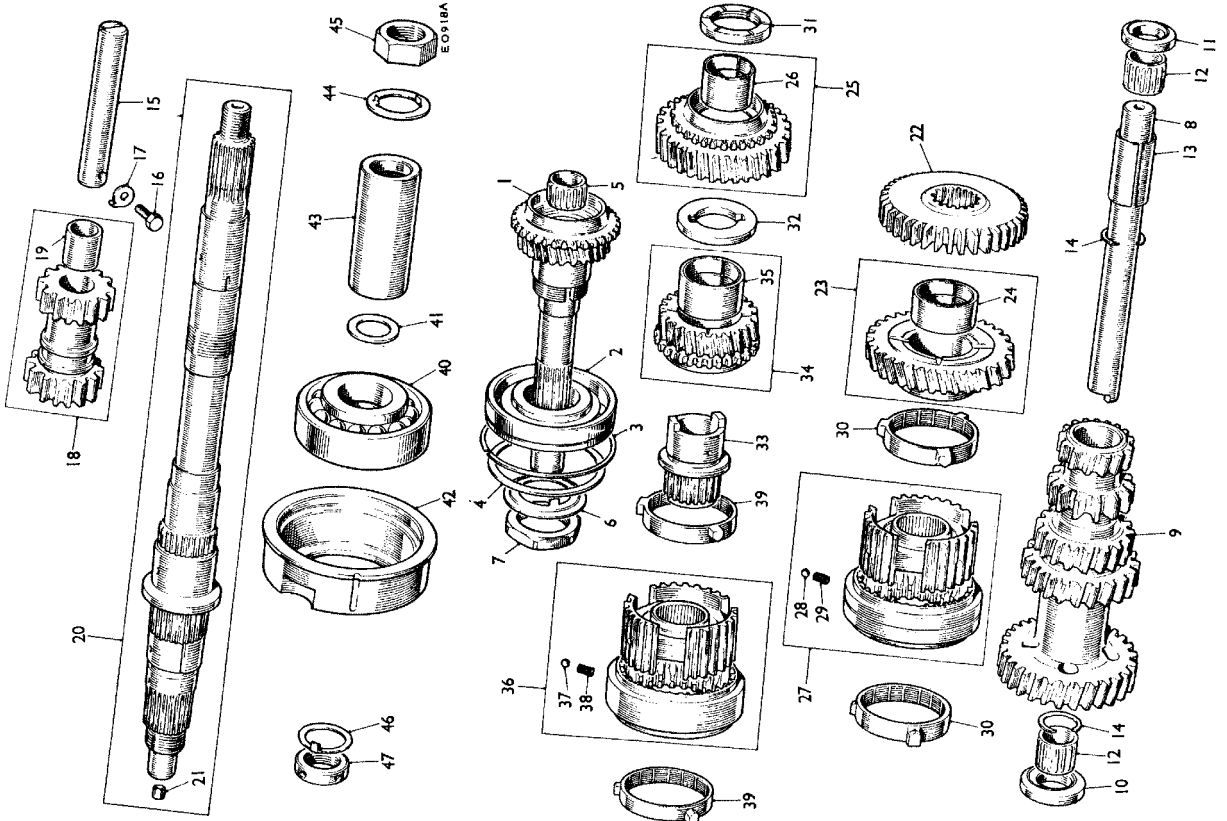
Correction: was 22B 394





Illustr. No.	DESCRIPTION	Part No.	Quantity	Change Point	REMARKS
1	Shaft—1st motion	22B 560	1		
2	Bearing—ball	6K 777	1		
3	Ring—spring	6K 780	1		
4	Shim—1st motion shaft—002* [-0.01 mm]	6K 778	A/R		
5	Shim—1st motion shaft—004 [-0.02 mm]	6K 779	A/R		
6	Washer—needle roller	22B 774	1		
7	Washer—lock	22B 788	1		
8	Nut—1st motion shaft	22B 356	1		
9	Layshaft	22B 280	1		
10	Washer—lock	22B 667	1		
11	Washer—thrust—laygear rear	22B 301	1		
12	Washer—thrust—laygear rear	22B 302	A/R		
13	Shim—1st motion shaft—002* [-0.01 mm]	22B 303	A/R		
14	Shim—1st motion shaft—004 [-0.02 mm]	22B 304	A/R		
15	Shim—1st motion shaft—006 [-0.03 mm]	22B 305	A/R		
16	Shim—1st motion shaft—008 [-0.04 mm]	22B 306	A/R		
17	Shim—1st motion shaft—010 [-0.05 mm]	22B 307	A/R		
18	Shim—1st motion shaft—012 [-0.06 mm]	22B 308	A/R		
19	Shim—1st motion shaft—014 [-0.08 mm]	22B 309	A/R		
20	Shim—1st motion shaft—016 [-0.10 mm]	22B 310	A/R		
21	Shim—1st motion shaft—018 [-0.12 mm]	22B 311	A/R		
22	Shim—1st motion shaft—020 [-0.14 mm]	22B 312	A/R		
23	Shim—1st motion shaft—022 [-0.16 mm]	22B 313	A/R		
24	Shim—1st motion shaft—024 [-0.18 mm]	22B 314	A/R		
25	Shim—1st motion shaft—026 [-0.20 mm]	22B 315	A/R		
26	Shim—1st motion shaft—028 [-0.22 mm]	22B 316	A/R		
27	Shim—1st motion shaft—030 [-0.24 mm]	22B 317	A/R		
28	Shim—1st motion shaft—032 [-0.26 mm]	22B 318	A/R		
29	Shim—1st motion shaft—034 [-0.28 mm]	22B 319	A/R		
30	Shim—1st motion shaft—036 [-0.30 mm]	22B 320	A/R		
31	Shim—1st motion shaft—038 [-0.32 mm]	22B 321	A/R		
32	Shim—1st motion shaft—040 [-0.34 mm]	22B 322	A/R		
33	Shim—1st motion shaft—042 [-0.36 mm]	22B 323	A/R		
34	Shim—1st motion shaft—044 [-0.38 mm]	22B 324	A/R		
35	Shim—1st motion shaft—046 [-0.40 mm]	22B 325	A/R		
36	Shim—1st motion shaft—048 [-0.42 mm]	22B 326	A/R		
37	Shim—1st motion shaft—050 [-0.44 mm]	22B 327	A/R		
38	Shim—1st motion shaft—052 [-0.46 mm]	22B 328	A/R		
39	Shim—1st motion shaft—054 [-0.48 mm]	22B 329	A/R		
40	Shim—1st motion shaft—056 [-0.50 mm]	22B 330	A/R		
41	Shim—1st motion shaft—058 [-0.52 mm]	22B 331	A/R		
42	Shim—1st motion shaft—060 [-0.54 mm]	22B 332	A/R		
43	Shim—1st motion shaft—062 [-0.56 mm]	22B 333	A/R		
44	Shim—1st motion shaft—064 [-0.58 mm]	22B 334	A/R		
45	Shim—1st motion shaft—066 [-0.60 mm]	22B 335	A/R		
46	Shim—1st motion shaft—068 [-0.62 mm]	22B 336	A/R		
47	Shim—1st motion shaft—070 [-0.64 mm]	22B 337	A/R		
48	Shim—1st motion shaft—072 [-0.66 mm]	22B 338	A/R		
49	Shim—1st motion shaft—074 [-0.68 mm]	22B 339	A/R		
50	Shim—1st motion shaft—076 [-0.70 mm]	22B 340	A/R		
51	Shim—1st motion shaft—078 [-0.72 mm]	22B 341	A/R		
52	Shim—1st motion shaft—080 [-0.74 mm]	22B 342	A/R		
53	Shim—1st motion shaft—082 [-0.76 mm]	22B 343	A/R		
54	Shim—1st motion shaft—084 [-0.78 mm]	22B 344	A/R		
55	Shim—1st motion shaft—086 [-0.80 mm]	22B 345	A/R		
56	Shim—1st motion shaft—088 [-0.82 mm]	22B 346	A/R		

ABBREVIATIONS AND SYMBOLS  
A/R As required

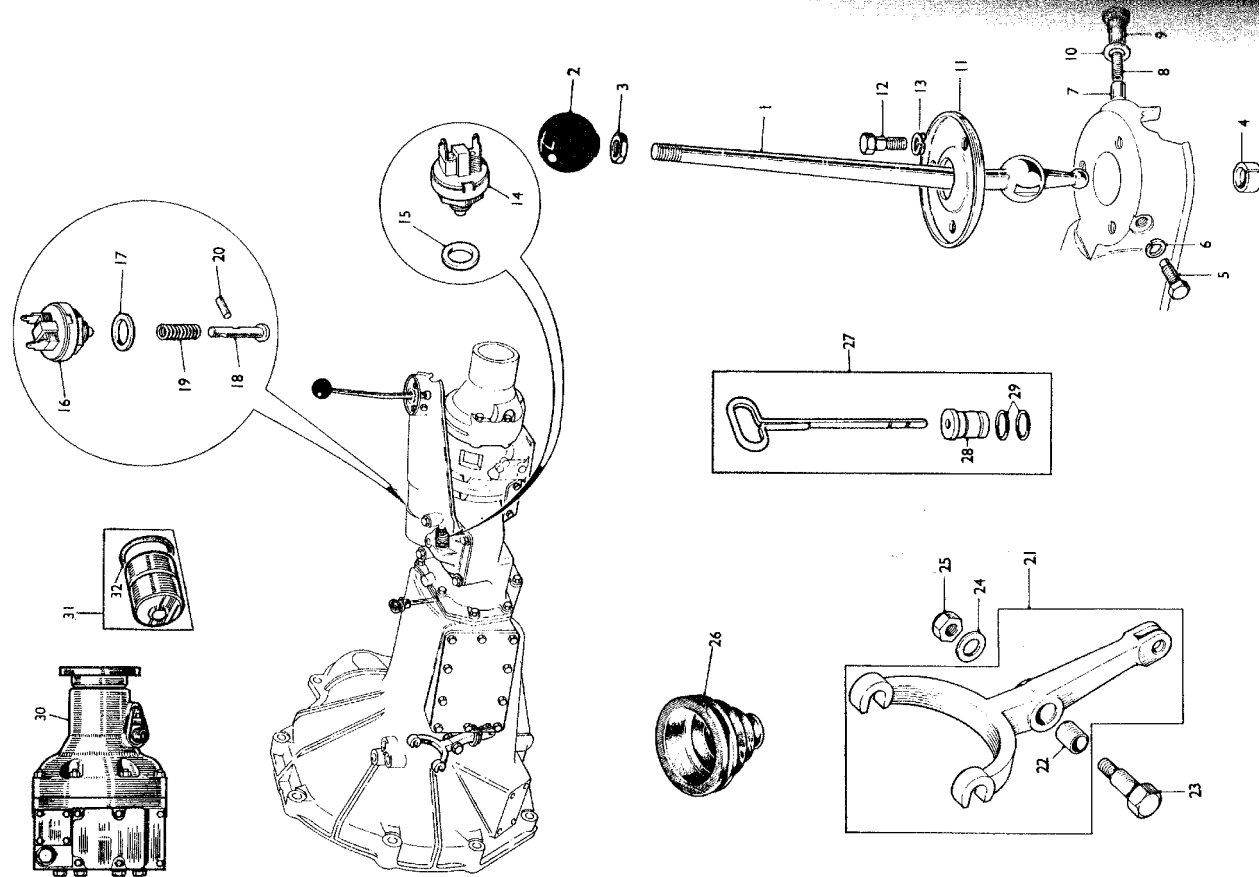


Illustr. No.	DESCRIPTION	Part No.	Quantity	Change Point	REMARKS
1	Shaft—1st motion	*22B 564	1		
2	Bearing	*4K 777	1		
3	Ring—spring	*4K 780	1		
4	Shaft—3rd motion	*4K 778	A/R		
5	Bearing—needle roller	*22H 774	1		
6	Washer—locking	*22H 788	1		
7	Nut	*22B 358	1		
8	Layshaft	*22B 280	1		
9	Laygear	*22B 565	1		
10	Washer—thrust—front	*22B 501	1		
11	Washer—thrust—rear	*22B 302	A/R		
12	Tube—distance—bearing	*154* to *168* [3.91 to 3.96 mm]	1		
13	Tube—distance—roller	*157* to *168* [3.99 to 4.01 mm]	1		
14	Shaft—1st speed—mainshaft	*22B 303	A/R		
15	Shaft—2nd speed—mainshaft	*160* to *181* [4.06 to 4.09 mm]	A/R		
16	Shaft—3rd speed—mainshaft	*183* to *184* [4.14 to 4.17 mm]	2		
17	Spring	*22H 523	2		
18	Ring—bush—1st and 2nd speed	*22H 473	2		
19	Ring—bush—3rd and 4th speed	*22H 474	2		
20	Ring—bush—mainshaft	*22H 467	2		
21	Screw—shaft locking	*1G 3581	1		
22	Washer—locking	*1B 3583	1		
23	Gear—reverse	*22H 308	1		
24	Bush	*22H 310	1		
25	Shaft—3rd motion	*11A 1062	1		
26	Gear—reverse—mainshaft	*22H 293	1		
27	Bush	*22H 281	1		
28	Bush	*22B 506	1		
29	Spring	*22H 274	1		
30	Ring—bush—1st and 2nd speed	*22H 1167	2		
31	Ring—bush—3rd and 4th speed	*22H 1167	2		
32	Ring—bush—mainshaft	*166G 397	2		
33	Washer—thrust—2nd speed gear	*22H 276	1		
34	Washer—thrust—interlocking	*22H 1084	1		
35	Sleeve—mainshaft	*22H 1082	1		
36	Gear—3rd speed	*22B 568	1		
37	Bush	*22H 281	1		
38	Ball	*22H 1168	1		
39	Spring	*22H 109	2		
40	Ring—bush—3rd and 4th speed	*186C 394	2		
41	Bearing—3rd motion shaft	*22H 283	1		
42	Housing—bearing	*22B 464	A/R		
43	Washer—locking	*22B 465	A/R		
44	Washer—locking	*22B 466	A/R		
45	Nut	*22B 467	1		
46	Washer—locking—front	*22B 516	1		
47	Nut—locking—3rd motion shaft	*22B 515	1		
		*22H 773	1		
		*22H 772	1		

Correction, was 22B 261 or 22B 282

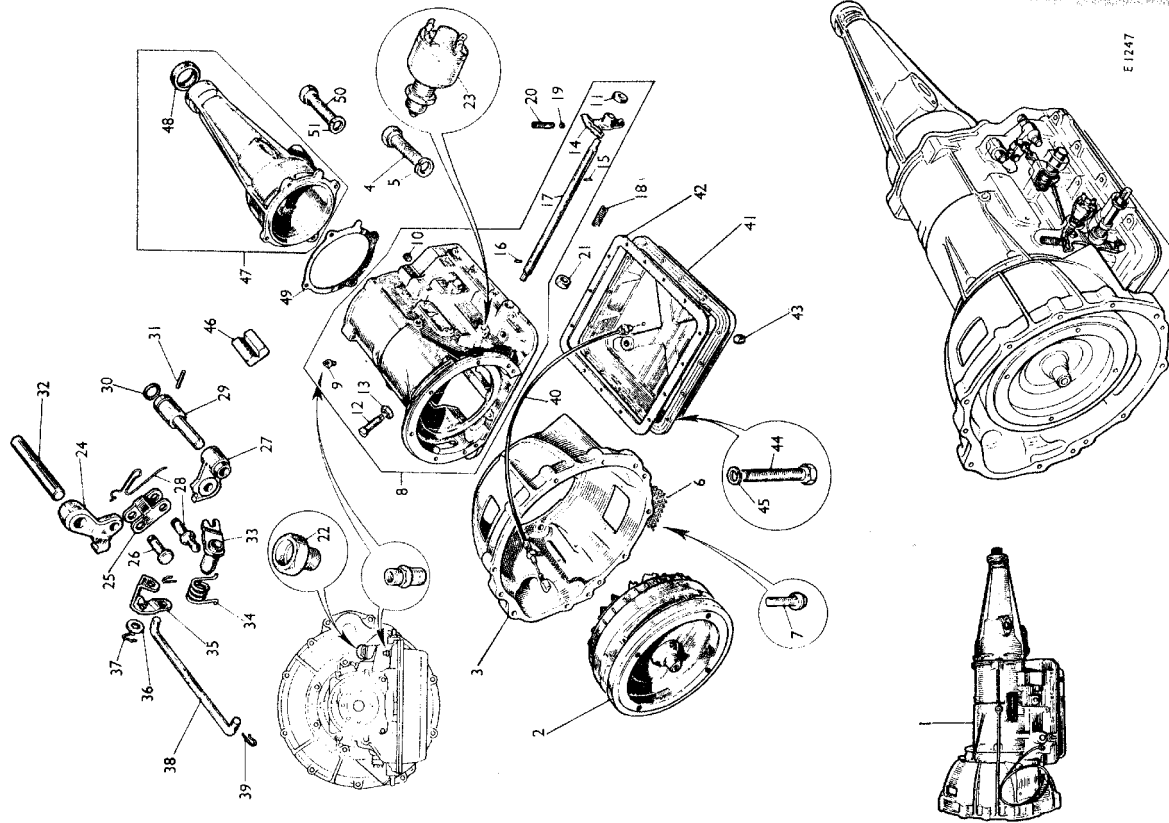
ABBREVIATIONS AND SYMBOLS  
A/R As required





Illus. No.	DESCRIPTION	Part No.	Quantity	Change Point	REMARKS
1	Lever—change speed	22B 419	1		
2	Knob—lever	17H 16	1		
3	Nut—locking	AEC 402	1		
4	Bolt—locking	22H 16	1		
5	Washer—locking	1H 3101	2		
6	Pin—lever locating	LWZ 304	2		
7	Washer—spring	22A 84	1		
8	Spring—lever damping	AEC 3123	1		
9	Pin—plunger	22C 81	1		
10	Cap—retaining—plunger	22C 81	1		
11	Washer—cap	22B 622	1		
12	Washer—seat	22B 624	1		
13	Screw—cover	22B 625	3		
14	Washer—spring—double coil	2K 2645	3		
15	Switch—reverse light	13H 2154	1		
16	Washer—switch	1B 3664	1		
17	Switch—overdrive isolation	13H 2154	1		
18	Washer—switch	13H 2154	1		
19	Washer—switch	13H 2154	1		
20	Pin—plunger locating	22B 604	1		
21	Pin—plunger locating	22H 576	1		
22	Lever—clutch withdrawal	22B 852	1		
23	Bush	11G 8196	1		
24	Washer—bolt	11G 8196	1		
25	Nut	11G 8196	1		
26	Washer—nut	11G 8196	1		
27	Key—adjust lever	22B 450	1		
28	Indicator assembly—oil level	22B 549	1		
29	Bobbin	AEC 3459	1		
30	Ring—packing	AEC 3461	2		
31	Unit—overdrive	22B 897	1		
32	Piston	37H 1933	1		
	O' ring	17H 5874	1		

GEARBOX (4-SPEED SYNCHROMESH WITH OVERDRIVE)—continued



E 1247

Qty. No.	DESCRIPTION	Part No.	Quantity	Change Point	REMARKS
<b>GEARBOX (AUTOMATIC)</b>					
1	Gearbox and converter assembly	422E 421	1		Correction; was 22B 420
2	Converter and front cover	427H 2619	1		
3	Housing—converter	422E 360	1		Correction; was 27H 5692
4	Screw	NSP	1		
5	Washer—spring	LWN 306	6		
6	Gasket—oil pan	427H 6187	2		
7	Screw	427H 6868	4		
8	Transmission assembly	NSP	1		Correction; was 18C 8280
9	Gas assembly—main pipe connectors	18C 8214	1		
10	Connectors—tube outlet—oil pipe	427H 8605	2		
11	Plug—pipe	47H 6842	1		
12	Pin—brake anchor	NSP	1		
13	Pin—brake lever—parking brake	NSP	1		
14	Seal—oil—control shaft	17H 6848	2		
15	Screw—adjusting—rear servo	427H 3844	1		
16	Nut—lock	427H 8578	1		
17	Pin—manual valve detent	427H 6880	1		
18	Pin—retaining	427H 8298	1		Correction; was 27H 9388
19	Shaft—manual valve	427H 6579	1		
20	Spring—manual valve bias	427H 3295	1		
21	Ball	BLS 112	1		
22	Spring—manual valve detent	427H 3299	1		
23	Adapter—tube connector	47H 6897	1		
24	Switch—inhibitor	427H 8683	1		
25	Pawl—parking brake	17H 3373	1		
26	Link—toggle	17H 3374	1		
27	Lever—toggle link	17H 3375	1		
28	Pin—toggle (with spring)	17H 3377	1		
29	Pin—toggle	17H 3378	1		
30	Ring—oil	17H 3382	1		
31	Pin—roll	17H 9208	1		
32	Pin—parking brake anchor	17H 3384	1		
33	Lever—toggle lift	17H 3385	1		
34	Spring—toggle lever	17H 3386	1		
35	Lever—torsion	17H 3387	1		
36	Washer—retaining	17H 3388	1		
37	Link—parking brake	17H 3391	1		
38	Clip—linkage rod	17H 3631	1		
39	Cable—throttle valve control	17H 3390	2		
40	Pin—oil	427H 8595	1		
41	Gasket—oil pan	427H 3300	1		
42	Plug—drain	427H 3301	1		
43	Plug—drain	427H 3302	1		
44	Washer—spring	NSG 0906	15		
45	Washer—spring	LWZ 205	15		
46	Magnet	427H 2920	1		
47	Housing assembly—extension	427H 8598	1		
48	Seal—oil	427H 3309	1		
49	Gasket—extension housing	427H 3310	1		
50	Bolt—extension housing to main case	NSG 0908	4		
51	Washer—spring	LWN 306	4		

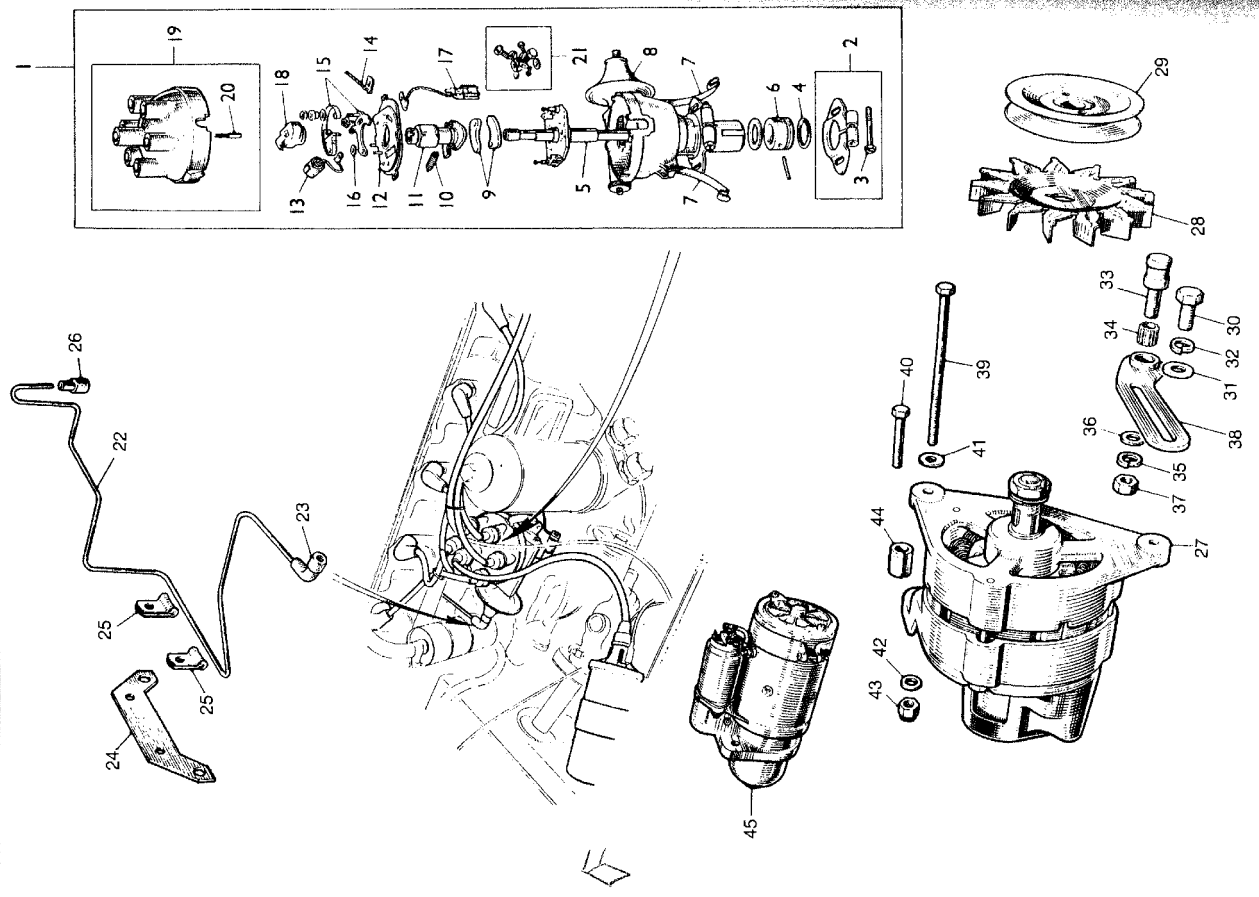
**ABBREVIATIONS AND SYMBOLS**  
 NSP Non-serviceable part

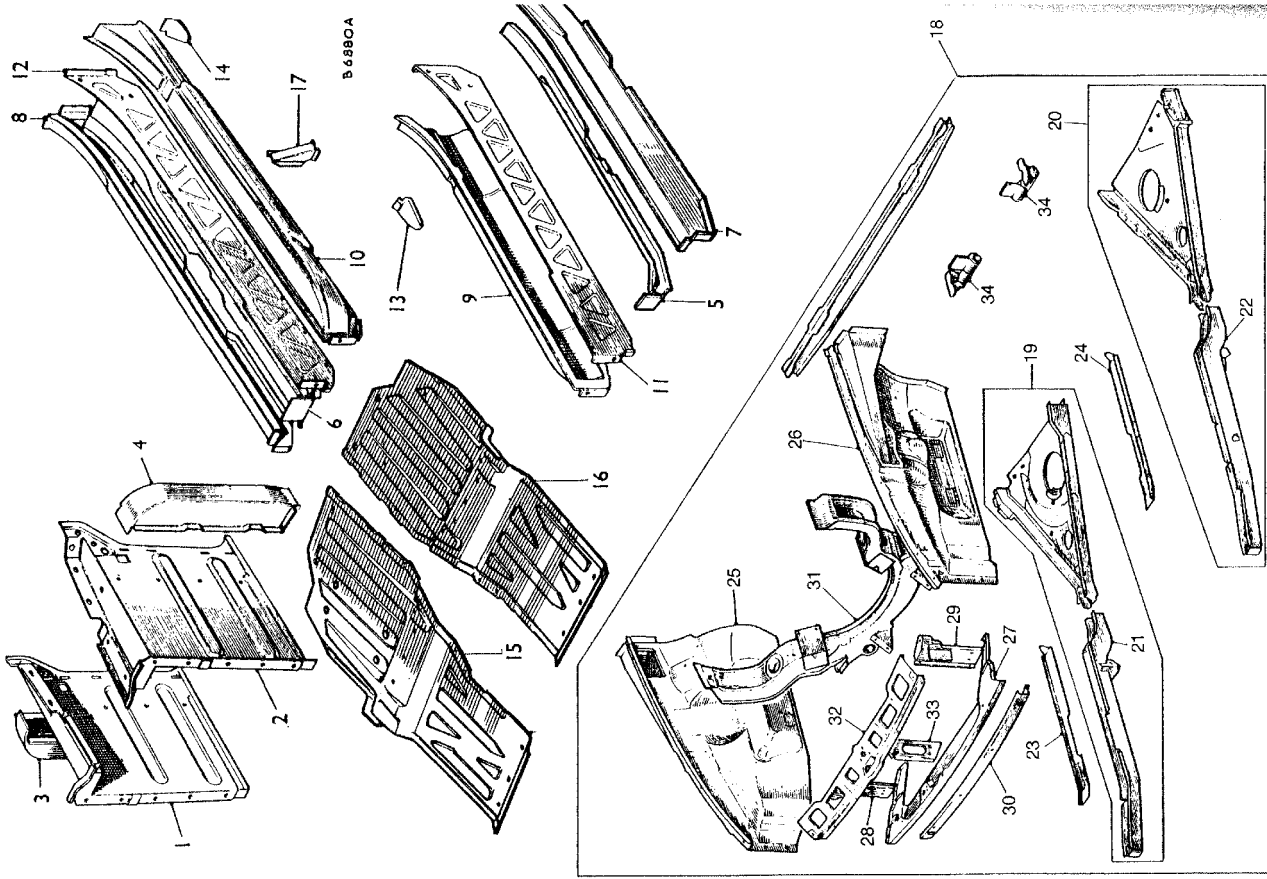
Illus. No.	DESCRIPTION	Part No.	Change Point	REMARKS
------------	-------------	----------	--------------	---------

ELECTRICAL EQUIPMENT

DISTRIBUTOR

1	Distributor assembly	12B 2610		Correction: was 12B 1688
2	Plate assembly—clamping	3H 2138		
3	Screw—clamping (with nut)	37H 5006		
4	Seal—O' ring oil	27H 6547		
5	Shaft—(with action plate)	17H 9416		
6	Dog—driving	47H 6249		
7	Clip—cap retaining	27H 2302		
8	Washer—unit	37H 5490		Correction: was 27H 7645
9	Weight	37H 2907		
10	Spring—automatic advance—set	17H 6970		Correction: was 27H 9083
11	Can	17H 5469		Correction: was 27H 2886
12	Plate—contact breaker base	47H 6250		
13	Condenser	17H 5931		
14	Lead—earth	17H 5931		
15	Connector—assisting—terminal	17H 6942		
16	Washer—assisting—terminal	17H 6942		
17	Terminal (with bush and lead)	37H 6478		
18	Arm—rotor	17H 5110		
19	Cover assembly—moulded	27H 9082		
20	Brush—set (with spring)	17H 5086		
21	Sundry parts—set	17H 6106		
<b>VACUUM IGNITION CONTROL PIPE</b>				
22	Pipe—vacuum—ignition control	12B 2087		
23	Elbow—vacuum pipe	12B 2082		
24	Bracket—vacuum control pipe	12B 1886		
25	Clip—pipe to rear plate	11G 2013		Correction: was 12B 1886
26	Connector—control pipe (rubber)	12B 1887		
<b>ALTERNATOR (TYPE 16A—NEGATIVE EARTH)</b>				
27	Alternator assembly (less fan)	37H 2245		Correction: was 13H 4477
28	Fan—alternator	12H 2615		
29	Pulley—alternator	12H 1678		
30	Screw	2H 2092		
31	Washer—plain	1WZ 305		
32	Washer—spring	1WZ 306		
33	Link—adjusting	11B 1461		
34	Ring—adjusting—pillar	13H 3908		
35	Washer—spring	1WZ 305		
36	Washer—plain	1WZ 306		
37	Nut	1FNZ 106		
38	Link—adjusting	12B 1461		
39	Bolt—alternator front to side cover	1HEZ 0540		
40	Bolt—alternator rear to side cover	1WZ 0814		
41	Washer—plain (small)	1WZ 106		
42	Washer—plain (small)	1WZ 106		
43	Nut—lock	1LNZ 205		
44	Bush—split—alternator bracket	12B 1460		
45	Starter assembly	13H 3000		

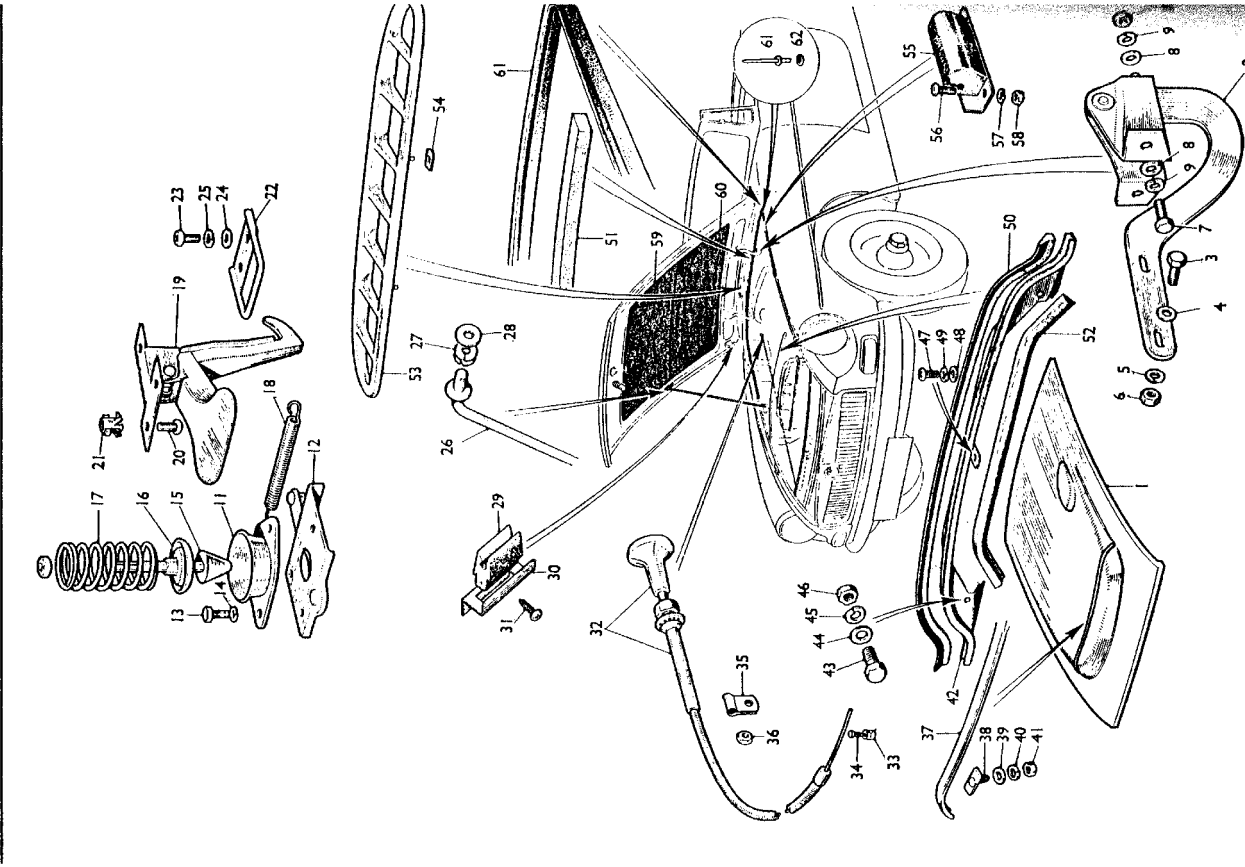




Illus. No.	DESCRIPTION	Part No.	Quantity	Change Point	REMARKS
<b>BODY SHELL</b>					
1	Panel	HZA 408	1		
2	Dash—side—RH	HZA 404	1		
3	Dash—side—LH	HZA 442	1		
4	A post—RH	HZA 442	1		
5	A post—LH	HZA 442	1		
6	Side member—top—RH	HZA 1402	1		
7	Side member—bottom—RH	HZA 1408	1		
8	Side member—inner—RH	HZA 1148	1		
9	Side member—outer—RH	HZA 1149	1		
10	Sill—closing—RH	HZA 496	1		
11	Sill—closing—LH	HZA 497	1		
12	Sill—closing—RH	HZA 188	1		
13	Sill—closing—LH	HZA 189	1		
14	Filler—sill—RH	HZA 280	1		
15	Filler—sill—LH	HZA 281	1		
16	Main floor—RH	HZA 1854	1		
17	Main floor—LH	HZA 1855	1		
18	Reinforcement—jacking bracket	HZA 231	1		
19	End assembly—front (less dash)	HZA 589	1		
20	Side member assembly—RH	HZA 1406	1		
21	Side member assembly—LH	HZA 1407	1		
22	Side member—front—RH	HZA 1806	1		
23	Side member—front—LH	HZA 1807	1		
24	Side member—upper—RH	HZA 1100	1		
25	Side member—upper—LH	HZA 1101	1		
26	Wheel arch	HZA 1092	1		
27	Right-hand	HZA 1092	1		(C) G-CN1-101 on except Canada
28	Left-hand	HZA 1093	1		(C) G-CN1-101 to 8818 Canada
29	Right-hand	HZA 3804	1		(C) G-CN1-101 on USA, 3814 on Canada
30	Left-hand	HZA 3804	1		
31	Radiator duct	HZA 1411	1		
32	Radiator diaphragm—RH	HZA 1434	1		
33	Radiator diaphragm—LH	HZA 1435	1		
34	Cross member—front radiator duct	HZA 1405	1		
35	Platform—front suspension	HZA 1418	1		
36	Platform—bonnet-locking	HZA 1418	1		
37	Reinforcement—locking platform	HZA 1115	1		
38	Bracket—jacking	HZA 1434	2		

**ABBREVIATIONS AND SYMBOLS**  
 (C) Car number  
 LH Left-hand  
 RH Right-hand  
 † Revised information  
 ‡ This item is subject to safety regulations

Illus. No.	DESCRIPTION	Part No.	Quantity	Change Point	REMARKS
<b>BONNET AND CONTROL DETAILS</b>					
1	Lid—bonnet	HZA 1818	1		
2	Hinge—bonnet	HZA 884	2		
3	Screw	HZS 0408	4		
4	Washer—plain	PWZ 204	4		
5	Washer—spring	LWZ 204	4		
6	Nut	FNZ 104	4		
7	Screw	HZS 0405	4		
8	Washer—plain	PWZ 204	6		
9	Washer—spring	LWZ 204	6		
10	Pin—lock locating	HZA 5548	2		
11	Plate—catch	4G 8085	1		
12	Screw	HZS 0404	3		
13	Washer—spring	LWZ 204	3		
14	Pin—bonnet lock	14G 2444	1		
15	Thinable—bonnet lock	4G 8876	1		
16	Spring—bonnet lock	HZA 568	1		
17	Spring—catch plate return	HZC 2484	1		
18	Catch—safety	HZA 568	1		
19	Nut	PMZ 0808	3		
20	Screw	HZA 5617	1		
21	Bracket—safety catch	PMZ 0808	2		
22	Washer—plain	PWZ 208	2		
23	Washer—spring	LWZ 208	2		
24	Rod—bonnet prop	HZA 1458	1		
25	Washer—DC spring	PHD 7782	1		
26	Washer—plain	PH 9915	2		
27	Washer—rod (rubber)	AHH 7081	1		
28	Bracket—stop	PTZ 1004	2		
29	Screw	AHC 18	1		
30	Cable—bonnet pull control	24C 1052	1		
31	Trunnion—cable	58K 1016	1		
32	Clip	PCR 0811	3		
33	Nut	PWZ 205	2		
34	Moulding—bonnet	AHC 1817	1		
35	Plate—stud-moulding	PWZ 108	6		
36	Washer—spring	LWZ 208	6		
37	Nut	FNZ 108	6		
38	Plate—sealing—bonnet front	AHC 400	1		
39	Screw—plate to mounting bracket	HZS 0505	2		
40	Washer—plain	PWZ 105	2		
41	Washer—spring	LWZ 205	2		
42	Nut	FNZ 105	2		
43	Screw—plate to fan cowl	PHZ 108	1		
44	Washer—plain	PWZ 108	1		
45	Washer—spring	LWZ 208	1		
<b>Seal</b>					
50	Bonnet front	AHC 404	1		
51	Bonnet rear	AHH 802	1		
52	Bonnet rear	AHC 405	1		
53	Rivet—bonnet seal—rear	KXR 0416	4		
54	Washer—cup	FWP 906	4		
55	Grille—air intake	AHH 8102	1		
56	Push-on fix—grille	BHA 4082	0		
57	Fix—blind	13H 217	6		Use 13H 217 for this application
58	Buffer—bonnet (rubber)	PHZ 828	A/R		
59	Screw	PHZ 808	A/R		
60	Washer—spring	LWZ 208	A/R		
61	Pad—insulating—bonnet lid—front	FNZ 108	A/R		
62	Pad—insulating—bonnet lid—rear	AHH 0781	1		
63	Pad—insulating—bonnet lid—rear	AHC 486	1		

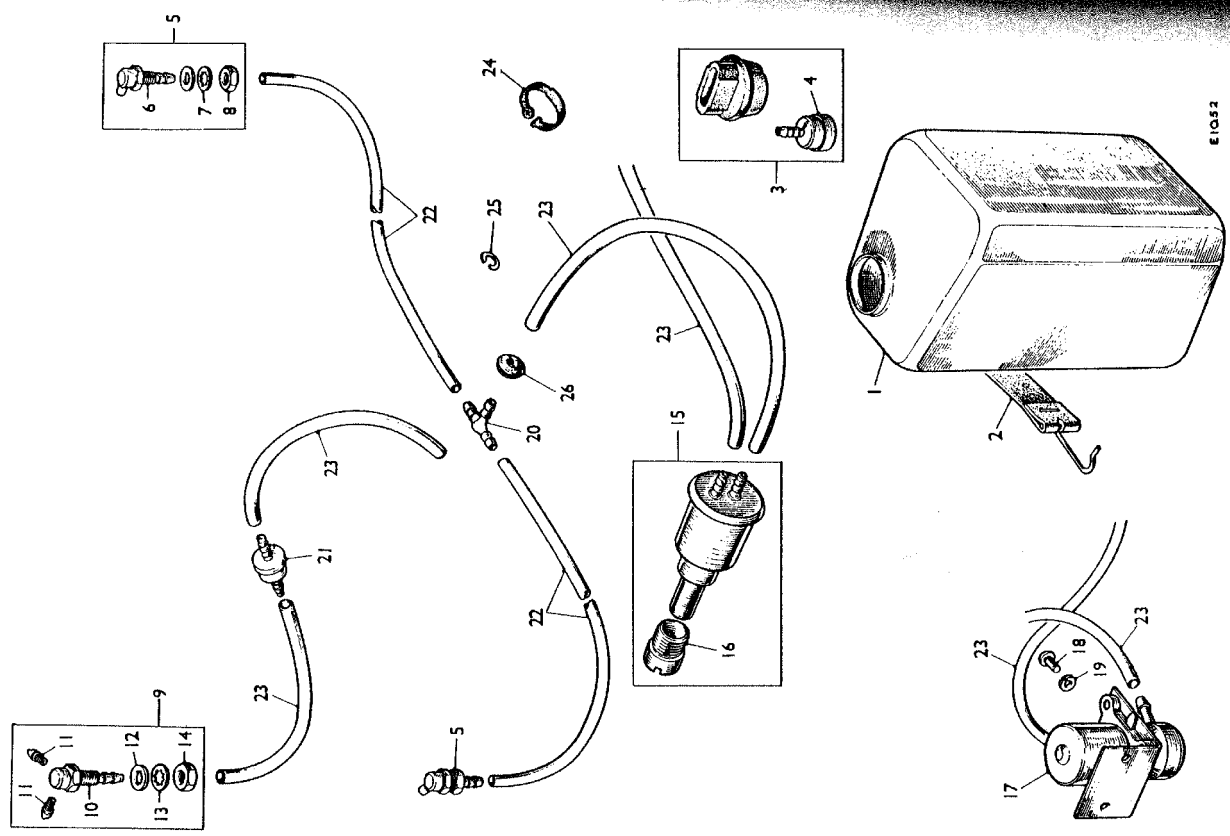


**ABBREVIATIONS AND SYMBOLS**  
 DC Double-coat    † Revised information    ‡ This item is subject to safety regulations    Issue 5

Issue 3    36    37

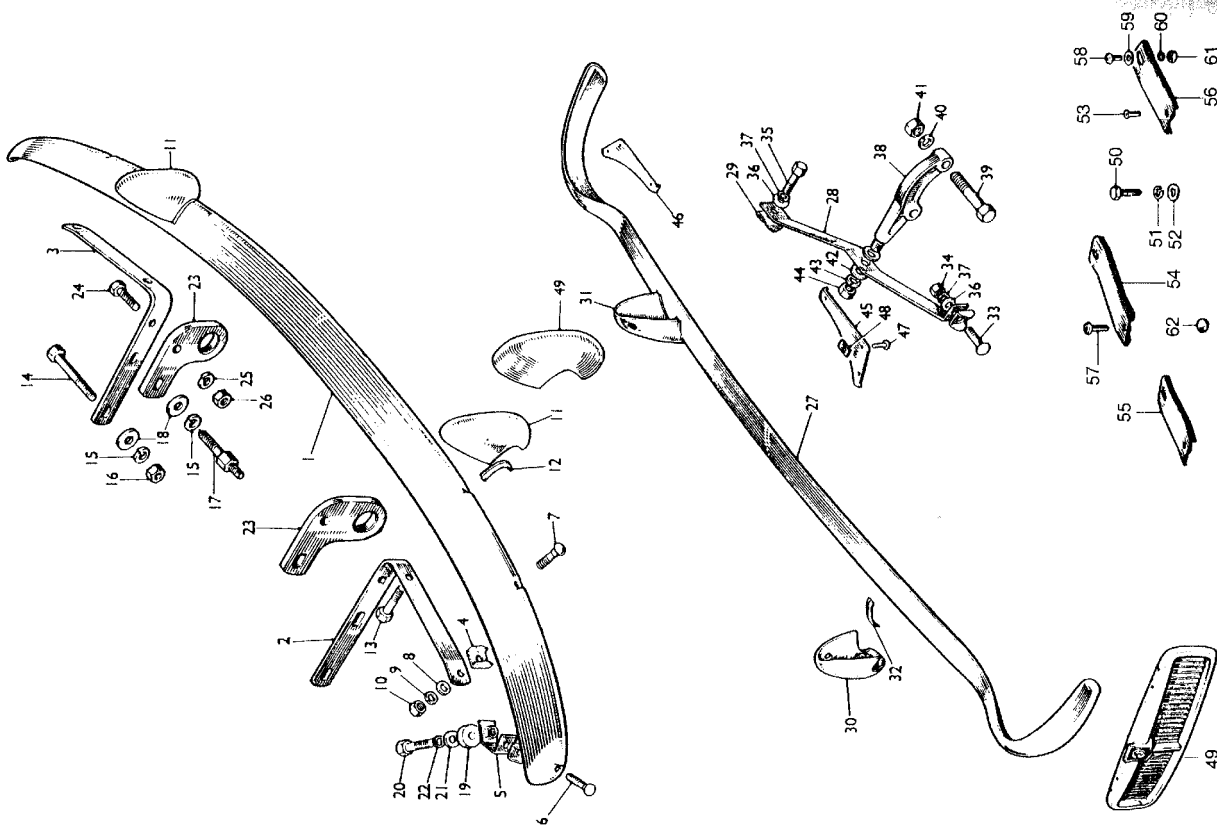
Illus. No.	DESCRIPTION	Part No.	Quantity	Change Point	REMARKS
<b>WINDSCREEN WASHER</b>					
1	Container	AHC 868	1		
2	Strap—container	AHC 364	1		
3	Plug assembly—cap	84G 1289	1		
4	Valve	18H 440	1		
5	Jet assembly	AFH 0646	2		
6	Washer—shakeproof	18H 440	2		
7	Nut	LWZ 464	2		
8	Nut	FNZ 104	2		
9	Jet assembly—twin	BHA 4544	1		
10	Adaptor	27H 8898	1		
11	Nozzle	27H 8886	2		
12	Washer	187H 8821	1		
13	Washer—shakeproof	187H 8689	1		
14	Nut	27H 8689	1		
15	Control assembly	187H 8689	1		
16	Ring—locking	184G 1301	1		
17	Pump and bracket	118H 8689	1		
18	Screw	1PMZ 0600	2		
19	Washer—spring	1LWZ 203	2		
20	Connection—8-way	84G 1289	1		
21	Valve—line	BHA 4410	1		
22	Tubing— $\frac{1}{2}$ " (4.8 mm) OD	27H 8708	A/R		Supplied in multiples of feet
	2-way connection to RH jet—20"				
	(51 cm) long				
	3-way connection to LH jet—12"				
	(31 cm) long				
23	Tubing— $\frac{1}{2}$ " (6.4) OD	27H 2879	A/R		Supplied in multiples of feet
	2-way connection to 8-way connection				
	9' (28 cm) long				
	Line valve to jet—6" (15.5 cm)				
	long				
	Line valve to pump—6" (15.5 cm)				
	long				
	Control to container—102" (261				
	cm) long				
24	Strap—tubing to oil pipe (rubber)	ACH 8979	1		
25	Cirdly—tubing to windscreen wiper casing	184G 1304	1		
26	Grommet	RFN 104	1		

(C) G-CNI, G-CDI-101 on  
except Canada  
(C) G-CNI-101 to 8318  
Canada, G-CDI-101 to 1488  
Canada  
(C) G-CNI, G-CDI-101 on  
USA  
(C) G-CNI-3814 on Canada  
(C) G-CDI-1484 on Canada



**ABBREVIATIONS AND SYMBOLS**  
 D Coupled or OT  
 † Revised information  
 ‡ This item is subject to safety regulations  
 § As required (C) Car number



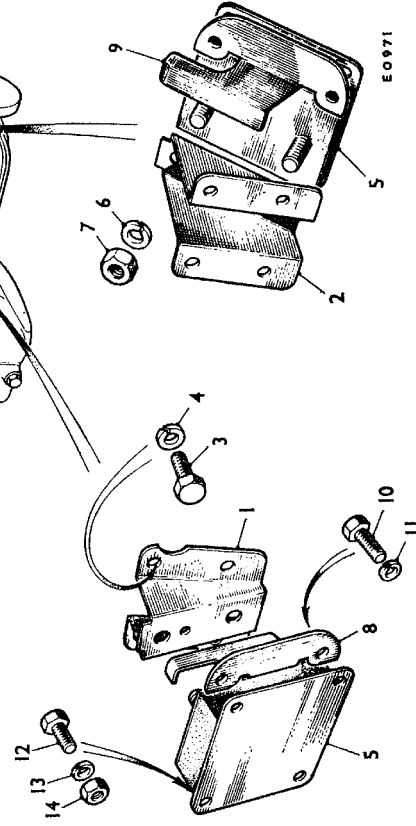
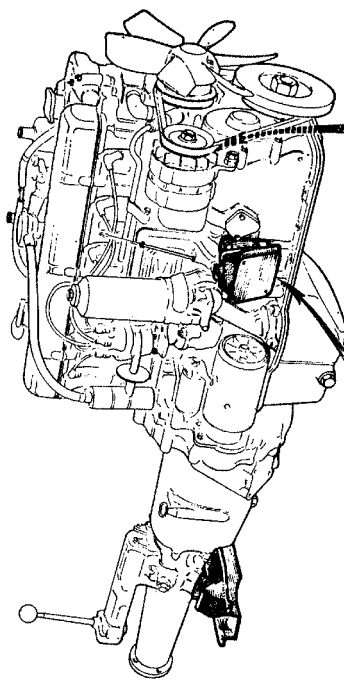


Illustr. No.	DESCRIPTION	Part No.	Quantity	Change Point	REMARKS
	<b>BUMPERS</b>				
	<b>Bumper assembly—front</b>	N.S.P.	1		
1	Bar				
2	Bumper	AHH 6208	1		
3	Spring—RH	AHH 6206	1		
4	Spring—LH	AHH 6210	1		
5	Washer—distance	AHH 6216	6		
6	Bracket—steady	AHH 6215	2		
7	Bolt—bumper bar to bracket	AHH 6216	2		
8	Bolt—bumper bar to spring bar	24G 625	2		
9	Washer—plain	AJD 7162	6		
10	Washer—spring	LWZ 206	6		
11	Nut	FNZ 106	4		
12	Over-riding—front	AHH 6816	2		
13	Moulding—4" (10.1 cm) long	87H 9871	A/R		Supplied in multiples of feet
14	Bolt	HBZ 0812	2		
15	Washer—spring	HBZ 0826	4		
16	Nut	FNZ 107	2		
17	Bolt—spring bar to body	AHC 144	2		
18	Washer—plain	FWZ 807	4		
19	Pad—steady bracket to body (rubber)	24G 625	2		
20	Screw	HZS 0810	2		
21	Washer—spring	AJD 7162	2		
22	Washer—plain	AHC 206	2		
23	Tooling eye—front	HZS 0909	2		
24	Screw	LWZ 206	2		
25	Washer—spring	FNZ 106	2		
26	Nut	N.S.P.	1		
27	<b>Bumper assembly—rear</b>				
28	Bar—bumper	AHH 6261	1		
29	Bar—spring	AHH 6250	2		
30	Washer—distance	AHH 6216	4		
31	Over-riding—Right-hand	AHH 6489	1		
32	Over-riding—Left-hand	AHH 6490	1		
33	West Germany and Japan	AHH 6916	2		
34	Moulding—over-riding	87H 9871	A/R		Supplied in multiples of feet
35	4" (10.1 cm) long				
36	Bolt—bumper bar to spring bar	24G 625	2		
37	Nut	FNZ 106	2		
38	Bolt	HBZ 0816	2		
39	Washer—plain	LWZ 206	4		
40	Bracket—bumper mounting	AHH 6365	2		
41	Bolt	HBZ 0782	4		
42	Washer—spring	LWZ 807	4		
43	Nut	FNZ 107	4		
44	Washer—plain	FWZ 208	4		
45	Nut	FNZ 108	2		
46	Filler—bumper to body—RH	AHH 6276	1		
47	Filler—bumper to body—LH	AHH 6279	1		
48	Screw	PJZ 904	6		
49	Nut—spring	PFS 206	6		
	<b>RADIATOR GRILLE</b>				
50	Case and grille assembly	ARH 218	1		
51	Screw	HZS 0404	3		
52	Washer—spring	LWZ 204	3		
53	Washer—plain	FWZ 104	3		
54	Screw	RMP 0806	3		
55	<b>Bracket—grille steady</b>				
56	Centre	HZA 1414	1		
57	Side—RH	HZA 490	1		
58	Side—LH	HZA 491	1		
59	Screw	PMZ 0908	2		
60	Washer—plain	FWZ 108	3		
61	Washer—spring	LWZ 208	3		
62	Nut	FNZ 108	3		
	Buffer—grille top rail	ADA 808	2		

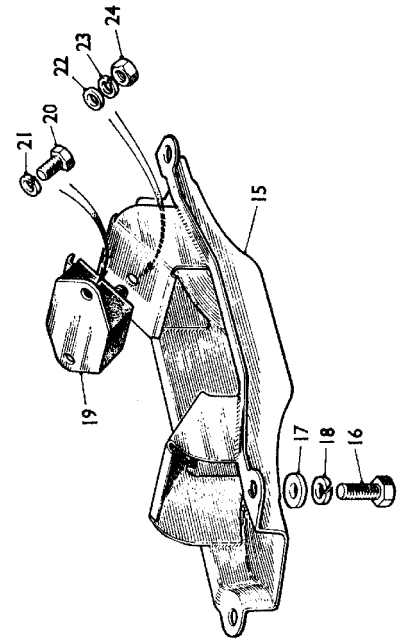
**ABBREVIATIONS AND SYMBOLS**  
 L/H Left-hand  
 R/H Right-hand  
 A/R As required  
 N.S.P. Non-serviceable  
 † Revised Information  
 Issue 2



Illus. No.	DESCRIPTION	Part No.	Quantity	Change Point	REMARKS
<b>ENGINE MOUNTINGS</b>					
1	Bracket—front engine mounting—RH	AHC 84	1		
2	Bracket—front engine mounting—LH	AHC 96	1		
3	Screw—bracket to crankcase	LWZ 306	4		
4	Washer—bracket to crankcase	LWZ 306	8		
5	Rubber—front engine mounting	AHC 91	2		
6	Washer—spring	LWZ 307	4		
7	Nut	FNZ 107	4		
8	Restrictor—front mounting—RH	AHC 154	1		
9	Restrictor—front mounting—LH	AHC 155	1		
10	Screw—restrictor and mounting—front	LWZ 306	4		
11	Washer—mounting—rear	HZS 0306	4		
12	Washer—spring	LWZ 303	4		
13	Nut	FNZ 104	4		
14	Cross member—gearbox mounting	HZA 1448	1		
15	Screw—cross-member to body	HZS 0609	4		
16	Washer—plain	LWZ 306	4		
17	Washer—spring	LWZ 303	4		
18	Mounting—engine—rear	AHC 276	2	(C) G—CDI, G—CNI—101 to 8123	W.S.E. use AHC 800
19	Mounting—engine—rear	AHC 800	2	(C) G—DI, G—CNI—8123 on	
20	Screw—mounting to gearbox	ZCS 0505	4		
21	Washer—spring	LWZ 303	4		
22	Washer—plain—mounting to cross-member	FWZ 105	2		
23	Washer—spring	LWZ 303	2		
24	Nut	FNZ 105	2		



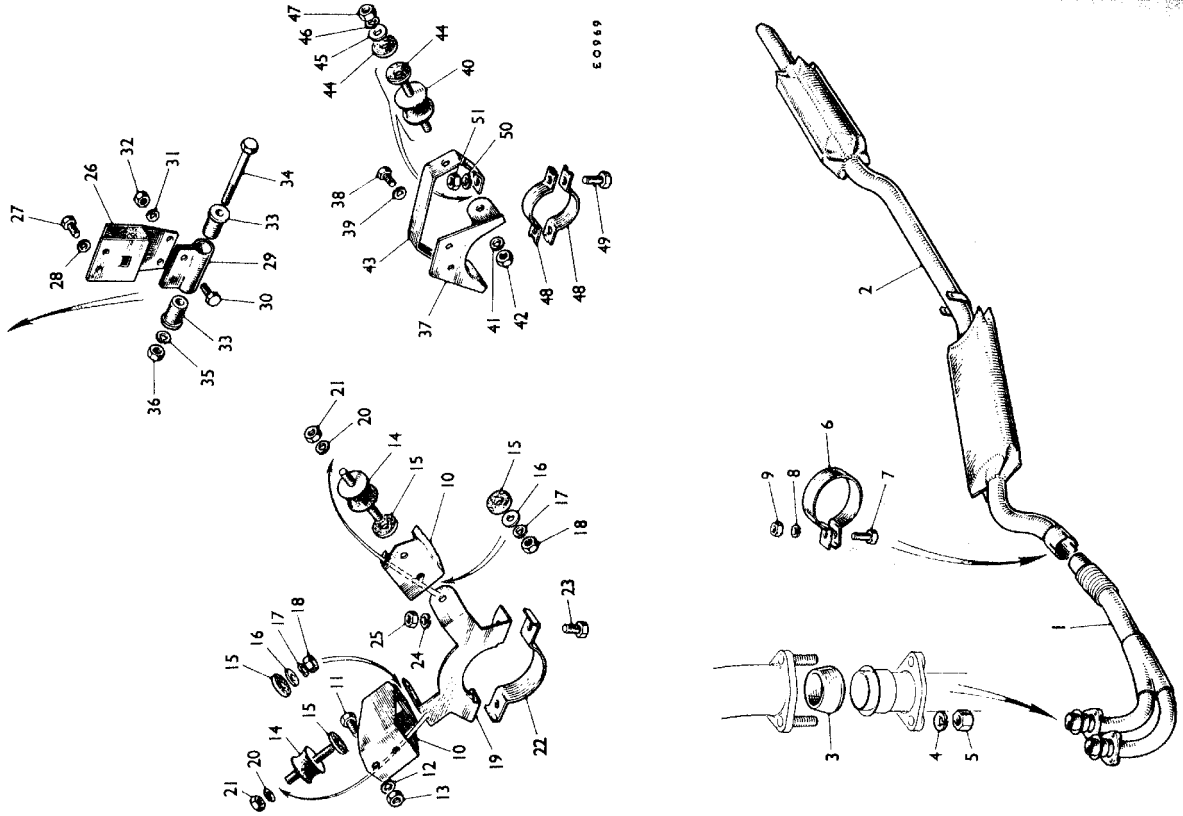
E0971



**ABBREVIATIONS AND SYMBOLS**  
 (C) Car number  
 † Revised information

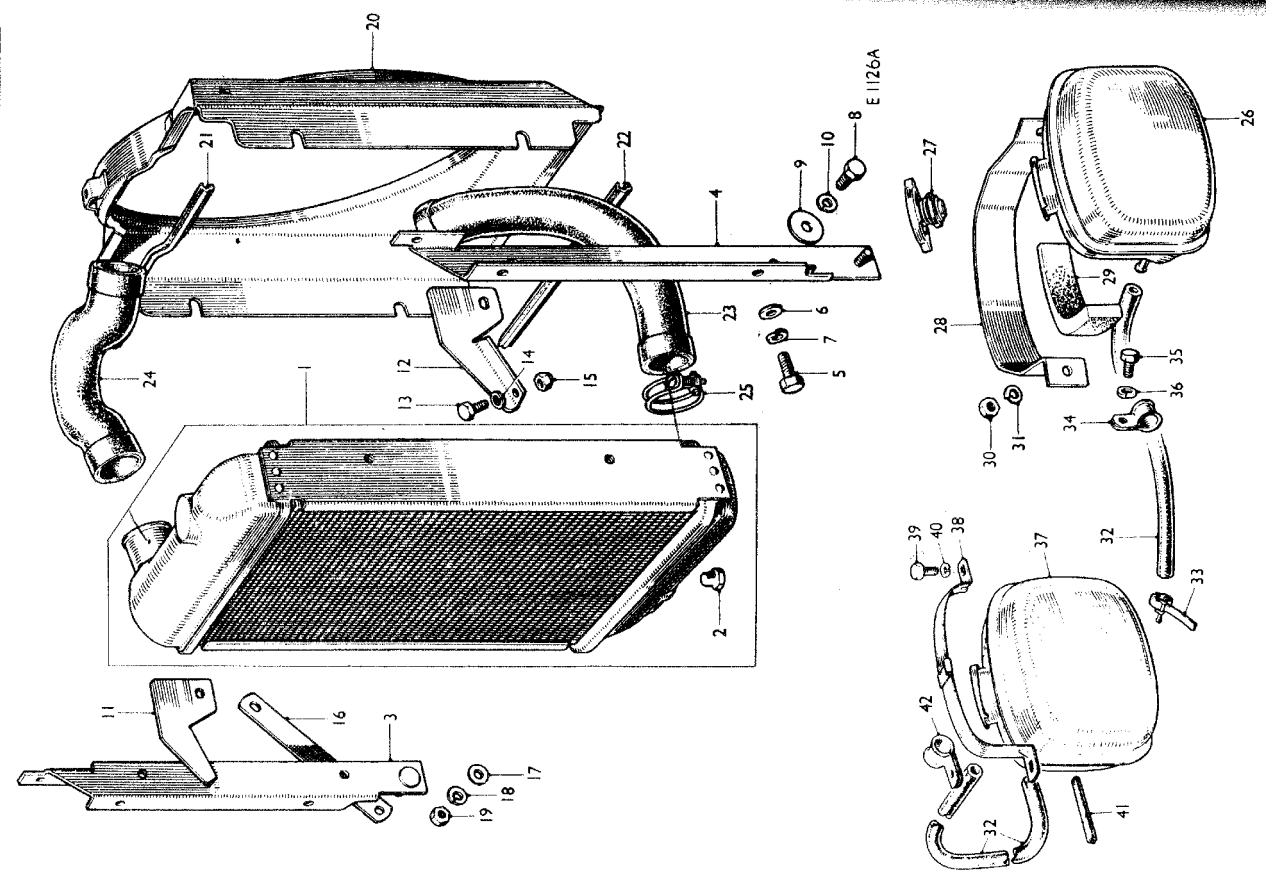
RH Right-hand  
 LH Left-hand

W.S.E. When stock exhausted



Illus. No.	DESCRIPTION	Part No.	Quantity	Change Point	REMARKS
1	Exhaust—front	‡ ARC 56	1		
2	Exhaust—rear	‡ ARC 56	1		
3	Package—exhaust pipe	‡ AHZ 5146	2		
4	Washer—spring	‡ LWZ 205	6		
5	Nut	‡ 88G 473	6		(C) G—CDI-101 to 1498 Canada, 101 on except N. America
6	Nut	‡ AHH 3882	6		(C) G—CNI-101 to 3818 Canada, 101 on except N. America
7	Clip—front to rear exhaust	‡ AHC 447	1		(C) G—CNI-101 on USA, 1494 on Canada
8	Washer—spring	HZS 0507	1		
9	Nut	LWZ 205	1		
10	Bracket—exhaust—mounting—front	‡ FNZ 105	1		
11	Bracket—bracket to cross-member	‡ HZS 0506	2		
12	Washer—spring	LWZ 205	4		
13	Nut	FNZ 105	4		
14	Rubber—exhaust pipe mounting—front	‡ AHC 441	4		
15	Washer—heat insulation	‡ AHC 442	4		
16	Washer—plain	‡ PWZ 205	2		
17	Washer—spring	LWZ 205	2		
18	Bracket—bracket to cross-member	‡ HZS 0506	2		
19	Bracket—hanger—front exhaust mounting	‡ AHC 440	1		
20	Washer—spring	LWZ 205	2		
21	Nut	FNZ 105	2		
22	Saddle—front exhaust	‡ AHC 448	1		
23	Screw—saddle to hanger bracket	HZS 0506	2		
24	Washer—spring	LWZ 205	2		
25	Nut	FNZ 105	2		
26	Bracket—intermediate	‡ AHZ 0540	1		
27	Screw	HZS 0404	2		
28	Washer—spring	LWZ 204	2		
29	Housing	‡ AHH 5404	1		
30	Screw—housing to mounting	HZS 0404	2		
31	Washer—spring	LWZ 204	2		
32	Nut	FNZ 104	2		
33	Bolt	‡ FNZ 508	1		
34	Bolt—exhaust to housing	HZS 0522	1		
35	Washer—spring	LWZ 205	1		
36	Nut	FNZ 105	1		
37	Bracket—rear exhaust mounting	‡ AHC 444	1		
38	Washer—bracket to body	HZS 0404	2		
39	Washer—spring	LWZ 204	2		
40	Rubber—exhaust pipe mounting—rear	LWZ 204	2		
41	Washer—spring	LWZ 204	2		
42	Nut	FNZ 105	2		
43	Bracket—hanger—rear exhaust mounting	‡ AHC 445	1		
44	Washer—heat insulation	AHC 442	4		
45	Washer—plain	PWZ 205	2		
46	Washer—spring	LWZ 205	2		
47	Nut	FNZ 105	2		
48	Clip—saddle—rear exhaust mounting	‡ HZS 0507	2		
49	Screw	LWZ 205	2		
50	Washer—spring	LWZ 205	2		
51	Nut	FNZ 105	2		

ABBREVIATIONS AND SYMBOLS  
 † Revised information  
 ‡ This item is subject to safety regulations  
 (C) Car number



**RADIATOR AND FITTINGS**

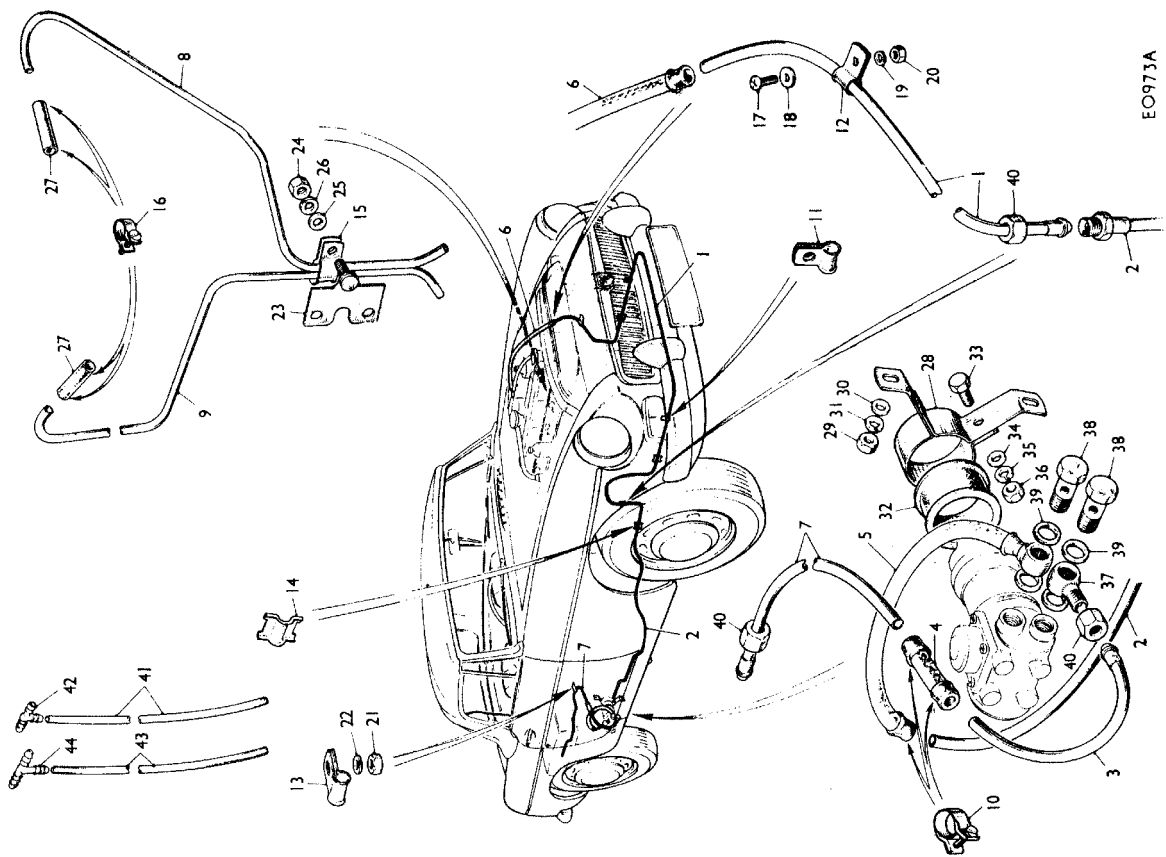
Illus. No.	DESCRIPTION	Part No.	Quantity	Change Point	REMARKS
1	Radiator assembly	ARC 54	1		
2	Plug—drain	ARA 1018	1		
3	Bracket—radiator mounting—RH	AHC 142	1		
4	Bracket—radiator mounting—LH	AHC 143	1		
5	Screw	HZS 0505	4		
6	Washer—plain	LWZ 105	4		
7	Washer—spring	LWZ 205	4		
8	Screw	HZS 0505	4		
9	Washer—plain	PWZ 205	4		
10	Washer—spring	LWZ 205	4		
11	Bracket—radiator tie—upper—RH	AHC 148	1		
12	Bracket—radiator tie—upper—LH	AHC 149	1		
13	Screw	53K 126	2		
14	Washer—spring	LWZ 205	2		
15	Washer—plain	LWZ 105	2		
16	Tie—radiator lower	AHC 145	1		
17	Washer—spring	PWZ 105	4		
18	Washer—plain	LWZ 205	4		
19	Nut	FNZ 105	4		
20	Cowl—fan	AHC 450	1		
21	Seating—upper (rubber)	AHC 439	1		
22	Seating—lower (rubber)	AHC 460	1		
23	Hose				
24	Bottom	AHC 297	1		(C) G—CDI-101 to 1498 Canada, 101 on except N. America
25	Top	AHC 298	1		(C) G—CN1-101 to 8819 Canada, 101 on except N. America
26	Bottom	AHC 756	1		(C) G—CDI-101 on USA, 1494 on Canada
27	Top	AHC 771	1		(C) G—CN1-101 on USA, 8814 on Canada
28	Clip	HCS 130	4		
29	Tank—expansion (less cap)	ARR 1718	1		
30	Cap—tank filler	AHC 461	1		(C) G—CDI-101 to 1498 Canada, 101 on except N. America
31	Pad—clip (rubber)	PCA 9872	2		(C) G—CDI-101 to 8819 Canada, 101 on except N. America
32	Washer—spring	LWZ 205	2		
33	Hose—tank to filler neck	AHC 458	1		
34	Clip—hose to tank	ACB 8744	2		
35	Clip—hose to cowl	PCR 1000	1		
36	Screw	HZS 0404	1		
37	Washer—spring	LWZ 204	1		
38	Tank—expansion (less cap)	ARR 2223	1		
39	Strap—expansion tank	AHC 780	1		(C) G—CDI-101 on USA, 1494 on Canada
40	Screw	HZS 0405	2		
41	Washer—spring	LWZ 204	2		(C) G—CN1-101 on USA, 8814 on Canada
42	Channel—rubber packing	AHC 777	1		
43	Hose—tank to filler neck	AHC 778	1		
44	Clip				
45	Hose to tank	ACB 8744	2		
46	Hose to board seal	PCR 1011	1		
47	Hose to guard	PCR 1007	1		
48	Hose to guard	PCR 1009	1		

**ABBREVIATIONS AND SYMBOLS**  
 LH Left-hand RH Right-hand † Revised information  
 (C) Cdr number

Item No.	Description	Part No.	Quantity	Change Point	Remarks
----------	-------------	----------	----------	--------------	---------

**FUEL PIPES**

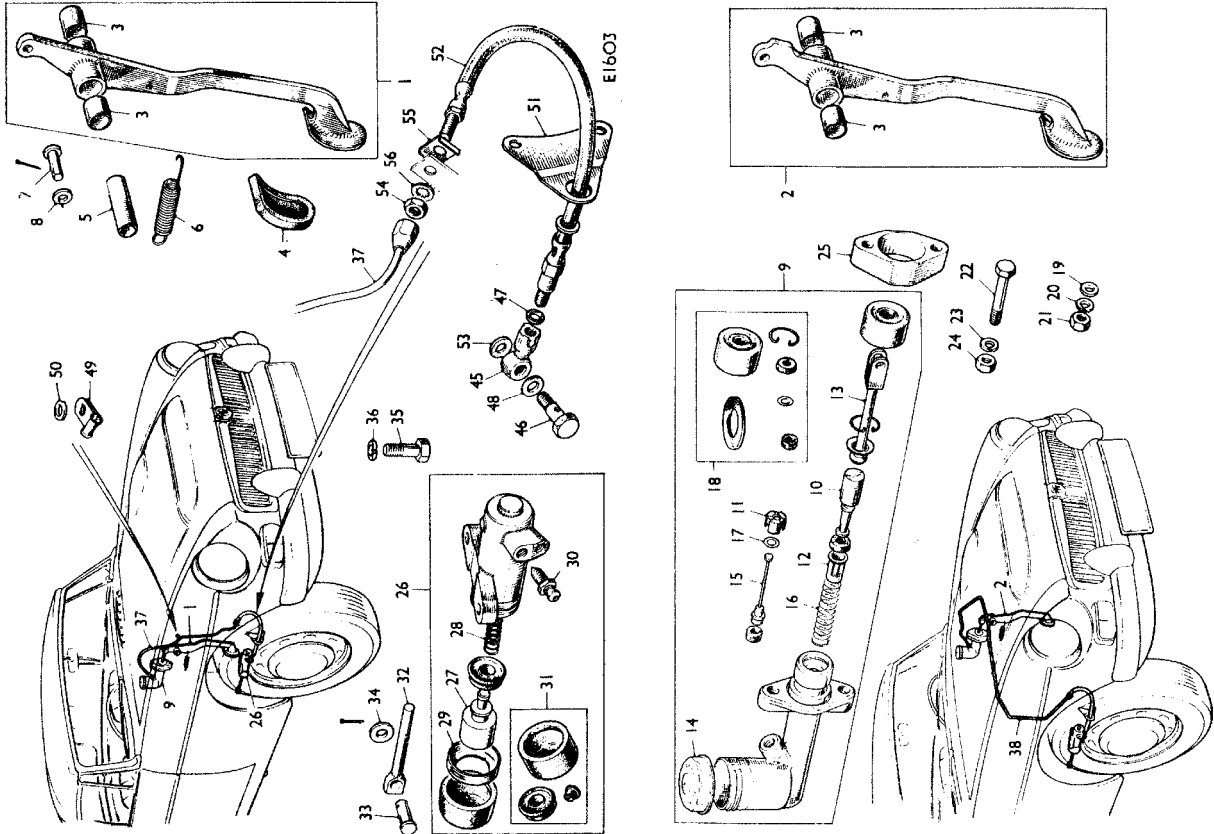
Item No.	Description	Part No.	Quantity	Change Point	Remarks
1	Pipe				
2	Main feed—front	AHC 520	1		
3	Main feed—rear	AHC 527	1		
4	Pump to fuel tube	AHC 552	1		
5	Tank to tube	AHC 526	1		
6	Pump to main feed—rear—flexible	AHC 526	1		
7	Main feed front to T piece—flexible	AHC 520	1		
8	Main feed front to T piece—flexible	AHC 527	1		
9	Main feed front to T piece—flexible	AHC 526	1		
10	Main feed front to T piece—flexible	AHC 520	1		
11	Main feed front to T piece—flexible	AHC 527	1		
12	Main feed front to T piece—flexible	AHC 526	1		
13	Main feed front to T piece—flexible	AHC 520	1		
14	Main feed front to T piece—flexible	AHC 527	1		
15	Main feed front to T piece—flexible	AHC 526	1		
16	Main feed front to T piece—flexible	AHC 520	1		
17	Main feed front to T piece—flexible	AHC 527	1		
18	Main feed front to T piece—flexible	AHC 526	1		
19	Main feed front to T piece—flexible	AHC 520	1		
20	Main feed front to T piece—flexible	AHC 527	1		
21	Main feed front to T piece—flexible	AHC 526	1		
22	Main feed front to T piece—flexible	AHC 520	1		
23	Main feed front to T piece—flexible	AHC 527	1		
24	Main feed front to T piece—flexible	AHC 526	1		
25	Main feed front to T piece—flexible	AHC 520	1		
26	Main feed front to T piece—flexible	AHC 527	1		
27	Main feed front to T piece—flexible	AHC 526	1		
28	Main feed front to T piece—flexible	AHC 520	1		
29	Main feed front to T piece—flexible	AHC 527	1		
30	Main feed front to T piece—flexible	AHC 526	1		
31	Main feed front to T piece—flexible	AHC 520	1		
32	Main feed front to T piece—flexible	AHC 527	1		
33	Main feed front to T piece—flexible	AHC 526	1		
34	Main feed front to T piece—flexible	AHC 520	1		
35	Main feed front to T piece—flexible	AHC 527	1		
36	Main feed front to T piece—flexible	AHC 526	1		
37	Main feed front to T piece—flexible	AHC 520	1		
38	Main feed front to T piece—flexible	AHC 527	1		
39	Main feed front to T piece—flexible	AHC 526	1		
40	Main feed front to T piece—flexible	AHC 520	1		
41	Main feed front to T piece—flexible	AHC 527	1		
42	Main feed front to T piece—flexible	AHC 526	1		
43	Main feed front to T piece—flexible	AHC 520	1		
44	Main feed front to T piece—flexible	AHC 527	1		



**ABBREVIATIONS AND SYMBOLS**  
 A/R As required (C) Car number  
 † This item is subject to safety regulations

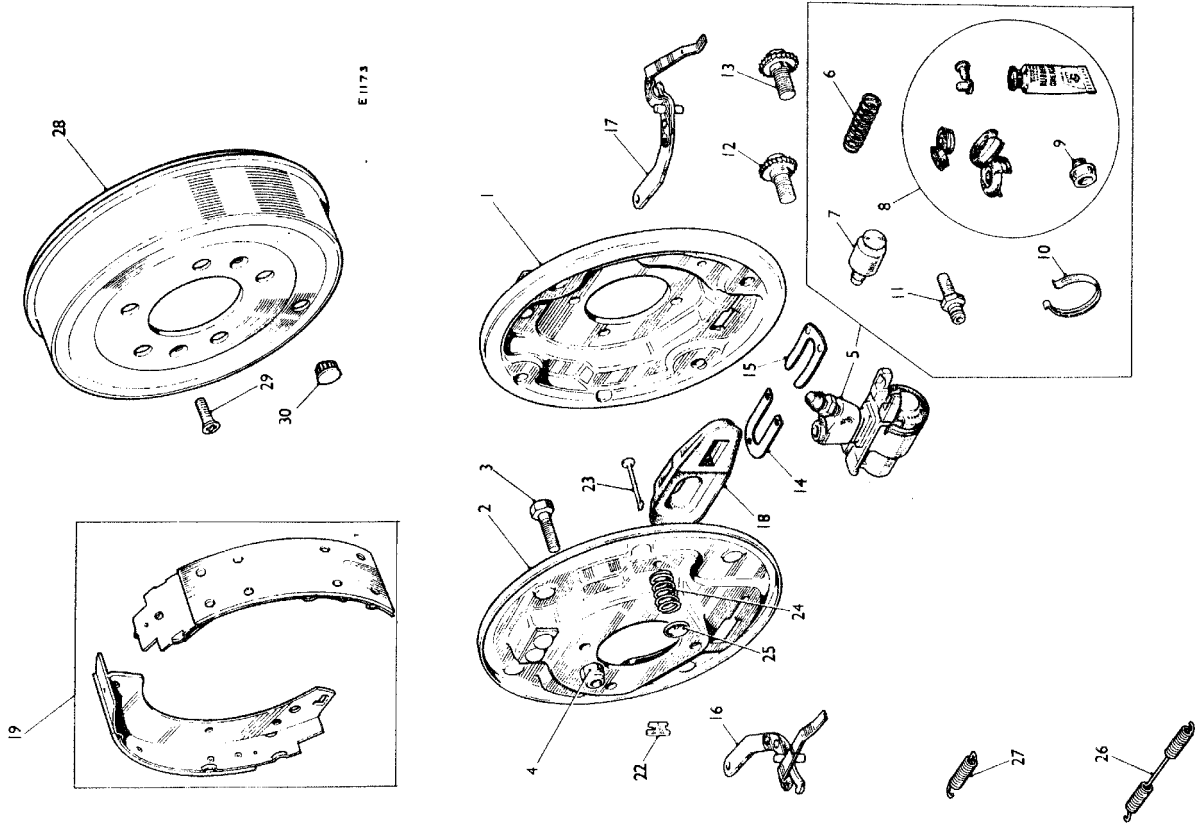
OD Outside diameter † Revised information  
 Supplied in multiples of feet  
 Supplied in multiples of feet





Illus. No.	DESCRIPTION	Part No.	Quantity	Change Point	REMARKS
<b>CLUTCH AND CONTROLS</b>					
1	Pedal assembly—clutch	AHC 130	1		(C) G-CD1-101 to 1498 Canada, 101 on except N. America
2	Pedal assembly—clutch	AHC 639	1		(C) G-CN1-101 to 8313 Canada, 101 on except N. America
3	Bush	1G 8810	2		(C) G-CD1-101 to 1498 Canada, 101 on except N. America
4	Pad (rubber)	AHC 5100	1		(C) G-CN1-101 to 8313 Canada, 101 on except N. America
5	Tube—distance	AHC 877	1		(C) G-CD1-101 to 1498 Canada, 101 on except N. America
6	Spring—pull-out—pedal	AHC 458	1		(C) G-CN1-101 to 8313 Canada, 101 on except N. America
7	Washer—plain	CLZ 0513	1		(C) G-CD1-101 to 1498 Canada, 101 on except N. America
8	Bolt	PWZ 103	1		(C) G-CN1-101 on USA, 8314 on Canada
9	Washer—spring				
10	Spacer—pedal				
11	Washer—plain				
12	Nut				
13	Kit—master cylinder repair				W.S.E. use 077H 8988
14	Washer—plain	BH 1420	1		
15	Spacer—valve	17H 8113	1		
16	Spacer—valve	17H 4132	1		
17	Retainer—spring	077H 2683	1		
18	Push-rod	17H 4827	1		
19	Cap—filler	27H 8140	1		
20	Seal—valve	17H 4508	1		
21	Seal—valve	421	1		
22	Washer—valve	7H 404	1		
23	Washer—valve	7H 4732	1		
24	Seal—plunger	8C 8906	1		
25	Seal—valve	NSP	1		
26	Gasket	NSP	1		
27	Washer—dust	NSP	1		
28	Washer—spring	NSP	1		
29	Circlip	NSP	1		
30	Washer—plain	PWZ 105	1		
31	Nut	LWZ 205	1		
32	Screw	FNZ 105	1		
33	Washer—spring	HZS 0516	1		
34	Washer—spring	LWZ 205	1		
35	Spacer—master cylinder to box	17H 406	1		
36	Spacer—master cylinder to box	AHC 382	1		
37	Spacer—master cylinder to box	18H 3891	1		
38	Spacer—master cylinder to box	21H 2125	1		
39	Spacer—master cylinder to box	27H 2127	1		
40	Spacer—master cylinder to box	7H 4073	1		
41	Spacer—master cylinder to box	8C 8985	1		
42	Spacer—master cylinder to box	NSP	1		
43	Spacer—master cylinder to box	NSP	1		
44	Spacer—master cylinder to box	NSP	1		
45	Spacer—master cylinder to box	NSP	1		
46	Spacer—master cylinder to box	NSP	1		
47	Spacer—master cylinder to box	NSP	1		
48	Spacer—master cylinder to box	NSP	1		
49	Spacer—master cylinder to box	NSP	1		
50	Spacer—master cylinder to box	NSP	1		
51	Spacer—master cylinder to box	NSP	1		
52	Spacer—master cylinder to box	NSP	1		
53	Spacer—master cylinder to box	NSP	1		
54	Spacer—master cylinder to box	NSP	1		
55	Spacer—master cylinder to box	NSP	1		
56	Spacer—master cylinder to box	NSP	1		
57	Cylinder assembly—clutch operating	RHD 11H 217	1		(C) G-CD1-101 to 1498 Canada, 101 on except N. America
58	Cylinder assembly—clutch operating	LHD 121B 121	1		(C) G-CN1-101 to 8313 Canada, 101 on except N. America
59	Cylinder assembly—clutch operating	58' (148 cm) long	1		(C) G-CD1-101 on USA, 1494 on Canada
60	Cylinder assembly—clutch operating	58' (148 cm) long	1		(C) G-CN1-101 on USA, 8314 on Canada
61	Connection—bajo	18H 1612	1		
62	Bracket—clutch hose	18H 8849	1		
63	Gasket	2H 874	1		
64	Gasket	2H 4810	1		
65	Clip—pipe to body	PCR 0811	1		
66	Washer—clip	PWZ 205	1		
67	Bracket—clutch hose	AHC 598	1		
68	Hose—clutch	BAK 1205	1		
69	Washer—lock	NSP	1		
70	Washer—lock	NSP	1		
71	Plate—locking	2F 5281	1		
72	Washer—lock	LWZ 408	1		

**ABBREVIATIONS AND SYMBOLS**  
 (C) Canadian  
 LHD Left-hand drive  
 RHD Right-hand drive  
 NSP Non-serviceable part  
 1 Revised information



E 1173

Item No.	Description	Part No.	Quantity	Change Point	Remarks
<b>REAR AXLE AND SUSPENSION</b>					
<b>REAR AXLE</b>					
1	Plate—brake—RH	27H 8087	1		
2	Plate—brake—LH	27H 8086	1		
3	Bolt	17H 4010	8		
4	Pin	17H 4008	8		
5	Cylinder assembly—wheel	27H 8042	2		
6	Spring	27H 8050	2		
7	Piston	27H 8048	2		
8	Kit—repair—wheel cylinder	18G 8182	1 set		
	Seal	NSP	1		
	Excluder—dirt	NSP	1		
	Grease tube	7H 4419	1		
9	Cap—dirt	7H 4419	2		
10	Clip—retaining	17H 4893	2		
11	Screw—bleed	7H 4873	2		
12	Quadrant—adjusting—RH	27H 8046	1		
13	Quadrant—adjusting—LH	27H 8045	1		
14	Plate—retaining—cylinder	17H 4885	2		
15	Plate—retaining—cylinder	17H 4886	2		
16	Lever—operating—RH	27H 8048	1		
17	Lever—operating—LH	27H 8044	1		
18	Excluder—dirt	27H 8047	2		
19	Shoe assembly—brake	18G 8180	2 sets		
20	Plate—support—brake shoe	27H 8242	2		
21	Pin—shoe steady	17H 4871	4		
22	Spring—cup	17H 4874	4		
23	Spring—shoe return—cylinder end	27H 8089	2		
24	Spring—shoe return—abutment end	27H 8040	2		
25	Drum—brake	BTB 862	2		
26	Screw	CMZ 410	4		
27	Plug	AHH 5514	2		
28	Nut—wheel stud—CP	AHH 915E	8		
29					
30					

Also included in repair kit 18G 8182

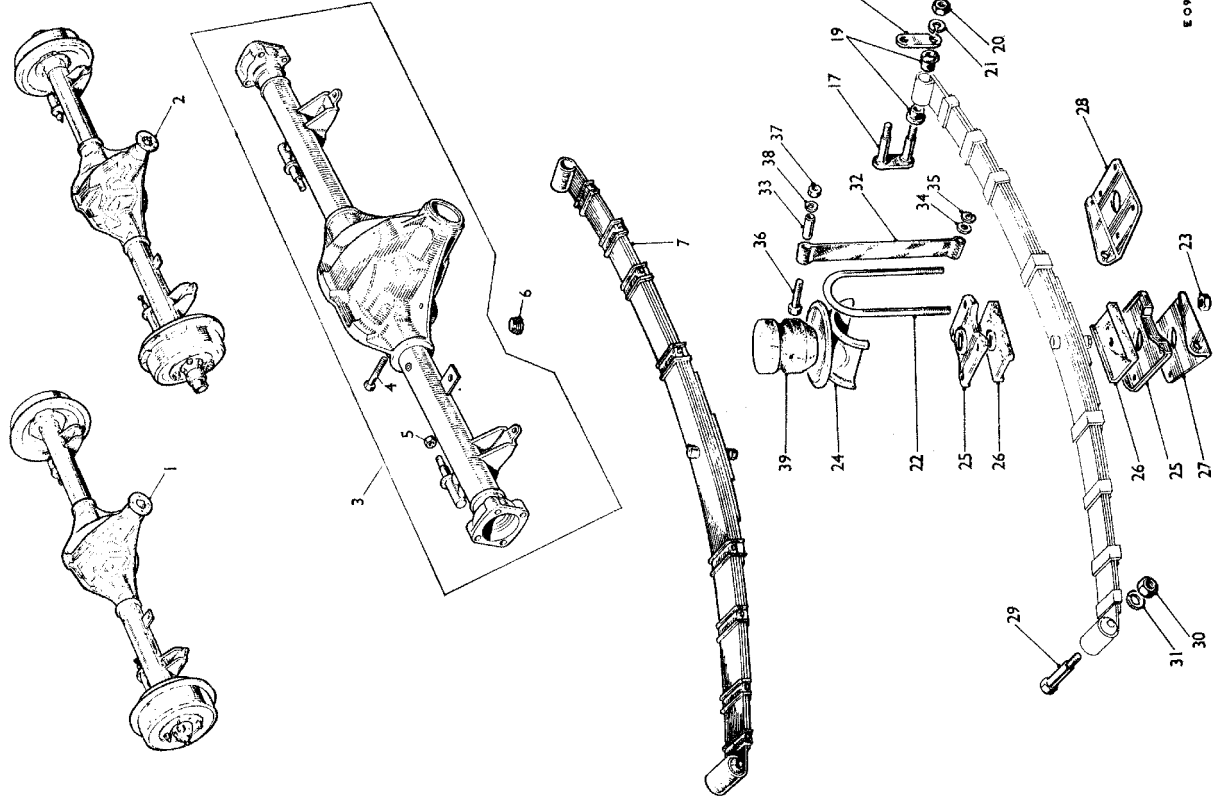
Required when optional extra Fosycite wheel is fitted.

**ABBREVIATIONS AND SYMBOLS**

CP Chrome-plated  
LH Left-hand  
RH Right-hand

NSP Non-servicable part

† Revised information



EO12

Illus. No.	DESCRIPTION	Part No.	Quantity	Change Point	REMARKS
------------	-------------	----------	----------	--------------	---------

REAR AXLE AND SUSPENSION

REAR AXLE

1	Axle assembly—19 teeth (3-071 : 1 ratio)				
2	Disc wheels (3-071 : 1 ratio)	BTB 1068	1		(C) G-CDI-101 to 4235
3	Wire wheels	BTB 1068	1		(C) G-CNI-101 to 4203
4	Disc wheels (3-307 : 1 ratio)	BTB 1068	1		(C) G-CDI-101 to 4235
5	Wire wheels	BTB 1068	1		(C) G-CDI-101 to 4235
6	Case assembly—disc wheel				on Automatic, 4236 on STD, 101
7	Case assembly—wire wheel				on Automatic, 4236 on STD, 101
8	Kit—bearing cap		4		on Automatic, 4236 on STD, 101
9	Kit—drain	6K 399	1		on Automatic

REAR SPRING

17	Spring assembly				
18	Shackle—plate (with pins)	AHC 596	2		(C) G-CNI-101 to 547
19	Shackle—plate	AHC 707	2		(C) G-CNI-548 on
20	Bush—shackle plate (rubber)	AHC 584	2		(C) G-CNI-101 to 785
21	Nut	AHC 701	2		(C) G-CDI-736 on
22	Washer—spring	AHH 5018	2		
23	Washer—spring	AHH 5019	2		
24	Washer—spring	2A 5176	2		
25	Washer—spring	LWZ 206	4		
26	Washer—spring	LWZ 206	4		
27	Washer—spring	LWZ 206	4		
28	Washer—spring	LWZ 206	4		
29	Washer—spring	LWZ 206	4		
30	Washer—spring	LWZ 206	4		
31	Washer—spring	LWZ 206	4		
32	Washer—spring	LWZ 206	4		
33	Washer—spring	LWZ 206	4		
34	Washer—spring	LWZ 206	4		
35	Washer—spring	LWZ 206	4		
36	Washer—spring	LWZ 206	4		
37	Washer—spring	LWZ 206	4		
38	Washer—spring	LWZ 206	4		
39	Washer—spring	LWZ 206	4		

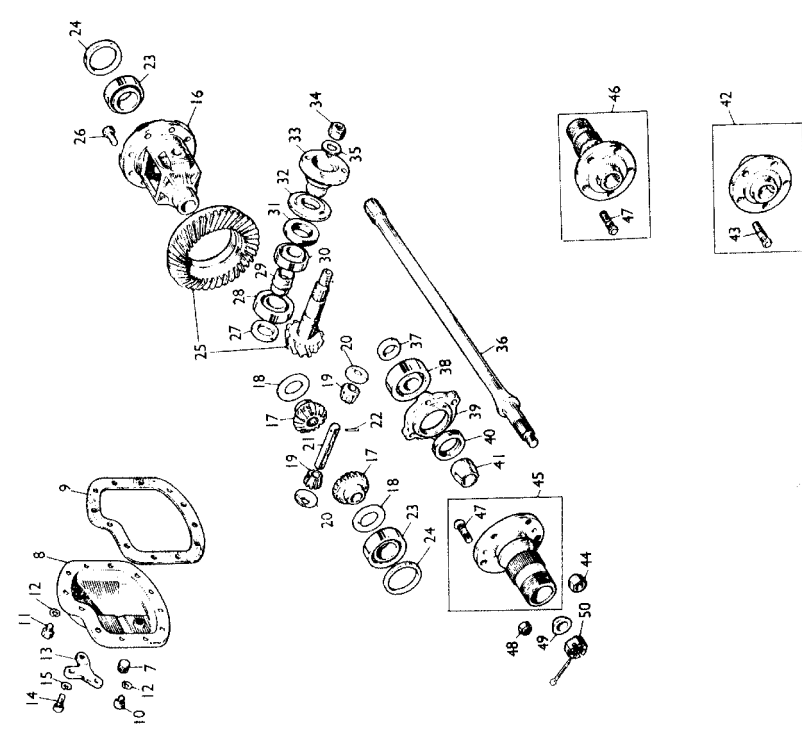
ABBREVIATIONS AND SYMBOLS  
 (C) Car number  
 (RA) Rear axle number  
 † Revised information

STD Standard W.S.E. When stock exhausted

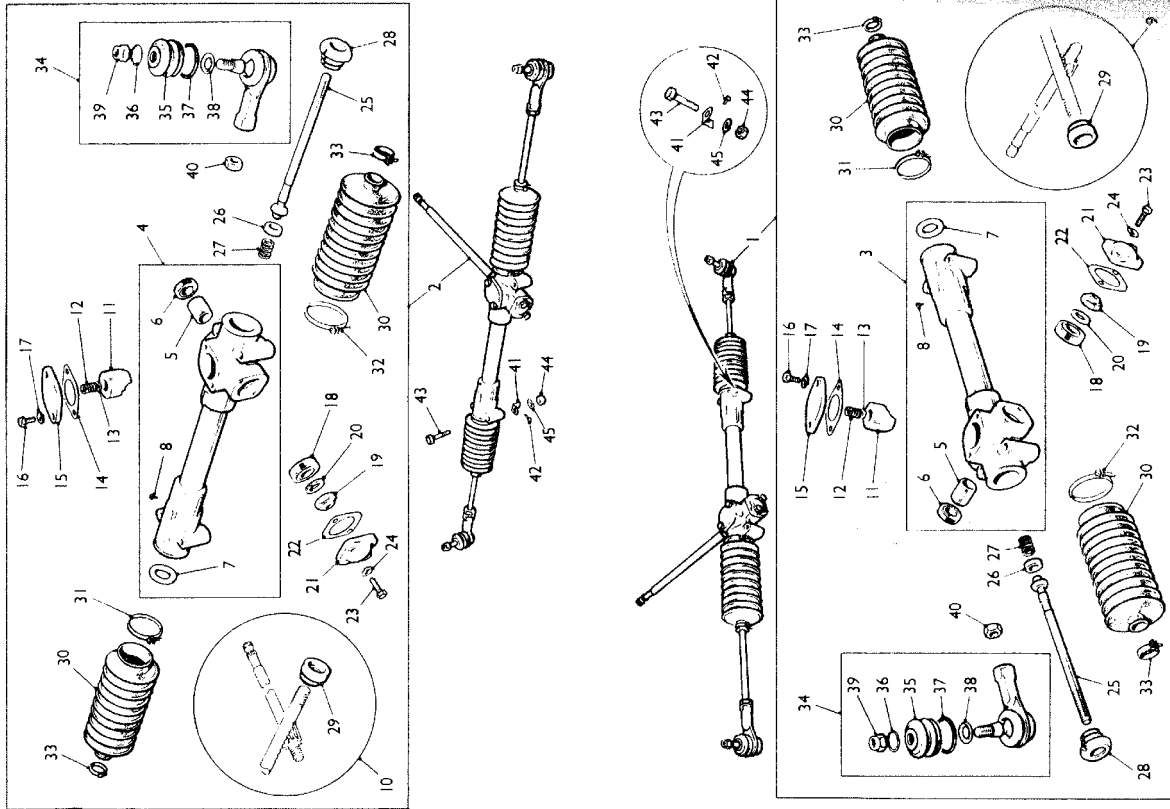
Illus. No.	DESCRIPTION	Part No.	Quantity	Change Point	REMARKS
<b>REAR AXLE—continued</b>					
7	Plug—filler	6K 409	1		
8	Cover—axle case	BTB 075	1		
9	Washer—joint—axle case	BTB 074	1		
10	Bolt	BTB 846	2		
11	Roller—clip and cover	BTB 872	2		
12	Washer—spring	LWZ 205	10		
13	Bracket—compensating lever	BTB 738	1		
14	Bolt—bracket	BTB 076	2		
15	Washer—spring	LWZ 205	2		
16	Cage—differential	BTB 840	1		
17	Wheel—differential	AAA 910	2		
18	Pinion—differential	BTB 428	2		
19	Pinion—differential	BTB 1248	2		
20	Washer—thrust—wheel	ATB 7072	2		
21	Washer—thrust—pinion	1C 7445	2		
22	Pin—pinion	BTB 871	1		
23	Roll-pin	BTB 715	1		
24	Bearing—differential	BTC 9001	2		
24	Collar—oil	BTC 466	2		
24		-147* (8-784 mm)			
24		-147* (8-784 mm)			
24		-145* (8-683 mm)			
24		-145* (8-683 mm)			
24		-141* (8-581 mm)			
24		-141* (8-581 mm)			
24		-189* (8-380 mm)			
24		-189* (8-380 mm)			
24		-185* (8-420 mm)			
24		-185* (8-420 mm)			
24		-188* (8-878 mm)			
24		-188* (8-878 mm)			
24		-181* (8-827 mm)			
24		-181* (8-827 mm)			
24		-129* (8-277 mm)			
24		-129* (8-277 mm)			
24		-127* (8-226 mm)			
24		-127* (8-226 mm)			
24		-125* (8-175 mm)			
24		-125* (8-175 mm)			
24		-127* (8-175 mm)			
24		-127* (8-175 mm)			
24		-119* (8-092 mm)			
24		-119* (8-092 mm)			
24		-117* (8-072 mm)			
24		-117* (8-072 mm)			
24		-115* (8-021 mm)			
24		-115* (8-021 mm)			
25	Crown wheel (with pinions)	STD	1		
25		14/43 teeth (8-071 : 1 ratio)			
25		13/43 teeth (8-997 : 1 ratio)			
25		STD, Automatic and Overdrive			
25		10/87 teeth (8-7 : 1 ratio)			
25		Overdrive			
25		10/87 teeth (8-7 : 1 ratio)			
25		Overdrive			
26	Roll—crown wheel to cage	BTB 1244	1		
26		BTB 432	8		
27	Washer—pinion thrust	BTB 844	1		
27		-229* (5-64 mm)			
27		-230* (5-30 mm)			
27		-218* (5-54 mm)			
27		-218* (5-54 mm)			
27		-214* (5-44 mm)			
27		-214* (5-44 mm)			
27		-212* (5-33 mm)			
27		-212* (5-33 mm)			
27		-208* (5-20 mm)			
27		-208* (5-20 mm)			
28	Bearing—pinion—inner	BTB 851	1		
29	Spacer—bearing	BTB 852	1		
30	Bearing—pinion—outer	BTB 853	1		
30		BTB 854	1		
31	Seal—oil	88G 400	1		
32	Cover—dust	BTC 860	1		
33	Flange—universal joint	BTB 865	1		
34	Nut	BTB 753	1		
35	Washer—plain	BTB 933	1		
36	Shaft—axle	BTB 700	2		
37	Spacer—axle	BTB 714	2		
38	Disc wheel	BTB 681	2		
39	Wire wheel	BTB 681	2		
39	Spacer—bearing	DD 8792	2		
39	Bearing—bearing	DD 8792	2		
40	Seal—oil	AAA 981	2		
40	Seal—hub bearing	AAA 981	2		
41	Collar—oil seal	AAA 982	2		
42	Flange—driving	BTB 864	2		
43	Stud—wheel	BTB 229	8		
44	Nut—wheel stud	BTB 354	8		
45	Flange—driving—RH	BTB 858	1		
46	Flange—driving—LH	BTB 857	1		
47	Wire wheel	BTB 197	8		
48	Nut—drum to flange	BTB 758	8		
49	Collar—drive shaft	BTA 243	2		
50	Nut—drive shaft	BTA 240	2		

REAR AXLE—continued

Illus. No.	DESCRIPTION	Part No.	Quantity	Change Point	REMARKS
7	Plug—filler	6K 409	1		
8	Cover—axle case	BTB 075	1		
9	Washer—joint—axle case	BTB 074	1		
10	Bolt	BTB 846	2		
11	Roller—clip and cover	BTB 872	2		
12	Washer—spring	LWZ 205	10		
13	Bracket—compensating lever	BTB 738	1		
14	Bolt—bracket	BTB 076	2		
15	Washer—spring	LWZ 205	2		
16	Cage—differential	BTB 840	1		
17	Wheel—differential	AAA 910	2		
18	Pinion—differential	BTB 428	2		
19	Pinion—differential	BTB 1248	2		
20	Washer—thrust—wheel	ATB 7072	2		
21	Washer—thrust—pinion	1C 7445	2		
22	Pin—pinion	BTB 871	1		
23	Roll-pin	BTB 715	1		
24	Bearing—differential	BTC 9001	2		
24	Collar—oil	BTC 466	2		
24		-147* (8-784 mm)			
24		-147* (8-784 mm)			
24		-145* (8-683 mm)			
24		-145* (8-683 mm)			
24		-141* (8-581 mm)			
24		-141* (8-581 mm)			
24		-189* (8-380 mm)			
24		-189* (8-380 mm)			
24		-185* (8-420 mm)			
24		-185* (8-420 mm)			
24		-188* (8-878 mm)			
24		-188* (8-878 mm)			
24		-181* (8-827 mm)			
24		-181* (8-827 mm)			
24		-129* (8-277 mm)			
24		-129* (8-277 mm)			
24		-127* (8-226 mm)			
24		-127* (8-226 mm)			
24		-125* (8-175 mm)			
24		-125* (8-175 mm)			
24		-127* (8-175 mm)			
24		-127* (8-175 mm)			
24		-119* (8-092 mm)			
24		-119* (8-092 mm)			
24		-117* (8-072 mm)			
24		-117* (8-072 mm)			
24		-115* (8-021 mm)			
24		-115* (8-021 mm)			
25	Crown wheel (with pinions)	STD	1		
25		14/43 teeth (8-071 : 1 ratio)			
25		13/43 teeth (8-997 : 1 ratio)			
25		STD, Automatic and Overdrive			
25		10/87 teeth (8-7 : 1 ratio)			
25		Overdrive			
25		10/87 teeth (8-7 : 1 ratio)			
25		Overdrive			
26	Roll—crown wheel to cage	BTB 1244	1		
26		BTB 432	8		
27	Washer—pinion thrust	BTB 844	1		
27		-229* (5-64 mm)			
27		-230* (5-30 mm)			
27		-218* (5-54 mm)			
27		-218* (5-54 mm)			
27		-214* (5-44 mm)			
27		-214* (5-44 mm)			
27		-212* (5-33 mm)			
27		-212* (5-33 mm)			
27		-208* (5-20 mm)			
27		-208* (5-20 mm)			
28	Bearing—pinion—inner	BTB 851	1		
29	Spacer—bearing	BTB 852	1		
30	Bearing—pinion—outer	BTB 853	1		
30		BTB 854	1		
31	Seal—oil	88G 400	1		
32	Cover—dust	BTC 860	1		
33	Flange—universal joint	BTB 865	1		
34	Nut	BTB 753	1		
35	Washer—plain	BTB 933	1		
36	Shaft—axle	BTB 700	2		
37	Spacer—axle	BTB 714	2		
38	Disc wheel	BTB 681	2		
39	Wire wheel	BTB 681	2		
39	Spacer—bearing	DD 8792	2		
39	Bearing—bearing	DD 8792	2		
40	Seal—oil	AAA 981	2		
40	Seal—hub bearing	AAA 981	2		
41	Collar—oil seal	AAA 982	2		
42	Flange—driving	BTB 864	2		
43	Stud—wheel	BTB 229	8		
44	Nut—wheel stud	BTB 354	8		
45	Flange—driving—RH	BTB 858	1		
46	Flange—driving—LH	BTB 857	1		
47	Wire wheel	BTB 197	8		
48	Nut—drum to flange	BTB 758	8		
49	Collar—drive shaft	BTA 243	2		
50	Nut—drive shaft	BTA 240	2		



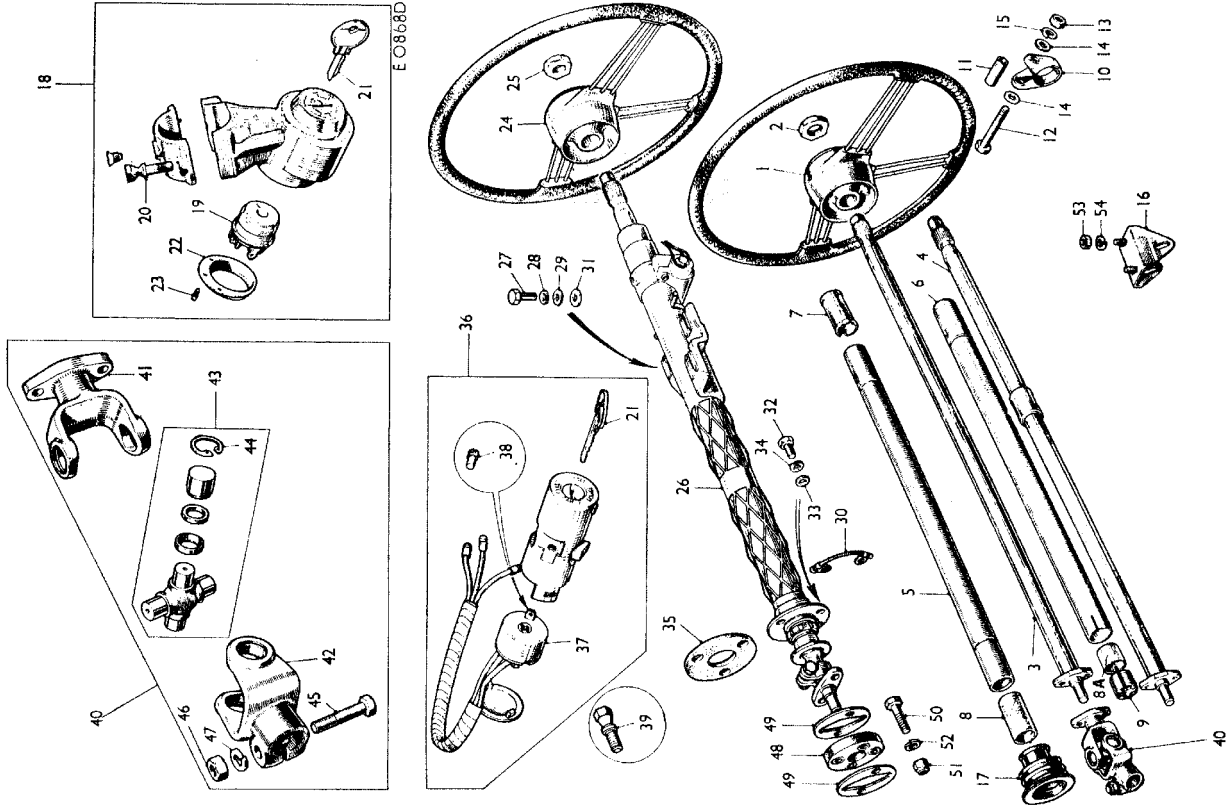
EO975



Illus. No.	DESCRIPTION	Part No.	Quantity	Change Point	REMARKS
1	Rack assembly—steering	RND 4	1		
2	Rack and pinion	LMD 4	1		
3	Housing assembly	RND 27H 8080	1		
4	Housing assembly	RND 27H 8081	1		
5	Seal—oil	LHD 27H 8300	1		
6	Disc—backing	17H 8711	1		
7	Screw—retaining	PTZ 003	1		
8	Kit—repair—rack and pinion	RHD 18C 8848	1		
9	Kit—repair—rack and pinion	LHD 18C 8849	1		
10	Pinion	NSP	1		Was 27H 8075 and 27H 8076 Was 27H 8078 and 27H 8079
11	Locknut	17H 8715	2		
12	Washer—yoke	27H 8084	1		Part No. change was 27H 8085
13	Washer	87H 2349	1		
14	Shim—cover plate (0.009 mm)	17H 8308	A/R		
14	Shim—cover plate (0.027 (1.07 mm))	17H 8307	A/R		
14	Shim—cover plate (0.037 (1.47 mm))	17H 8306	A/R		
15	Plate—yoke cover	17H 8388	1		
16	Bolt	ZCS 0507	2		
17	Washer—spring	LWZ 205	2		
18	Bearing—pinion	6K 808	1		Part No. change was: 3K 8654
19	Nut—bearing retaining	27H 8088	1		
20	Washer—plate	37H 2947	1		Part No. change, was 27H 8082
21	Cover—end	17H 8368	1		
22	Washer—joint—end cover	17H 8364	1		
23	Bolt	HCZ 0810	2		
24	Washer—spring	LWZ 205	2		
25	Tie-rod	27H 8077	2		
26	Seat—ball	17H 6571	2		
27	Spring—thrust—ball seat	CCA 13	2		Part No. change, was 17H 0290
28	Housing—ball	27H 8090	2		
29	Nut—lock	17H 8715	2		
30	Seal—rack	27H 8080	2		
31	Clip—seal—inner—support end	3 FAD3 1082	2		Also included in repair kits 18C 8848 and 18C 8849
32	Clip—seal—inner—pinion end	27H 2548	2		
33	Clip—seal—outer	3 FCA 3108	2		
34	Socket assembly—ball	27H 8084	2		
35	Retainer—boot	17H 8302	2		
36	Spring—garner	17H 8308	2		
37	Washer—boot	17H 8482	2		
38	Nut	LWZ 207	2		
39	Nut—lock	31K 5558	2		W.S.E. use 31K 590
40	Shim—rack to bracket	31K 590	2		
41	Ball—rod	3 FATH 6007	A/R		
42	Ball—rod	HRZ 0829	A/R		
43	Nut	HRZ 0829	2		
44	Nut	LWZ 205	2		
45	Washer—spring	LWZ 205	2		

ABBREVIATIONS AND SYMBOLS

A/R As required  
 L.H Left-hand  
 R.H Right-hand  
 † Revised information  
 ‡ This item is subject to safety regulations  
 W.S.E. When stock exhausted



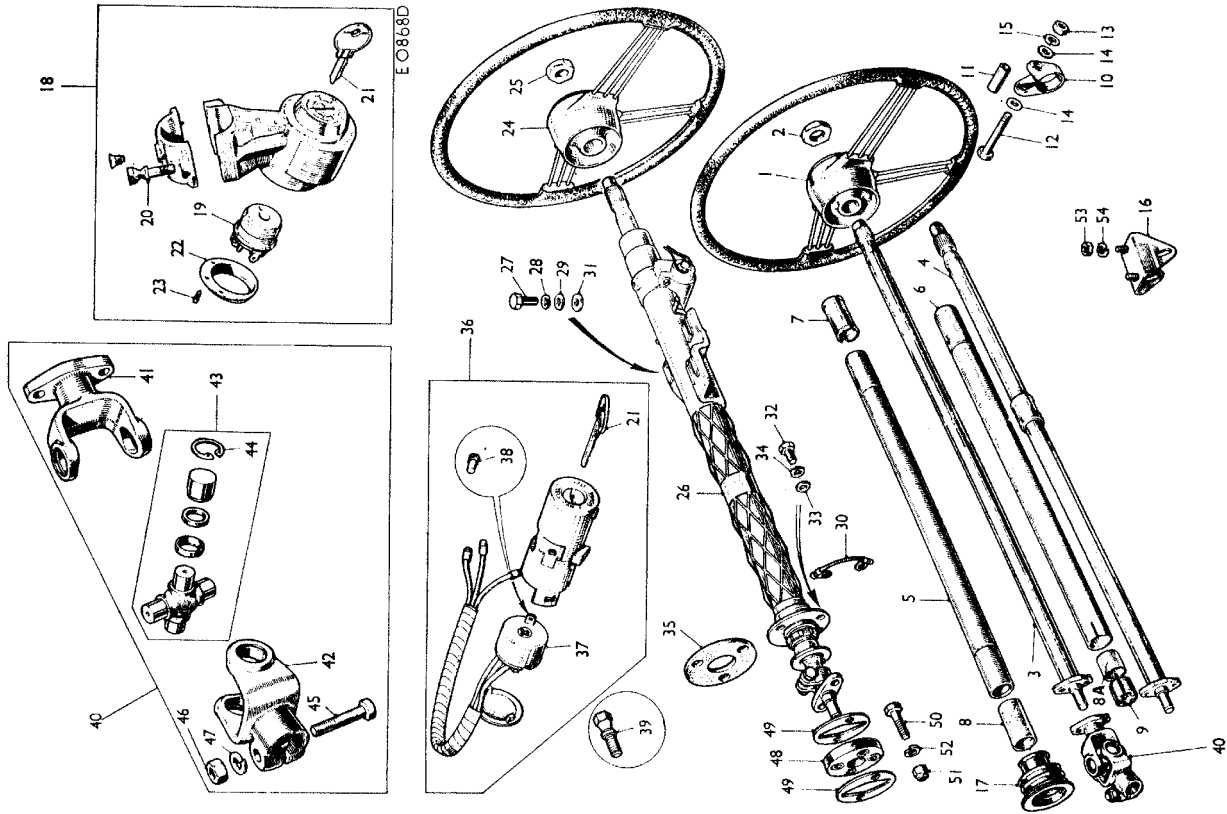
Illus. No.	DESCRIPTION	Part No.	Quantity	Change Point	REMARKS
<b>STEERING—Continued</b>					
1	Wheel—steering	†AHC 700	1	(C) G-CDI-101 to 1493 on USA, 101 to 7384 except N. America	
2	Nut—steering wheel	†AHC 882	1	(C) G-CNI-101 to 3813 on Canada, 101 to 7384 except N. America	
3	Column—inner	†AHC 882	1	(C) G-CDI-101 to 1493 on Canada, 101 on except N. America	
4	RHD and LHD	37H 1764	1	(C) G-CNI-101 to 3813 on Canada, 101 on except N. America	Required when steering lock is fitted
5	RHD and LHD	37H 3232	1	(C) G-CDI-101 to 1493 on Canada, 101 on except N. America	Required when steering lock is fitted
6	RHD and LHD	37H 3230	1	(C) G-CNI-101 to 3813 on Canada, 101 on except N. America	Required when steering lock is fitted
7	Bearing—column	81G 120	1	(C) G-CDI-101 to 1493 on Canada, 101 on except N. America	
8	Upper	17H 0565	1	(C) G-CDI-101 to 1493 on Canada, 101 on except N. America	
8A	Lower	18H 300	1	(C) G-CDI-101 to 1493 on Canada, 101 on except N. America	
9	Clip—retaining	18H 508	1	(C) G-CDI-101 to 1493 on Canada, 101 on except N. America	
10	Clamp—column	AHH 6005	1	(C) G-CDI-101 to 1493 on Canada, 101 on except N. America	
11	Washer—distance	HEZ 0810	2	(C) G-CDI-101 to 1493 on Canada, 101 on except N. America	
12	Nut	FNZ 105	2	(C) G-CDI-101 to 1493 on Canada, 101 on except N. America	
13	Washer—plain	PWZ 105	2	(C) G-CDI-101 to 1493 on Canada, 101 on except N. America	
14	Washer—spring	LWZ 205	2	(C) G-CDI-101 to 1493 on Canada, 101 on except N. America	
15	Bracket—lower—column	AHH 6811	1	(C) G-CDI-101 to 1493 on Canada, 101 on except N. America	
16	Excluder—draught	AHC 133	1	(C) G-CDI-101 to 1493 on Canada, 101 on except N. America	
17	Wire—earth	AHC 687	1	(C) G-CDI-101 to 1493 on Canada, 101 on except N. America	
18	Lock—assembly—steering (with ignition switch)	18H 4180	1	(C) G-CDI-101 to 1493 on Canada, 101 to 3842 except N. America	Quote car or key no. when re-ordering
19	Switch	27H 0237	1	(C) G-CNI-101 to 3813 on Canada, 101 to 3842 except N. America	
20	Bolt—shear	27H 0894	2	(C) G-CDI-101 to 1493 on Canada, 101 to 3842 except N. America	
21	Key—cut	27H 0891	2	(C) G-CNI-101 to 3813 on Canada, 101 to 3842 except N. America	Quote car or key no. when re-ordering
18	Lock—assembly—steering (with ignition switch)	119H 4802	1	(C) G-CDI-101 on USA, 1494 to 7315 Canada	Quote car or key no. when re-ordering
19	Switch	127H 0237	1	(C) G-CNI-101 on USA, 3814 to 7315 Canada	
20	Bolt—shear	27H 0894	1	(C) G-CDI, G-CNI-3843 on except N. America	
21	Cap—switch	27H 0238	1	(C) G-CDI, G-CNI-7816 on on Canada	
22	Cap—switch	27H 0238	1	(C) G-CDI, G-CNI-101 on	
23	Screw	27H 0238	2	(C) G-CDI, G-CNI-101 on	
24	Key	27H 0891	2	(C) G-CDI-101 on USA, 1494 to 7315 Canada	Quote car or key no. when re-ordering
24	Wheel—steering	†AHC 701	1	(C) G-CDI-101 on USA, 1494 to 7315 Canada	
24	Wheel—steering	†AHC 883	1	(C) G-CNI-101 on USA, 1404 on Canada	
25	Nut—steering wheel	†AHC 882	1	(C) G-CDI, G-CNI-7816 on on Canada	
26	Column—steering (energy absorbing)	AHC 849	1	(C) G-CNI-101 on USA, 1404 on Canada	
27	Washer	HZS 0610	8	(C) G-CDI, G-CNI-101 on	
28	Washer	LWZ 200	6	(C) G-CDI-101 on USA, 1404 on Canada	
29	Spring	PWZ 200	6	(C) G-CDI-101 on USA, 1404 on Canada	
30	Plain	AHH 8695	A/R	(C) G-CDI, G-CNI-101 on	
31	Packing	HZS 0509	8	(C) G-CDI-101 on USA, 1404 on Canada	
32	Screw	PWZ 105	3	(C) G-CDI, G-CNI-101 on	
33	Washer—plain	LWZ 200	3	(C) G-CDI, G-CNI-101 on	
34	Washer—spring	AHA 8720	1	(C) G-CDI-101 on USA, 1404 on Canada	
35	Seat—column to toe panel (ignition switch)	BHA 4715	1	(C) G-CDI-101 on USA, 1404 on Canada	
36	Lock—assembly—steering (with ignition switch)	37H 4114	1	(C) G-CDI-101 on USA, 1404 on Canada	
37	Switch	37H 4118	1	(C) G-CDI-101 on USA, 1404 on Canada	
38	Screw—switch retaining	27H 0301	1	(C) G-CDI-101 on USA, 1404 on Canada	
39	Key	BHA 4714	1	(C) G-CDI-101 on USA, 1404 on Canada	

**ABBREVIATIONS AND SYMBOLS**

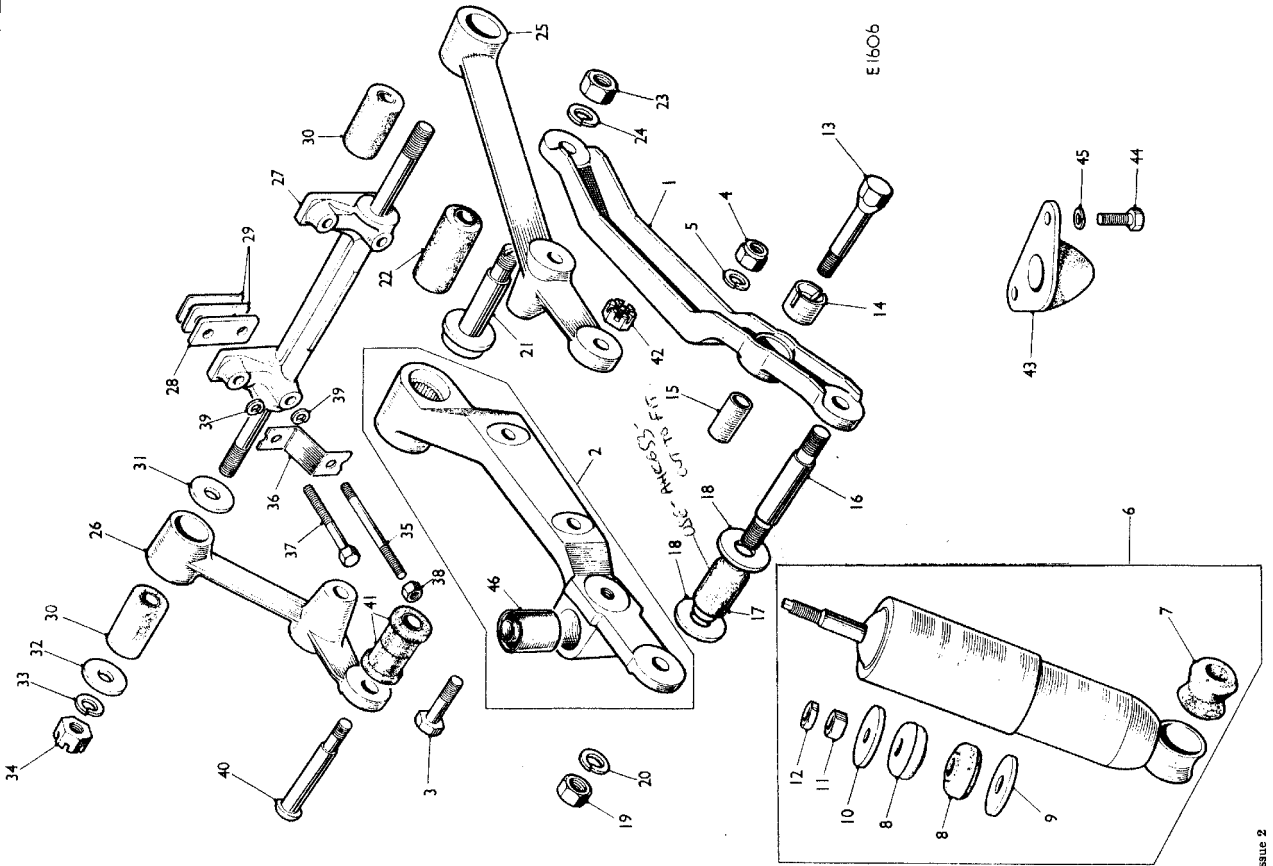
A/R As required (C) Car number LHD Left-hand drive  
 † Revised information (C) This item is subject to safety regulations

RHD Right-hand drive





Item No.	DESCRIPTION	Part No.	Quantity	Change Point	REMARKS
<b>STEERING—continued</b>					
<b>Joint assembly—universal</b>					
40	Yoke—flange	‡ BHA 4654	1		
41	Yoke—end	‡ 97H 1823	1		
42	Yoke—end	‡ 17H 3823	1		
43	Joint assembly	‡ LKX 212	1		
44	Washer	‡ LKX 212	4		
	Gasket	+ NSP	4		
	Retainer	+ NSP	4		
45	Bolt	+ HBZ 0818	2		
46	Nut	+ FNZ 105	2		
47	Washer—spring	+ FNZ 205	2		
48	Coupling	‡ LKX 212	1		
49	Washer—coupling	‡ LKX 212	1		
50	Bolt	‡ AHC 684	2		
51	Nut—lock	‡ AHC 680	4		
52	Washer—spring	+ LNZ 105	4		
53	Nut	+ FNZ 105	2		
54	Washer—spring	+ FNZ 205	2		



Illus. No.	DESCRIPTION	Part No.	Quantity	Change Point	REMARKS
1	Front suspension assembly	NSP	1		
2	Arm—lower—front	BTB 821	2		
3	Arm—lower—rear	BTB 870	2		
4	Bush	BTB 827	2		
5	Bush	† AHC 180	4		
6	Washer—spring	LWZ 206	4		
7	Washer—spring	LWZ 206	4		
8	Nut—lock	† AHC 84	4		(C) G-CNI-101 to 500
9	Washer—spring	† AHC 84	4		(C) G-CNI-101 on
10	Washer—spring	† AHC 84	4		(C) G-CNI-570 on
11	Washer—spring	† AHC 84	4		
12	Washer—spring	† AHC 84	4		
13	Washer—spring	† AHC 84	4		
14	Washer—spring	† AHC 84	4		
15	Washer—spring	† AHC 84	4		
16	Washer—spring	† AHC 84	4		
17	Washer—spring	† AHC 84	4		
18	Washer—spring	† AHC 84	4		
19	Washer—spring	† AHC 84	4		
20	Washer—spring	† AHC 84	4		
21	Washer—spring	† AHC 84	4		
22	Washer—spring	† AHC 84	4		
23	Washer—spring	† AHC 84	4		
24	Washer—spring	† AHC 84	4		
25	Washer—spring	† AHC 84	4		
26	Washer—spring	† AHC 84	4		
27	Washer—spring	† AHC 84	4		
28	Washer—spring	† AHC 84	4		
29	Washer—spring	† AHC 84	4		
30	Washer—spring	† AHC 84	4		
31	Washer—spring	† AHC 84	4		
32	Washer—spring	† AHC 84	4		
33	Washer—spring	† AHC 84	4		
34	Washer—spring	† AHC 84	4		
35	Washer—spring	† AHC 84	4		
36	Washer—spring	† AHC 84	4		
37	Washer—spring	† AHC 84	4		
38	Washer—spring	† AHC 84	4		
39	Washer—spring	† AHC 84	4		
40	Washer—spring	† AHC 84	4		
41	Washer—spring	† AHC 84	4		
42	Washer—spring	† AHC 84	4		
43	Washer—spring	† AHC 84	4		
44	Washer—spring	† AHC 84	4		
45	Washer—spring	† AHC 84	4		

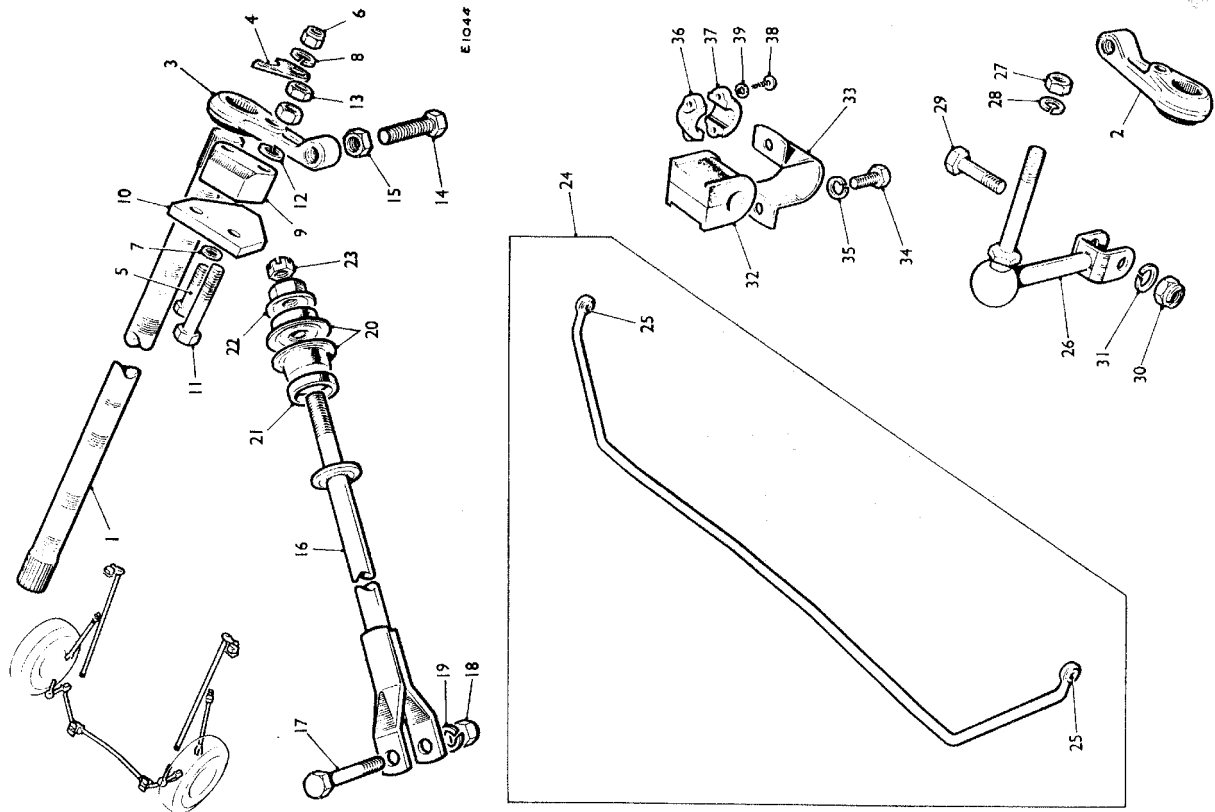
FRONT SUSPENSION

CUT TO FIT (AHC 853)

85631

ABBREVIATIONS AND SYMBOLS  
 A/R As required (C) Car number  
 † This item is subject to safety regulations

NSP Non-serviceable part  
 † Change point not available  
 ‡ Revised information

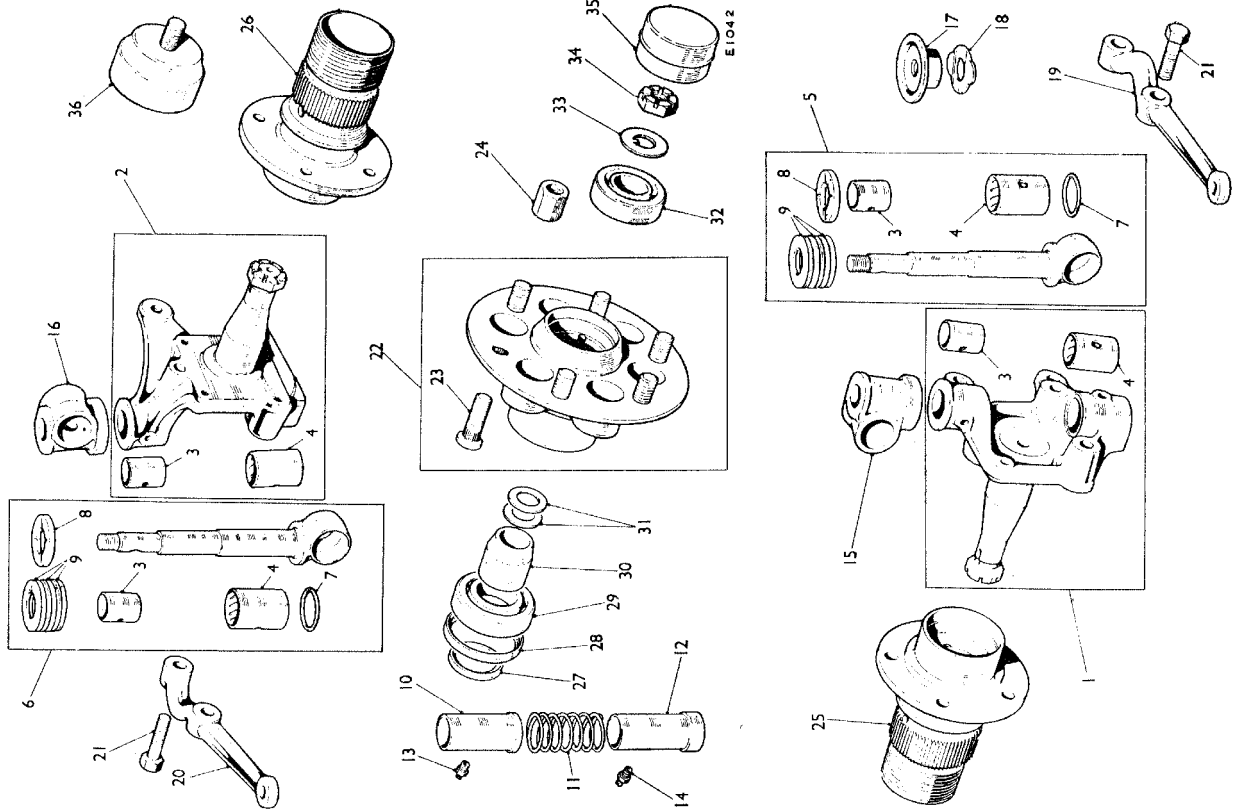


Illus. No.	DESCRIPTION	Part No.	Quantity	Change Point	REMARKS
<b>FRONT SUSPENSION—continued</b>					
1	Ball-astension	\$ FAHC 288	2		
2	Lever—vernier—RH	\$ FAHC 42	1		
3	Lever—vernier—LH	\$ FAHC 43	1		
4	Plate—retaining	21G 4010	2		
5	Bolt	HEZ 0314	2		
6	Nut—lock	LNZ 205	2		
7	Washer—plain	LNZ 103	2		
8	Washer—spring	LWZ 105	2		
9	Bush—tie-bar	\$ FAHC 45	2		
10	Plate—reinforcement	\$ FAHC 285	2		
11	Bolt	HEZ 0420	4		
12	Washer—spring	LWZ 306	4		
13	Nut—lock	FNZ 106	4		
14	Bolt—vernier	\$ FAHC 46	2		
15	Nut—lock	FNZ 206	2		
16	Lower control arm	\$ FAHC 46	2		
17	Bush—tie-bar	\$ FAHC 147	2		
18	Nut—lock	LNZ 207	2		
19	Washer—spring	LWZ 307	2		
20	Bush—tie-bar	\$ FAHC 406	4		
21	Retainer—bush	FACG 4020	2		
22	Nut and washer	\$ FAHC 73	2		
23	Nut—slotted	\$ FAHC 48	1		
24	Tie-bar	\$ FAHC 56	1		
25	Ball-assembly—anti-roll	\$ FAHC 5689	2		
26	Bush	\$ FAHC 56	2		
27	Link—anti-roll bar	LNZ 307	2		
28	Nut	FNZ 107	2		
29	Washer—spring	LWZ 307	2		
30	Bolt—link to anti-roll bar	\$ FAHC 146	2		
31	Nut—thin	\$ FBWA 4357	2		
32	Washer—spring roll bar	11H 460	2		
33	Strap—bearing	11H 459	2		
34	Screw	HZS 0506	4		
35	Washer—spring	LWZ 205	4		
36	Locator—upper	11H 462	2		
37	Locator—lower	11H 463	2		
38	Screw	LWZ 0012	4		
39	Washer—spring	LWZ 206	4		

ABBREVIATIONS AND SYMBOLS  
LH Left-hand RH Right-hand

† Revised information

\$ This item is subject to safety regulations

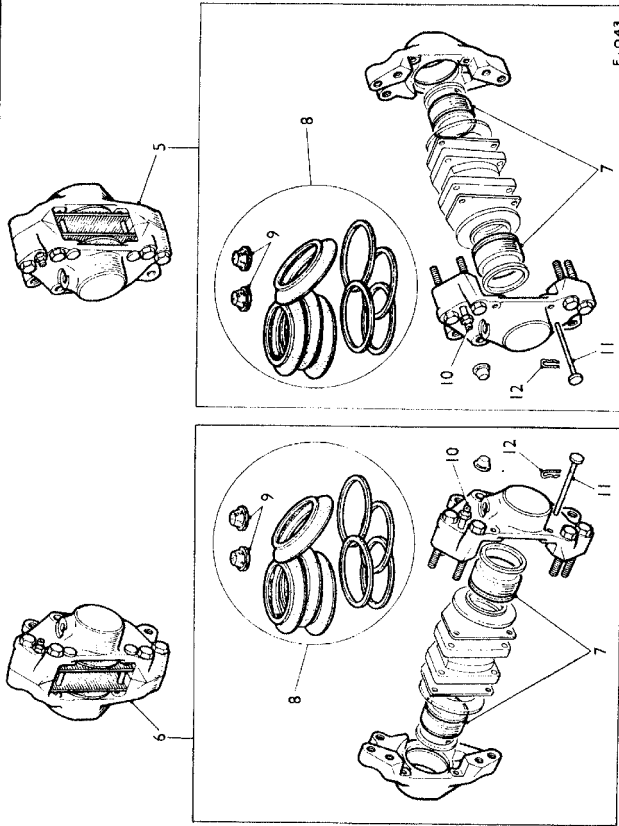


MECHANICAL SERVICE PARTS LIST

Illus. No.	DESCRIPTION	Part No.	Quantity	Change Point	REMARKS
1	<b>FRONT SUSPENSION—Continued</b>				
2	Auto assembly—swivel—RH	BTB 704	1		
3	Auto assembly—swivel—LH	BTB 709	1		
4	Bush—top	1B 4610	2		
5	Bush	BTB 802	2		
6	Kit—repair—swivel pin and bush—RH	8G 4230	1		] Also included in kits ] 8G 4230 and 8G 4231
7	Kit—repair—swivel pin and bush—LH	8G 4231	1		
8	Pin—swivel	NSH 4610	2		
9	Bush—top	BTB 802	2		
10	Bush—bottom	BTB 802	2		
11	Ring—sealing	IRS 1731	4		
12	Washer—thrust	BTB 803	2		
13	Washer—thrust				
14	Washer—thrust				
15	Washer—thrust				
16	Washer—thrust				
17	Washer—thrust				
18	Washer—thrust				
19	Washer—thrust				
20	Washer—thrust				
21	Washer—thrust				
22	Washer—thrust				
23	Washer—thrust				
24	Washer—thrust				
25	Washer—thrust				
26	Washer—thrust				
27	Washer—thrust				
28	Washer—thrust				
29	Washer—thrust				
30	Washer—thrust				
31	Washer—thrust				
32	Washer—thrust				
33	Washer—thrust				
34	Washer—thrust				
35	Washer—thrust				
36	Washer—thrust				

**ABBREVIATIONS AND SYMBOLS**  
 A/R As required CP Chrome-plated  
 \$ This item is subject to safety regulations

LH Left-hand NSP Non-serviceable part  
 Issue 3



E. O. 43

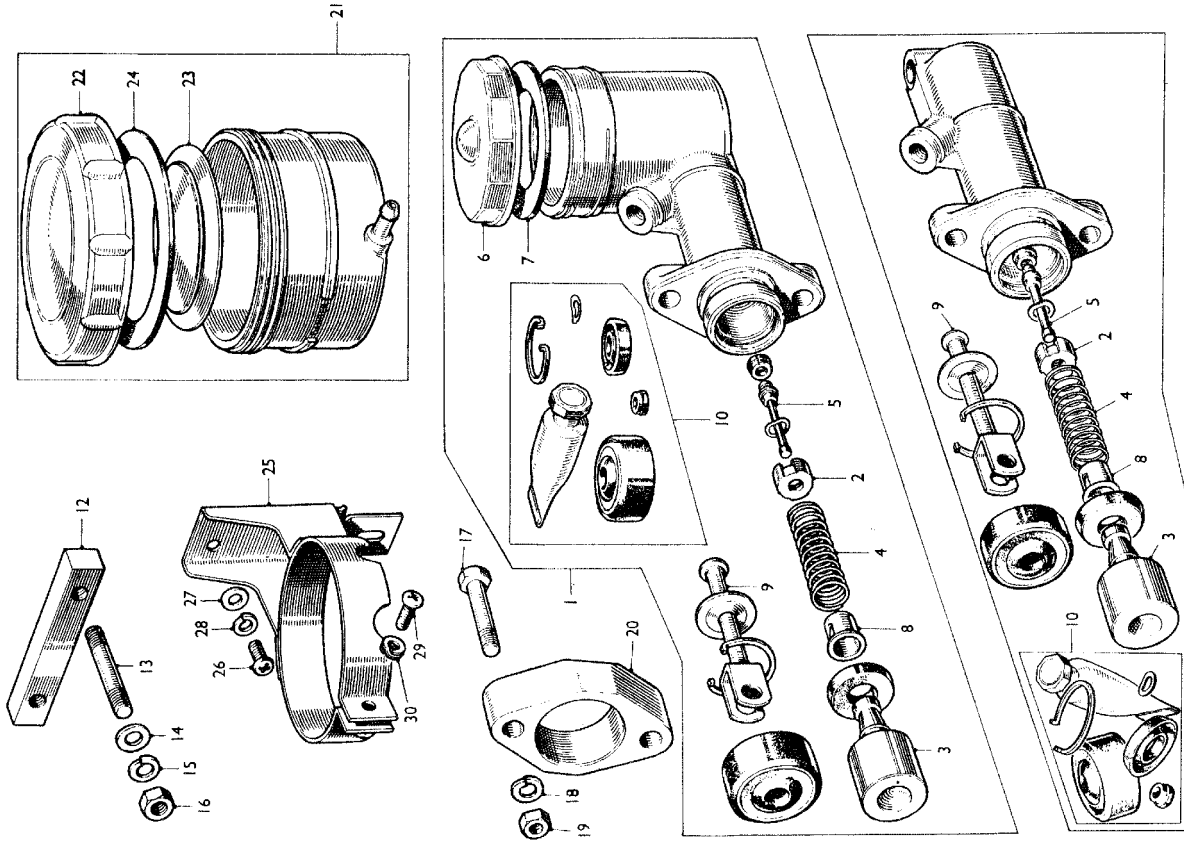
Illus. No.	DESCRIPTION	Part No.	Quantity	Change Point	REMARKS
1	Disc—brake	\$ BT1C 371	2		
2	Washer—disc to hub	\$ LWZ 208	10		
3	Washer—spring	\$ LWZ 208	10		
4	Washer—spring	FNZ 106	10		
5	Calliper unit assembly (less pads and shims)	2711 2068	1		
6	Calliper unit assembly (less pads and shims)	2711 2068	1		
7	Piston	27H 2089	1		
8	Washer—disc to hub	27H 2089	4		
9	Washer—spring	27H 2089	2		
10	Washer—spring	27H 2089	2		
11	Screw—bleed	27H 2051	2		
12	Pin—pad retaining	17H 4637	2		
13	Chip—pin retaining	17H 4640	4		
14	Pin—pin retaining	17H 4639	4		
15	Pad—friction	14C 8308	1 set		
16	Shim—adjusting	14C 8308	4		
17	Bracket—lock attachment	\$ BT1A 371	2		
18	Bracket—brake hose—RH	BTB 930	1		
19	Bracket—brake hose—LH	BTB 931	1		
20	Cover—dust—brake disc—RH	BTB 808	1		
21	Cover—dust—brake disc—LH	BTB 809	1		
22	Bolt	H2S 0403	4		
23	Washer	H2S 0404	4		
24	Washer—spring	H2S 0404	4		
		LWZ 205	4		

W.S.E. use 17H 4637

**ABBREVIATIONS AND SYMBOLS**  
 LH Left-hand  
 RH Right-hand  
 † This item is subject to safety regulations

W.S.E. When stock exhausted

† Revised information



Illus. No.	DESCRIPTION	Part No.	Quantity	Change Point	REMARKS
<b>↑ BRAKE CONTROLS—</b>					
<b>↑ BRAKE MASTER CYLINDER</b>					
1	Cylinder assembly—brake master	BHA 4821	1		
2	Retainer—spring	17H 8142	1		
3	Plunger	17H 4808	1		
4	Spring	17H 4808	1		
5	Stem—valve	7H 4731	1		
6	Cap—filler	17H 8077	1		
7	Spacer—valve	17H 8192	1		
8	Push-rod	27H 8141	1		
9	Kit—master cylinder repair	18C 8186	1		
10	Seal—gland	NSP	1		
	Cover—dust	NSP	1		
	Circclip	NSP	1		
	Washer—spring	NSP	1		
	Spacer—valve	NSP	1		
	Seal—valve	NSP	1		
1	Cylinder assembly—brake master	BHA 4849	1		
2	Retainer—spring	17H 8142	1		
3	Plunger	17H 4808	1		
4	Spring	17H 4808	1		
5	Stem—valve	7H 4731	1		
6	Cap—filler	17H 8077	1		
7	Spacer—valve	17H 8192	1		
8	Push-rod	27H 8141	1		
9	Kit—master cylinder repair	18C 8186	1		
10	Seal—gland	NSP	1		
	Cover—dust	NSP	1		
	Circclip	NSP	1		
	Washer—spring	NSP	1		
	Spacer—valve	NSP	1		
	Seal—valve	NSP	1		
13	Block—retrofitting	FHS 2520	2		
14	Washer—plain	PWZ 105	1		
15	Washer—spring	LWZ 205	1		
16	Nut	FNZ 105	1		
17	Screw	HZS 0310	1		
18	Washer—spring	PWZ 205	1		
19	Washer—plain	FNZ 205	1		
20	Spacer—master cylinder to box	AHC 802	1		
21	Tank—brake fluid (plastic)	BHA 4689	1		
22	Cap—filler	37H 1794	1		
23	Baffle—fluid	37H 1796	1		
24	Gasket—filler cap	37H 1796	1		
25	Bracket—brake fluid tank	AHC 644	1		
26	Washer—plain	FWZ 0606	2		
27	Washer—spring	LWZ 208	2		
28	Screw	PMZ 0810	1		
29	Washer—spring	2K 2551	1		
30	Washer—spring	2K 2551	1		
					Required when automatic is not fitted

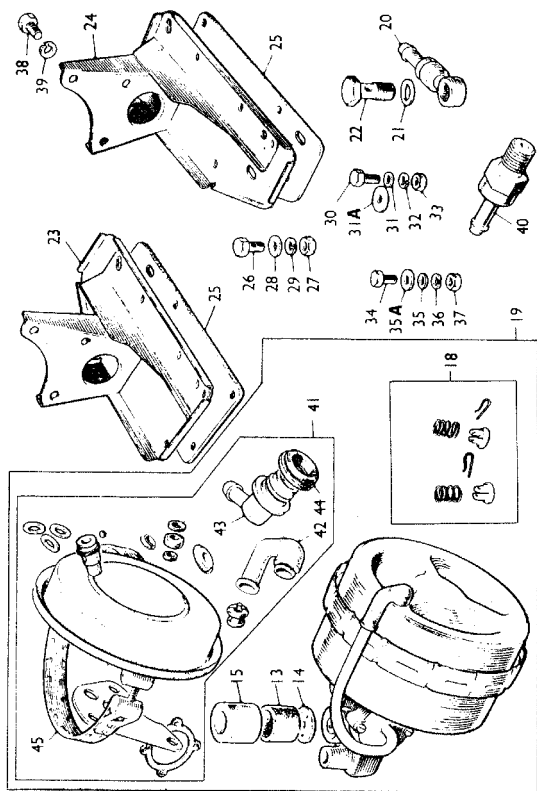
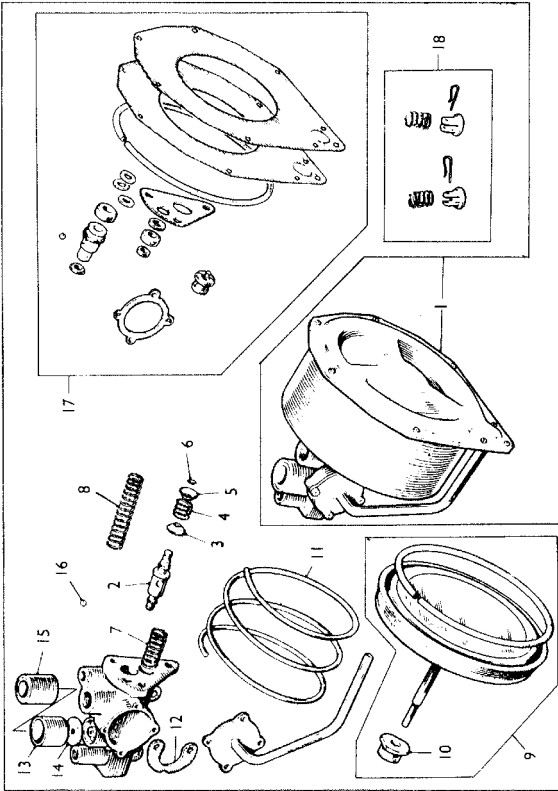
†(C) G-CD1-101 to 1483 Canada, 101 on except N. America  
 †(C) G-CN1-101 to 8813 Canada, 101 on except N. America

Illus. No.	DESCRIPTION	Part No.	Quantity	Change Point	REMARKS
------------	-------------	----------	----------	--------------	---------

**BRAKE CONTROLS—continued**

**SERVO UNIT**

1	Servo assembly—vacuum	13H 8960	1		
2	Pin—spring	71H 6960	1		
3	Abutment—piston spring	71H 6967	1		
4	Spring—piston return	71H 6962	1		
5	Retainer—spring	71H 6962	1		
6	Circlip—retainer	71H 6959	1		
7	Spring—piston return	27H 7562	1		
8	Spring—piston	27H 6874	1		
9	<b>Piston assembly</b>	27H 8198	1		
10	Bush—piston rod guide	27H 8158	1		
11	Spring—cylinder piston return	17H 4981	1		
12	Spring—control valve return	27H 2419	1		
13	Element—air filter	27H 2420	1		
14	Seal—air filter to body	27H 5041	1		
15	Cover—air filter	BLS 105	1		
16	<b>Kit—servo unit repair</b>	18G 8126	1		
17	Operating piston—small	NSP	1		(C) G-CNI, G-CDI-101 to 1158 (except USA)
18	Operating piston—large	NSP	1		
19	Piston—cylinder plug	NSP	1		
20	Taper—hydraulic piston	NSP	1		
21	Gland—vacuum cylinder piston	NSP	1		
22	Sealing plate	NSP	1		
23	Piston—hydraulic	NSP	1		
24	<b>Gasket</b>	NSP	1		
25	Cylinder to body	NSP	1		
26	Cylinder end cover	NSP	1		
27	Vacuum pipe to body	NSP	1		
28	Washer—cylinder to body bolt (copper)	NSP	3		
29	Sleeve—vacuum pipe to cylinder (rubber)	NSP	1		
30	Ball	BLS 105	1		
31	<b>Kit—repair—air valve</b>	18G 8341	1		
32	Valve	NSP	2		
33	Spring	NSP	2		
34	Chip—spring—valve retaining	NSP	2		
35	<b>Servo assembly—vacuum</b>	BHA 4700	1/2		(C) G-CNI, G-CDI-1154 on N. America only
36	Pin—spring	27H 2410	1/2		
37	Seal—element sealing	27H 5040	1/2		
38	Cover—element	27H 5041	1/2		
39	<b>Kit—repair—air valve</b>	18G 8341	1/2		
40	Valve	NSP	2/4		
41	Spring	NSP	2/4		
42	Chip—spring—valve retaining	NSP	2/4		
43	<b>Diaphragm</b>	18G 8604	1/2		
44	Seal	NSP	1/2		
45	Plug—control—piston cylinder	NSP	1/2		
46	Control piston (small)	NSP	1/2		
47	Control piston (large)	NSP	1/2		
48	Gland—control piston	NSP	1/2		
49	Washer—hydraulic piston	NSP	1/2		
50	Washer—cylinder fixing bolts	NSP	1/2		
51	Plug—sleeve retaining (rubber)	NSP	1/2		
52	Sleeve—cylinder to air pipe (rubber)	37H 4115	1/2		
53	Gasket—air valve cover	NSP	1/2		
54	Adaptor	NSP	1/2		
55	Pronomet—adaptor	37H 3068	1/2		
56	Ball—1/4 dia.—hydraulic piston	37H 2842	1/2		
57	Piston—hydraulic	37H 4116	1/2		
58	Ball—1/2 dia.—hydraulic piston	NSP	1/2		
59	Valve—non-return	BHA 4640	1		(C) G-CNI, G-CDI-101 to 1158 (except USA)
60	Gasket—valve	11K 8909	1		(C) G-CNI, G-CDI-1154 on (USA) on
61	Bolt—valve	BHA 4605	1		
62	Valve—non-return	118H 1566	1		



**ABBREVIATIONS AND SYMBOLS**  
 (C) Car number NSP Non-serviceable part + Revised information

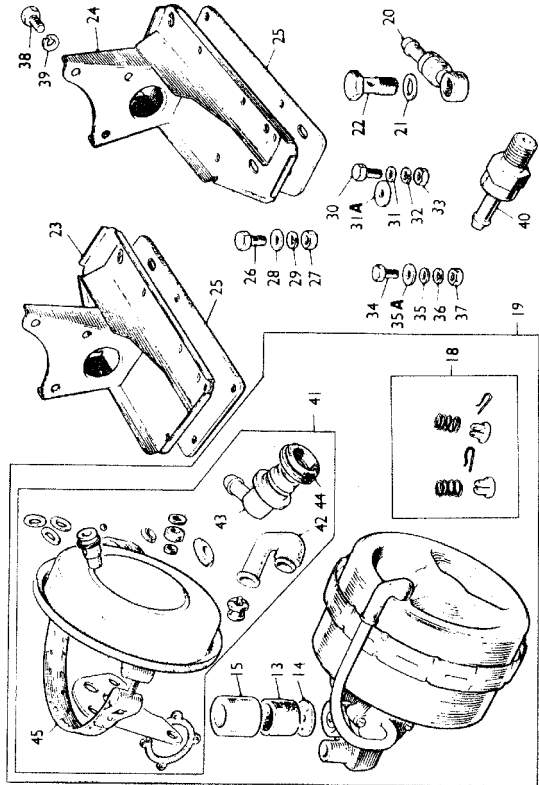
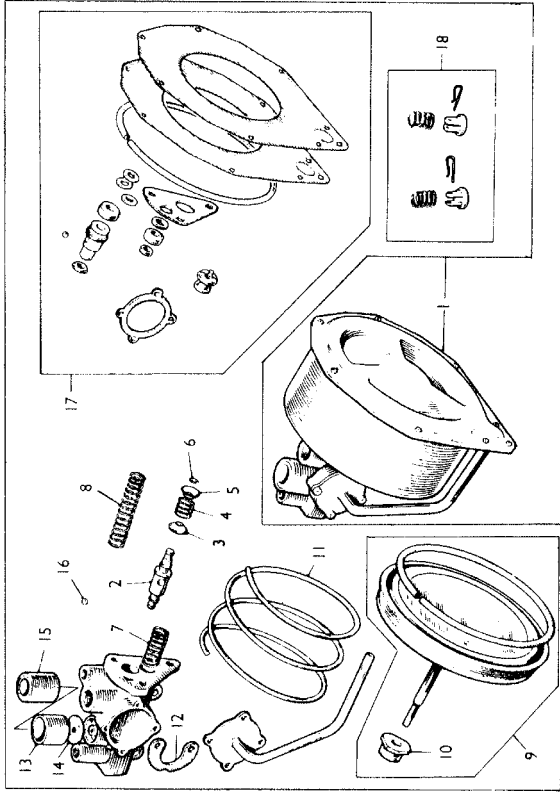
Issue 2 Issue 0

Illus. No.	DESCRIPTION	Part No.	Quantity	Change Point	REMARKS
------------	-------------	----------	----------	--------------	---------

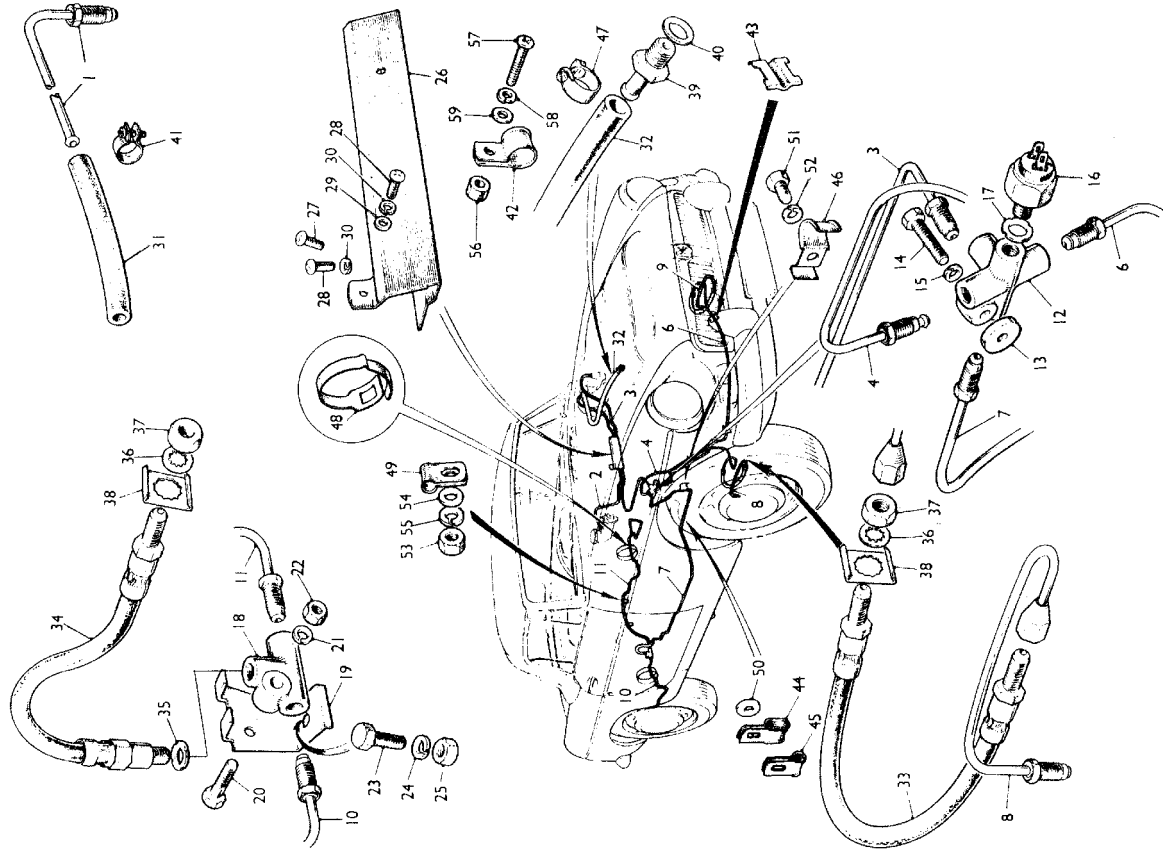
**BRAKE CONTROLS—continued**

**SERVO UNIT—continued**

23	Bracket—servo support	RHD—FAHC 482	1		
24	Bracket—servo support	LHD—FAHC 481	1		
25	Seal—bracket	+AHC 298	1		
26	Screw—bracket to dash—inner	+HZS 0506	2		
27	Nut—screw	+FWZ 205	2		
28	Washer—plain	+FWZ 205	1/2		Quantity increased for RHD vehicles
29	Washer—spring	+LWZ 205	2		
30	Screw—bracket to dash—centre	+HZS 0406	2		
31	Washer	+FWZ 104	1/2		Quantity increased for RHD vehicles
31A	Plain	+FWZ 104	1		
32	Spring	+LWZ 204	2		
33	Nut	+FNZ 104	2		
34	Screw—bracket to dash—outer	+HZS 0406	2		
35	Washer	+FWZ 104	2		
35A	Plain	+FWZ 204	1		
36	Spring	+LWZ 204	2		
37	Nut	+FNZ 104	2		
38	Screw—servo to bracket	+HZS 0606	8/6		Quantity increased for N. America
39	Washer—spring	+LWZ 294	8/6		



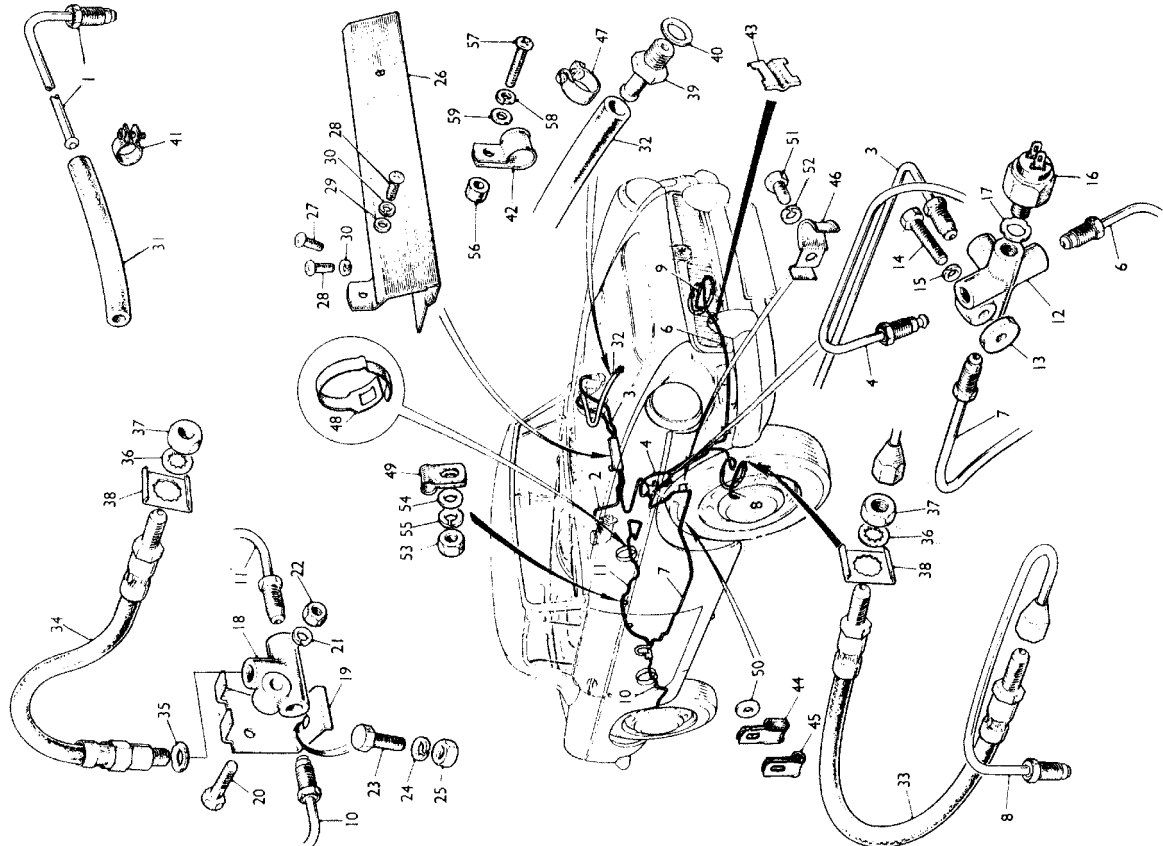




Illus. No.	DESCRIPTION	Part No.	Quantity	Change Point	REMARKS
<b>↑ PIPES AND FITTINGS</b>					
<b>↑ BRAKE CONTROLS—continued</b>					
1	Pipe Tank hose to master cylinder— 117.78 cm) long	↑AHC 717	1		
2	Master cylinder to servo—44" (114.30 cm) long	↑AHC 566	1		
2	Master cylinder to servo—45" (109.23 cm) long	↑LMD ↑BMK 547	1		
3	Servo to 5-way connection—11" (106.88 cm) long	↑AHC 562	1		
3	Servo to 5-way connection—11" (106.88 cm) long	↑AHC 563	1		(C) G-CD1-101 to 1488 Canada, 101 on except
4	5-way to RH front hose—31" (78.74 cm) long	↑41K 5246	1		(C) G-CD1-101 to 1488 Canada, 101 on except
5	5-way to LH front hose—40" (101.60 cm) long	↑11H 219	1		(C) G-CD1-101 to 1488 Canada, 101 on except
7	5-way to rear hose — 89" (226.02 cm) long	↑AHC 855	1		(C) G-CD1-101 to 1488 Canada, 101 on except
8	5-way to calliper—10" (25.40 cm) long	↑AHC 858	1		(C) G-CD1-101 to 1488 Canada, 101 on except
9	LH front hose to calliper—10" (25.40 cm) long	↑AHC 856	1		(C) G-CD1-101 to 1488 Canada, 101 on except
10	8-way to RH rear cylinder—16" (40.64 cm) long	↑AHC 844	1		(C) G-CD1-101 to 1488 Canada, 101 on except
10	8-way to LH rear cylinder—16" (40.64 cm) long	↑AHC 844	1		(C) G-CD1-101 to 1488 Canada, 101 on except
11	5-way LH rear cylinder—46" (116.84 cm) long	↑BHA 4648	1		(C) G-CD1-101 to 1488 Canada, 101 on except
12	Connection—5-way	↑BHA 1508	1		(C) G-CD1-101 to 1488 Canada, 101 on except
12	Connection—5-way	↑BHA 4822	1		(C) G-CD1-101 to 1488 Canada, 101 on except
13	Connection—5-way	↑BHA 1508	1		(C) G-CD1-101 to 1488 Canada, 101 on except
14	Spacer	↑AHC 8247	1		(C) G-CD1-101 to 1488 Canada, 101 on except
14	Screw	↑HZS 0411	1		(C) G-CD1-101 to 1488 Canada, 101 on except
15	Washer—spring	↑LWZ 204	1		(C) G-CD1-101 to 1488 Canada, 101 on except
16	Switch—stop lamp	↑21B 291	1		(C) G-CD1-101 to 1488 Canada, 101 on except
17	Gasket—switch to 5-way	↑RH 2287	1		(C) G-CD1-101 to 1488 Canada, 101 on except
18	Switch—stop lamp	↑18H 1781	1		(C) G-CD1-101 to 1488 Canada, 101 on except
18	Connection—8-way	↑BTB 657	1		(C) G-CD1-101 to 1488 Canada, 101 on except
19	Bracket	↑AHC 140	1		(C) G-CD1-101 to 1488 Canada, 101 on except
20	Bolt	↑HBZ 0409	1		(C) G-CD1-101 to 1488 Canada, 101 on except
21	Washer—spring	↑LWZ 204	1		(C) G-CD1-101 to 1488 Canada, 101 on except
22	Nut	↑FNS 104	1		(C) G-CD1-101 to 1488 Canada, 101 on except
23	Screw	↑LWZ 207	1		(C) G-CD1-101 to 1488 Canada, 101 on except
24	Washer—spring	↑LWZ 205	1		(C) G-CD1-101 to 1488 Canada, 101 on except
25	Nut	↑FNS 105	1		(C) G-CD1-101 to 1488 Canada, 101 on except
26	Shield—heat—brake pipe	↑AHC 263	1		(C) G-CD1-101 to 1488 Canada, 101 on except
27	Screw	↑PMZ 0908	3		(C) G-CD1-101 to 1488 Canada, 101 on except
28	Screw	↑PMZ 0810	3		(C) G-CD1-101 to 1488 Canada, 101 on except
29	Washer—plain	↑PMZ 0908	3		(C) G-CD1-101 to 1488 Canada, 101 on except
30	Washer—spring	↑LWZ 208	3		(C) G-CD1-101 to 1488 Canada, 101 on except

**ABBREVIATIONS AND SYMBOLS**

(C) Car number  
LH Left-hand drive  
RH Right-hand drive  
LMD Left-hand drive  
RHD Right-hand drive  
↑ Revised information  
▼ Change point not available  
RH Right-hand  
LH Left-hand drive  
▼ Change point not available



**BRAKE CONTROLS—continued**

**↑PIPES AND FITTINGS—continued**

Illus. No.	DESCRIPTION	Part No.	Quantity	Change Point	REMARKS
31	Fluid tank	41K 4554	1	(C) G-CDI-101 to 1498 Canada, 101 on except	Use AHC 851 for application to comply with New Zealand regulations Cut to required length
32	Servo to manifold	AHB 7192	1	N. America	
32	Servo to manifold	*AHC 851	1	(C) G-CNI-101 to 8313 Canada, 101 on except	
33	Front brake	*18H 2958	2	N. America	
34	Rear brake	*18H 4608	2	(C) G-CDI-101 to 1498 N. America, 101 to 4151 except	
35	Front brake	*BHA 4888	2	(C) G-CNI-101 to 8313 Canada, 101 to 4151 except	
36	Rear brake	*BHA 4887	2	(C) G-CDI, G-CNI-4152 on except N. America	
37	Gasket—rear brake hose	*BHZ 4906	1	(C) G-CDI-101 to 1498 N. America, 101 on except	
37	Washer—lock	*LWZ 4906	5	N. America	
37	Nut—lock	*FNZ 5006	5	(C) G-CNI-101 to 8313 Canada, 101 on except	
38	Plate—locking—brake	*2F 5281	5	Canada, 101 on except	
39	Adaptor—manifold	AHC 680	1	N. America	
40	Gasket—adaptor	*11K 6809	1	(C) G-CNI, G-CDI-101 to 1153 N. America	
41	Fluid tank hose	Benelex and France	2		
42	Hose to heater	*86G 308	2		
43	Servo hose to dash	*PCR 1007	1		
44	Pipe to LH front hose	*PCR 1006	1		
44	Pipe to front side-member	*AHC 171	2		
44	Pipe to front side-member	*AHH 7259	2		
45	Pipe to front side-member	Automatic	2		
46	Pipe to clutch hose bracket	*PCR 0907	2		
47	Servo hose	*AHC 810	2		
47	Pipe to rear axle	*AHC 284	2		
48	LH rear brake pipe to differential cage	*ACH 8650	2		
49	Washer—clip to side-member	*PCR 0911	2		
50	Washer—clip to side-member	*SK 8157	2		
51	Screw—clip to side-member	*AJD 7502	2		
52	Washer—clip to clutch hose bracket	*HVS 0404	1		
53	Washer—spring	*LWZ 204	1		
53	Washer—spring	*FNZ 105	2		
54	Washer—spring	*LWZ 105	2		
55	Washer—spring	*LWZ 105	2		
56	Spacer—hose to heater	*AHC 7312	1		
57	Screw	*FMZ 0816	1		
58	Washer—spring	*LWZ 208	1		
59	Washer—plain	*PWZ 303	1		

**ABBREVIATIONS AND SYMBOLS**  
 (C) Car number  
 † Revised information

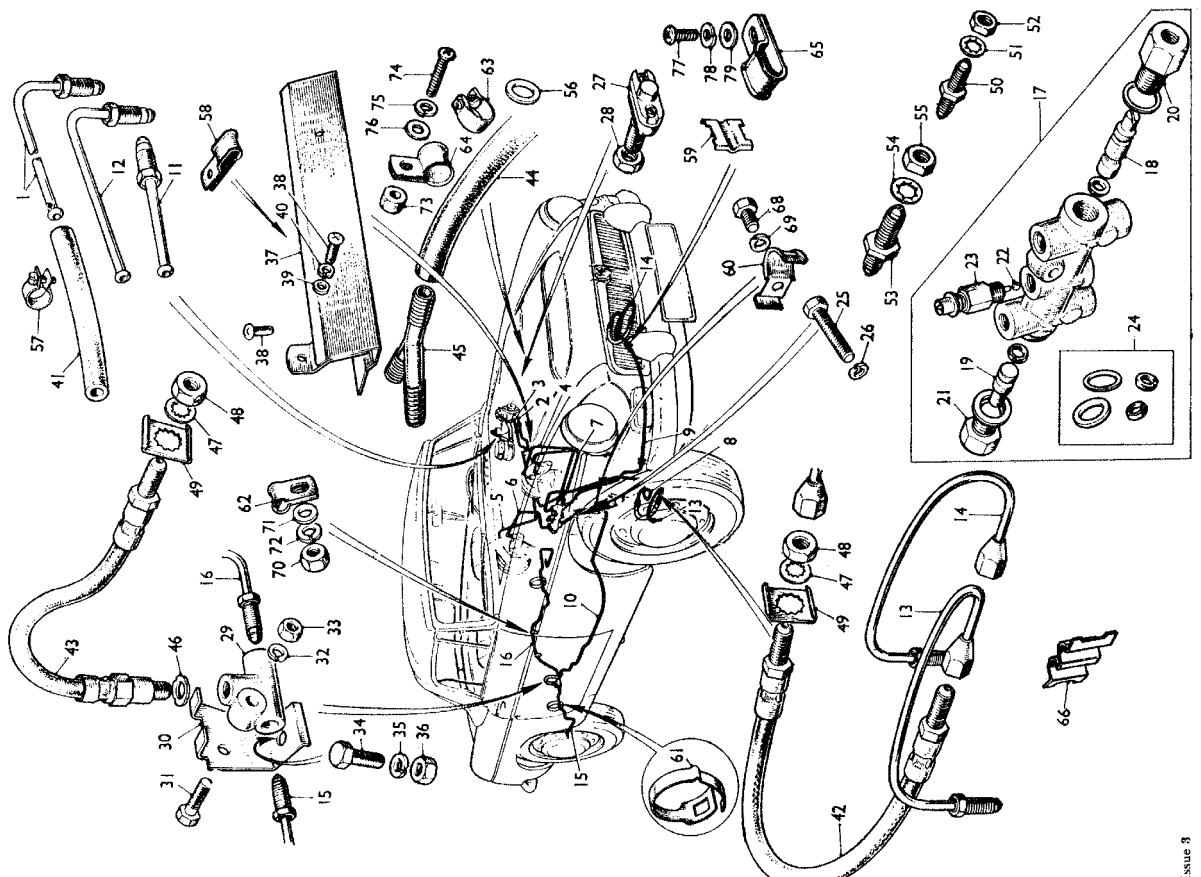
LHD Left-hand drive

W.S.E. When stock exhausted

Illustration No.	DESCRIPTION	Part No.	Quantity	Change Point	REMARKS
------------------	-------------	----------	----------	--------------	---------

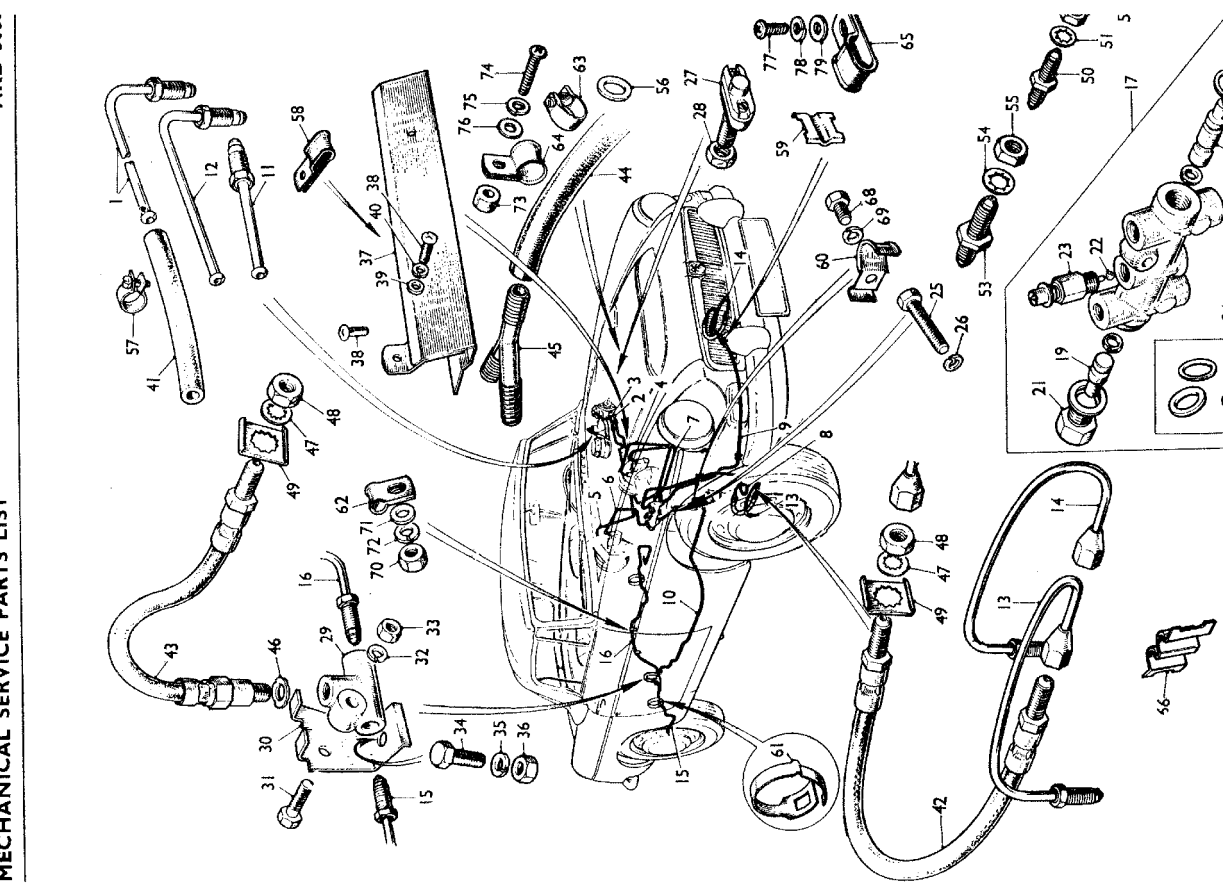
**PIPE AND FITTINGS (N. AMERICA)**

Illustration No.	DESCRIPTION	Part No.	Quantity	Change Point	REMARKS
1	Tank hose to master cylinder—7' (17-78 cm) long	\$AHC 717	1		
2	Front connection union—5 1/2' (13-8 cm) long	\$AHC 604	1		
3	Rear outlet connection union—5 1/2' (13-8 cm) long	\$AHC 700	1		
4	Front connection union to front servo—65" (165-1 cm) long	\$AHC 707	1		
5	Connection union to rear servo—37 1/2" (94-1 cm) long	\$AHC 608	1		
6	Front servo to pressure failure switch inlet—14" (35-6 cm) long	\$AHC 609	1		(C) G-CD1-101 on USA, 1464 on Canada
7	Front servo to pressure failure switch inlet—25" (55-88 cm) long	\$AHC 708	1		(C) G-CD1-101 on USA, 3814 on Canada
8	Pressure failure switch to RH front brake hose—81" (78-74 cm) long	\$AHC 705	1		
9	Pressure failure switch to LH front brake hose—49" (124-46 cm) long	\$AHC 703	1		
10	Pressure failure switch to rear brake hose—99 1/2" (248-96 cm) long	\$AHC 606	1		
11	Master cylinder front inlet to tank outlet hose—9" (7-62 cm) long	\$AHC 712	1		(C) G-CD1, G-CN1-101 to 8017
12	Master cylinder rear inlet to tank outlet hose—6 1/2" (16-5 cm) long	AHC 728	1		
13	RH front hose to caliper—10" (25-4 cm) long	\$AHC 858	1		
14	LH front hose to caliper—10" (25-4 cm) long	\$AHC 856	1		(C) G-CD1-101 on USA, 3814 on Canada
15	Rear rear cylinder—16" (40-64 cm) long	\$AHC 844	1		(C) G-CD1, G-CN1-101 to 8017
16	8-way to LH rear cylinder—48" (116-84 cm) long	\$BHA 4843	1		
17	Switch—assembly—pressure failure	\$BHA 4829	1		(C) G-CD1, G-CN1-101 to 8092
18	Switch	\$77H 4223	1		(C) G-CD1, G-CN1-101 on 8092
19	Piston—long	\$77H 2904	1		
20	Piston—short	\$77H 2902	1		
21	Plug	\$77H 2908	1		
22	Ball switch operating	\$BLS 105	1		(C) G-CD1, G-CN1-101 to 5662
23	Seal—piston	\$NSP	2		
24	Gasket—adaptor to body	\$NSP	1		
	Switch—assembly—pressure failure	\$BHA 4034	1		
	Adaptor	\$377H 4608	1		
	Plug	\$377H 4607	1		
	Switch	\$377H 4228	1		
	Seal—piston	\$NSP	1		
	Seal—piston	\$NSP	2		
	Gasket—adaptor	\$NSP	1		
25	Seal—piston	\$NSP	1		
26	Gasket—plug	\$NSP	1		
27	Washer—spring	\$HZS 0411	1		
28	Washer—stop light	\$LWZ 204	1		
29	Nut—lock	\$BHA 4675	1		
30	Connection—8-way	\$FTB 657	1		
31	Bracket—8-way connection	\$AHC 140	1		
32	Bolt	\$HBZ 0406	1		



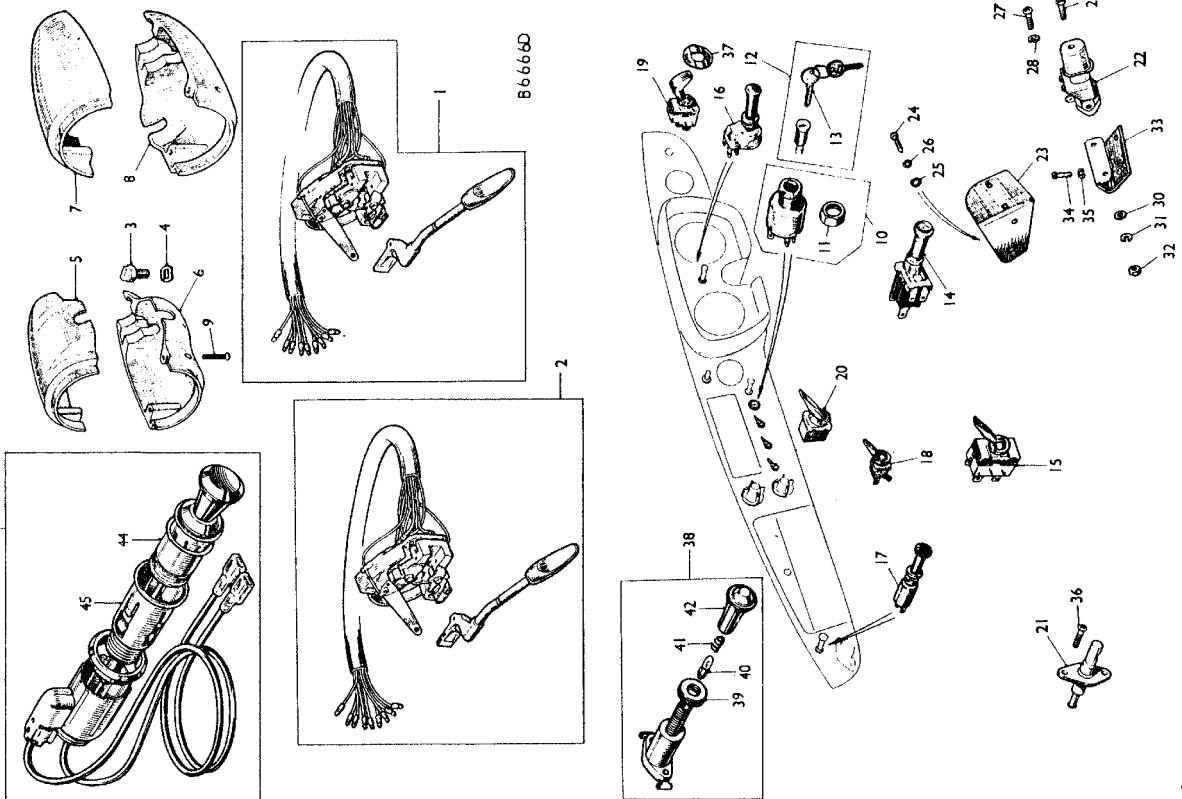
**ABBREVIATIONS AND SYMBOLS**  
 LH Left-hand  
 RH Right-hand  
 NSP Non-serviceable part  
 † Car number  
 ‡ Revised information  
 § This item is subject to safety regulations

Illustr. No.	DESCRIPTION	Part No.	Quantity	Change Point	REMARKS
<b> BRAKE CONTROLS—continued</b>					
<b>†PIPES AND FITTINGS (N. AMERICA)—continued</b>					
32	Washer—spring	+LWZ 204	1		
33	Nut	+FNZ 104	1		
34	Screw	+HZS 0507	1		
35	Washer—spring	+FNZ 105	1		(C) G-CDI-101 on USA, 3814 on Canada
36	Nut	+FNZ 106	1		(C) G-CNI-101 on USA, 3814 on Canada
37	Shield—heat—brake pipe	+FAHC 205	1		
38	Screw	+PMZ 0908	2		
38	Screw	+FMZ 0810	3		Required when heater is not fitted
39	Washer—plain	+FWZ 108	1		Required when heater is fitted
40	Washer—spring	+LWZ 208	3		
41	Fluid tank	+41K 5554	2	(C) G-CDI, G-ANI-101 to 1494 to 4151 USA, 1494 to 4151 Canada	
42	Front brake	+18C 8438	2	(C) G-CDI-101 to 4151 USA, 1494 to 4151 Canada	
43	Rear brake	+18C 8434	1	(C) G-CNI-101 to 4151 USA, 3814 to 4151 Canada	
44	Front brake	+BHA 4889	2	(C) G-CDI, G-CNI-4132 on 1494 to 4151 USA, 1494 to 4151 Canada	Cut to required length
44	Rear brake	+BHA 4887	1		
45	Servo	+AHC 851	8		
45	Coaklet—rear brake hose	+BHA 4728	1		
46	Washer—lock—brake hose	+BH 2287	1		
47	Post—lock	+LWZ 406	5		
48	Post—locking—brake hose	+PF 5026	5		
49	Union—connecting—small	+BHA 4750	1		
50	Washer—lock	+LWZ 406	1		
51	Nut—lock	+FNZ 206	1		
52	Union—connecting—large	+BHA 4751	1		
53	Washer—lock	+LWZ 407	1		
54	Nut—lock	+FNZ 207	1		
55	Gasket—servo union	+11K 6606	1		
56	Oil		0/2		
57	Fluid tank hose	+189C 809	0/2		Quantity decreased at (C) G-CDI, G-CNI-3018
58	Pipe to dash	+AHC 718	2		
58	Pipe to dash	+FCR 0906	2		(C) G-CDI-101 on USA, 3814 on Canada
59	Pipe to LH front side-member	+AHC 171	2		
59	Pipe to front side-member	+FCR 0807	2		
60	Pipe to clutch hose bracket	+AHC 310	2		
61	Pipe to rear axle	+AHC 8450	2		
62	LH rear brake pipe to differential case		2		
63	Servo hose	+FCR 0811	2		
64	Hose to heater	+AHC 284	1		
65	Pipe (dual) to heater	+FCR 1007	1		
66	Pipe (dual)	+AHA 8663	1		
66	Pipe to RH front valance	+AHC 7526	1		
66	Pipe to LH front valance	+AHC 8735	1		
68	Washer—spring	+HZS 0404	1		
69	Nut—clip to clutch hose bracket	+LWZ 204	1		
70	Nut—clip to differential case	+FNZ 105	2		
71	Washer—spring	+LWZ 205	2		
72	Spacer—clip—servo hose	+AHC 795	1		
73	Washer—clip—servo hose	+FMZ 0816	1		
74	Washer—spring	+LWZ 208	1		
75	Washer—plain	+FWZ 107	1		
76	Screw—clip—pipe to heater	+FMZ 0407	1		
77	Washer—spring	+LWZ 204	1		
78	Washer—plain	+FWZ 104	1		



**ABBREVIATIONS AND SYMBOLS**  
 (C) Car number  
 LH Left-hand  
 RH Right-hand  
 † Revised information  
 ‡ This item is subject to safety regulations

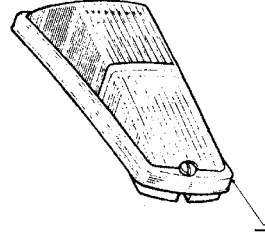
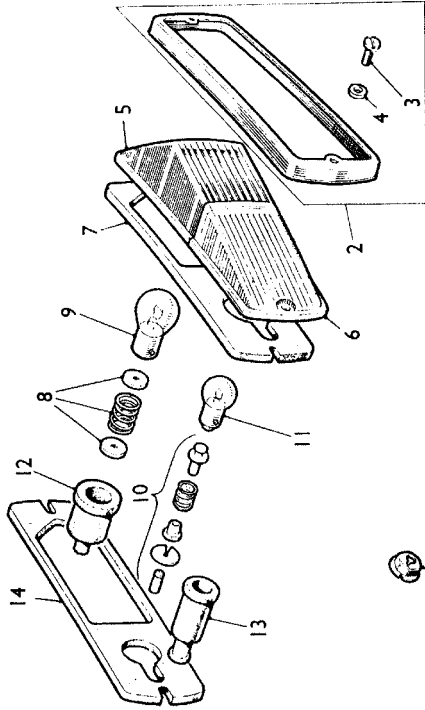
Issue 8  
 86  
 Issue 9  
 87  
 Issue 0



Item No.	DESCRIPTION	Part No.	Quantity	Change Point	REMARKS
<b>ELECTRICAL EQUIPMENT</b>					
<b>SWITCHES (EXCEPT USA)</b>					
1	Switch—direction indicator and headlamp flasher	BHA 4680	1	(C) G-CD1, G-CN1-101 to 4679	
1A	Switch—direction indicator and headlamp flasher	BHA 4688	1	(C) G-CD1, G-CN1-4680 on Canada, 101 to 4679 Japan	
2	Switch—direction indicator	BHA 4629	1	(C) G-CD1, G-CN1-4680 on Canada, 101 to 4679 Japan	
2A	Switch—direction indicator	BHA 4697	1	(C) G-CD1, G-CN1-4680 on Canada, 101 to 4679 Japan	
3	Indicator switch	BHA 4540	1	(C) G-CD1, G-CN1-4680 on Canada, 101 to 4679 Japan	
4	Washer—link	AHA 4540	1	(C) G-CD1, G-CN1-4680 on Canada, 101 to 4679 Japan	
8	Striker—direction indicator trip	AHA 8723	1	(C) G-CD1, G-CN1-4680 on Canada, 101 to 4679 Japan	
<b>Covering—indicator switch</b>					
5	Top	AHH 0860	1		] W.S.E. use 18G 8897
6	Bottom	AHH 0887	1		
7	Top	AHH 0868	1		
8	Bottom	AHH 0890	1		
9	Top and bottom	RHD 18G 8897	1 pr.		
10	Screw assembly—starter and ignition	SMK 0214	4		
11	Nut—locking	447E 549	1		] Required when steering lock is not fitted
12	Lock assembly—ignition	24G 1845	1		
13	Key	ANK 4646	2		
14	Lighting	BHA 4578	1		
15	Wiperscreen wiper	18H 1909	1		
16	Panel light	BHA 4278	1		
17	Washer—spring	BHA 4278	1		
18	Heater	BGA 4812	1		
19	Overdrive	BHA 4618	1		
20	Gear illumination lamp				
<b>Automatic</b>					
21	Courtesy light	BHA 4482	1	(C) G-CD1-101 to 1498	
22	Headlamp dipper	18H 1866	2	Canada 101 on except	
23	Bracket—dipper	18H 1866	1		
24	Washer—bracket to body	AHC 87	1	(C) G-CN1-101 to 8818	
25	Screw—bracket to body	PMZ 0808	2	Canada 101 on except	
26	Washer—plain	PMZ 203	2	N. America.	
27	Washer—spring	PMZ 203	2		
28	Washer—spring	PMZ 0810	2		
29	Washer—spring	PMZ 203	2		
30	Washer—spring	PMZ 0810	2		
31	Washer—plain	PMZ 203	2		
32	Nut	FNZ 108	2		
33	Bracket—dipper switch to toe-board	AHC 239	1		
34	Screw—bracket	PMZ 0812	2		
35	Washer—spring	PMZ 203	2		
36	Screw—courtesy light switch	FTF 006	4		
37	Switch—overdrive	AHH 7277	1		
38	Bracket—overdrive switch	AHH 7277	1		
39	Ring—locking	18H 1453	1		
40	Bulb	18FS 281	1		
41	Spring	18H 1451	1		
42	Knob	18H 1452	1		
43	Lighter assembly—cigar	AHH 7010	1		
44	Butt—heat	18H 6735	1		
45	Receptacle	18H 6809	1		

**ABBREVIATIONS AND SYMBOLS**

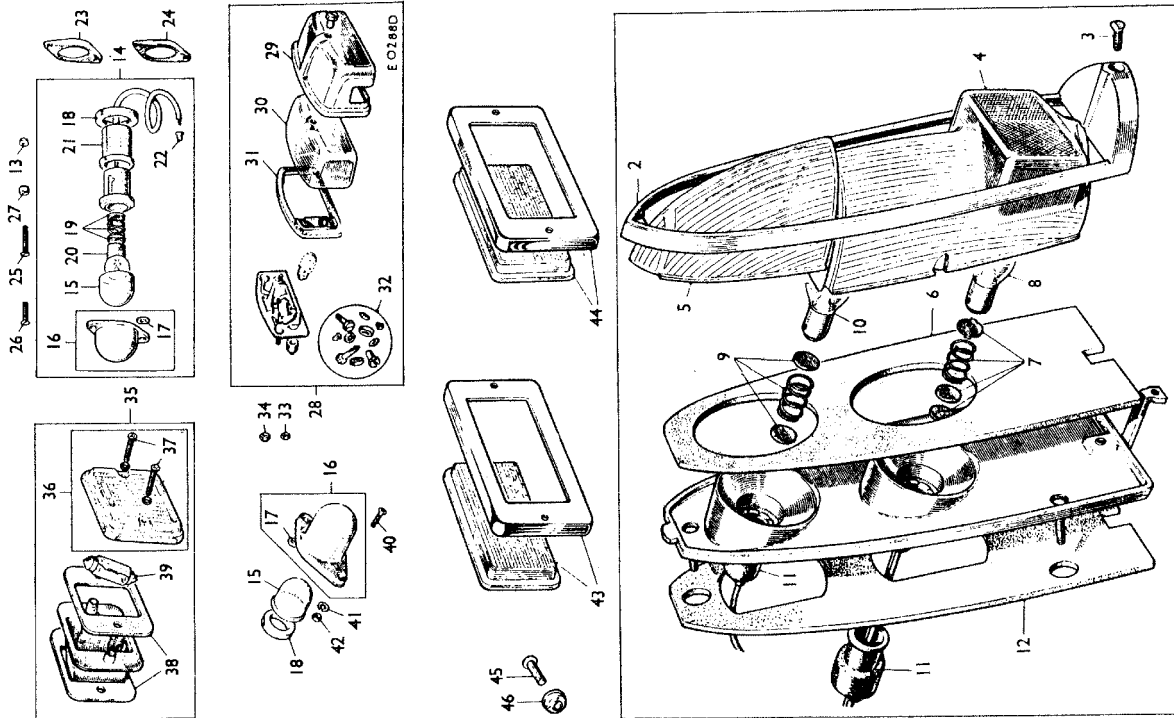
(C) Car number  
 LHD Left-hand drive  
 RHD Right-hand drive  
 † Revised information  
 pr Pair  
 † Change point not available



Illus. No.	DESCRIPTION	Part No.	Quantity	Change Point	REMARKS
<b>ELECTRICAL EQUIPMENT—Continued</b>					
<b>LAMPS—Continued</b>					
1	Lamp assembly—side and flasher—White/Amber	BHA 4288	2		
1	Lamp assembly—side and flasher—White	LMD			
2	Rim	BHA 4289	2		
3	Screw—rim	17H 3008	2		
4	Washer—screw retaining	21G 9037 C	4		
5	Lens				
5	Flasher lamp—Amber	17H 3819	2		
5	Flasher lamp—White	17H 3808	2		
6	Side lamp (with baffle)	17H 2968	2		
6	Gasket—lens seating	17H 5372	2		
7	Interior—bulb holder—flasher lamp	BFS 989	2		
8	Bulb—flasher lamp	BFS 989	2		
9	Interior—bulb holder—sidelamp	7H 4586	2		
10	Bulb—sidelamp	BFS 989	2		
11	Grommet—flasher lamp cable	57H 5465	2		
12	Grommet—sidelamp cable	37H 5294	2		
13	Gasket—lamp seating	57H 5372	2		
14	Lamp assembly—side and flasher—Amber				
14	Lamp assembly—side and flasher—White				
1	Rim	BHA 4489	2		
2	Screw—rim	17H 3008	2		
3	Washer—screw retaining	15G 9037	4		
4	Lens				
5	Flasher lamp—Amber	17H 3819	2		
5	Flasher lamp—White	17H 3808	2		
6	Side lamp (with baffle)	17H 2968	2		
7	Interior—bulb holder—flasher lamp	BFS 989	2		
8	Bulb—flasher lamp	BFS 989	2		
9	Interior—bulb holder—sidelamp	7H 4586	2		
10	Bulb—sidelamp	BFS 989	2		
11	Grommet—flasher lamp cable	57H 5465	2		
12	Grommet—sidelamp cable	37H 5294	2		
13	Gasket—lamp seating	57H 5372	2		
14	Lamp assembly—side and flasher—Amber				
14	Lamp assembly—side and flasher—White				
1	Rim	BHA 4489	2		
2	Screw—rim	17H 3008	2		
3	Washer—screw retaining	15G 9037	4		
4	Lens				
5	Flasher lamp (with baffle)	17H 2968	2		
6	Gasket—lens seating	17H 5372	2		
7	Interior—bulb holder—flasher lamp	BFS 989	2		
8	Bulb—flasher lamp	BFS 989	2		
9	Interior—bulb holder—sidelamp	7H 4586	2		
10	Bulb—sidelamp	BFS 989	2		
11	Grommet—flasher lamp cable	57H 5465	2		
12	Grommet—sidelamp cable	37H 5294	2		
13	Gasket—lamp seating	57H 5372	2		
14	Fastener—Dotloc—lamp to body	2A 9156	4		

ABBREVIATIONS AND SYMBOLS  
 LHD Left-hand drive  
 D GT  
 (C) Car number  
 † This item is subject to safety regulations

NSP Non-serviceable part  
 † Revised information  
 Issue 4



Item No.	DESCRIPTION	Part No.	Quantity	Change Point	REMARKS
1	Lamp assembly—rear—Amber flasher	BHA 4175	2		
2	Lamp assembly—rear—Red flasher	LHD 5	2		
3	Rim	BHA 4176	2		
4	Screw	57H 5355	2		
5	Screw	RMP 0808	2		
6	Stop/tail	57H 5357	2		
7	Flasher—Amber	57H 5354	2		
8	Flasher—Red	57H 5359	2		
9	Gasket—lens seating	LHD 5	2		
10	Interior—bulb holder—stop/tail	57H 5356	2		
11	Bulb—stop/tail	57H 5459	2		
12	Interior—bulb holder—flasher	BFS 380	2		
13	Bulb—flasher	57H 5459	2		
14	Bulb—stop/tail	57H 5459	2		
15	Gasket—lamp seating	57H 5352	2		
16	Fastener—Dotloc—lamp to body	57H 5358	2		
17	Lamp assembly—rear—Amber flasher	BHA 4242	6		
18	Rim	BHA 4486	2		
19	Screw	57H 5355	2		
20	Screw	RMP 0809	2		
21	Stop/tail	57H 5357	2		
22	Lens—Amber	57H 5354	2		
23	Lens—Red	57H 5354	2		
24	Gasket—lens seating	57H 5356	2		
25	Interior—bulb holder—stop/tail	57H 5356	2		
26	Bulb—stop/tail	57H 5459	2		
27	Flasher—flasher	NSP	2		
28	Grommet—stop/tail lamp cable	NSP	2		
29	Grommet—flasher lamp cable	NSP	2		
30	Gasket—flasher lamp cable	NSP	2		
31	Fastener—Dotloc—lamp to body	57H 5494	2		
32	Fastener—Dotloc—lamp to body	57H 5465	2		
33	Fastener—Dotloc—lamp to body	57H 5358	2		
34	Lamp assembly—number-plate	BHA 4242	6		
35	Washer—screw retaining	1BHA 4398	2		
36	Gasket—lens seating	57H 5356	2		
37	Interior—bulb holder	57H 5356	2		
38	Bulb	BFS 207	2		
39	Grommet—cable	17H 5210	2		
40	Sieve—terminal	17H 5210	2		
41	Flimb—number-plate lamp—RH	27H 6713	2		
42	Flimb—number-plate lamp—LH	17H 5202	2		
43	Screw	AHH 8399	1		
44	Screw	RMP 0820	2		
45	Screw	RMP 0816	2		
46	Nut	RMP 0816	2		
47	Cover assembly—map light	LNZ 203	4		
48	Washer—screw retaining	187H 5426	1		
49	Washer—screw retaining	21G 9037	2		
50	Cover assembly—map light	AHH 8386	1		
51	Washer—screw retaining	21G 9037	2		
52	Glass—map light	17H 4901	1		
53	Gasket—sealing	17H 4902	1		
54	Screw—map light	RMP 0810	2		
55	Washer—spring	LWZ 203	2		
56	Nut	FNZ 103	2		
57	Lamp assembly—number-plate	BHA 4494	2		
58	Cover	17H 5185	2		
59	Lens	17H 5128	2		
60	Gasket—lens seating	57H 5128	2		
61	Bulb	57H 5369	2		
62	Sundry parts	7H 5128	2 sets		
63	Nut	AJD 8052 C	4		
64	Nut—donut	6K 9777	4		
65	Lamp assembly—reverse	1BHA 4520	2		
66	Lamp assembly—reverse	187H 5426	2		
67	Screw	187H 5426	2		
68	Screw	187H 5426	2		
69	Gasket—lens seating	57H 5128	2		
70	Bulb	BFS 273	2		
71	Lamp assembly—reverse	1BHA 4021	2		
72	Lamp assembly—reverse	18H 9400	2		
73	Screw	18H 9400	2		
74	Gasket—lens seating	57H 5356	2		
75	Bulb	57H 5359	2		
76	Reflector—reflex Amber—front	118H 4689	2		
77	Reflector—reflex Red—rear	118H 4689	2		
78	Bumper	1BHA 4568	2		
79	Rivet	AHH 8788	8		
80	Push-on-flex	1BHA 4545	8		

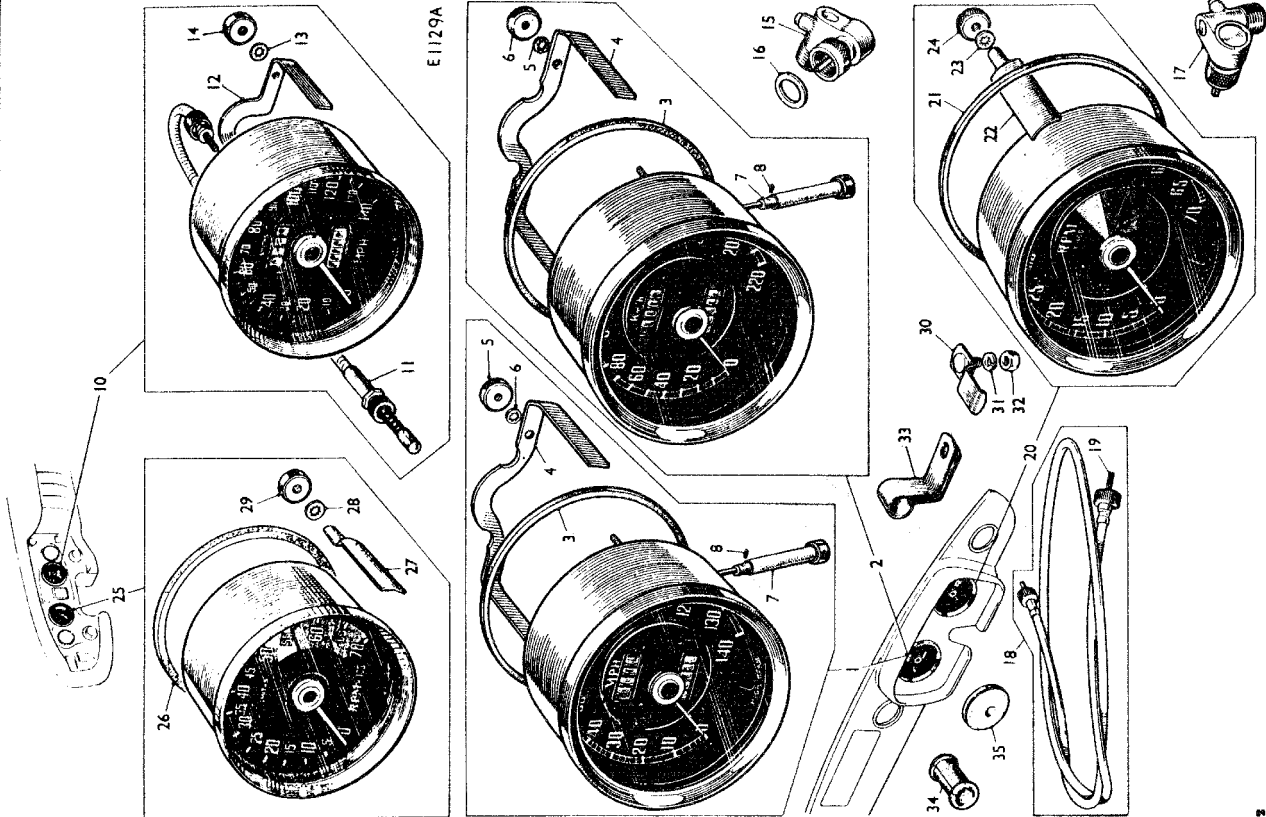
(C) G-CD1-101 to 1488 Canada, 101 on except N. America  
 (C) G-CN1-101 to 8818 Canada, 101 on except N. America  
 (C) G-CD1-101 USA on, 1494 Canada on  
 (C) G-CN1-101 USA on, 8814 Canada on

W.S.E. use 57H 5128

Correction; was BHA 5620

Part No. change: was 27H 8014

(C) G-CD1-4266 on  
 (C) G-CN1-4286 on



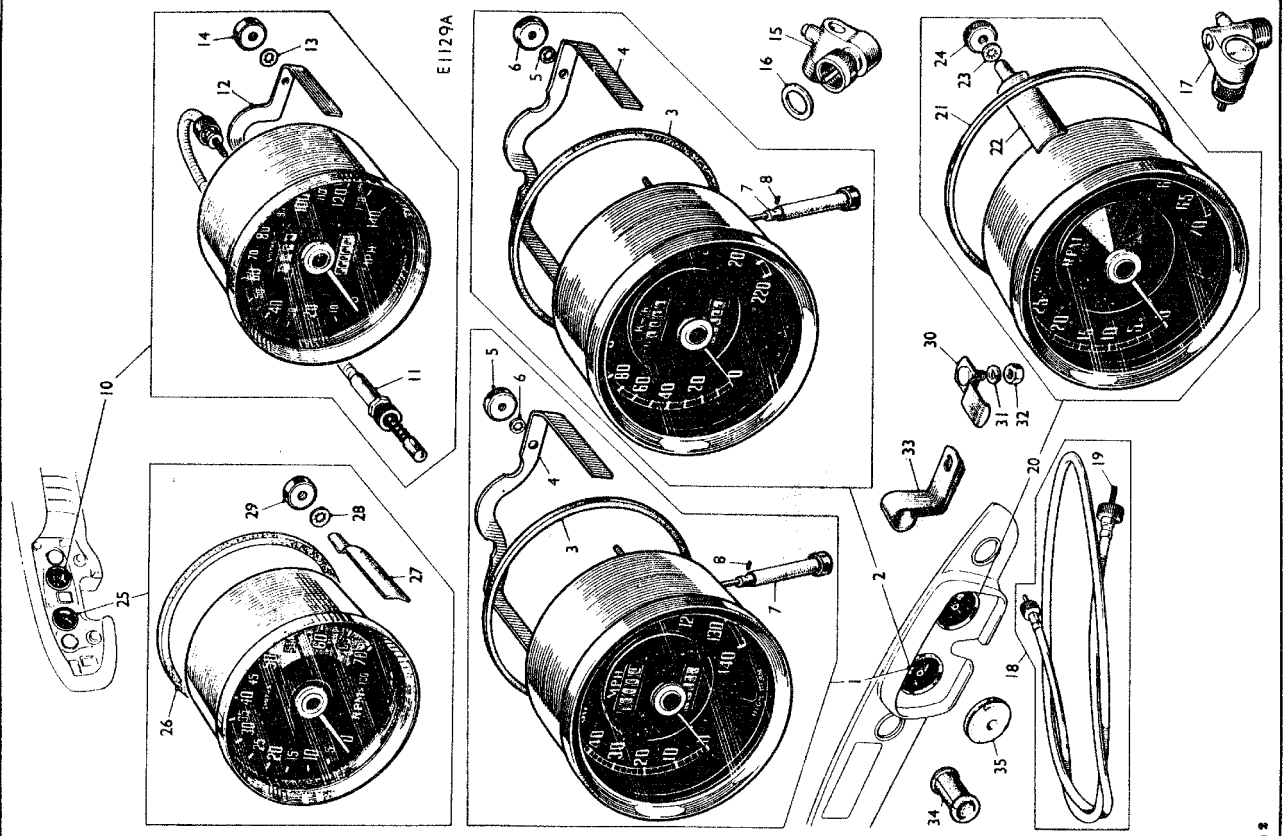
Illustr. No.	DESCRIPTION	Part No.	Quantity	Change Point	REMARKS
<b>INSTRUMENTS</b>					
1	Speedometer assembly				
1	MPH (SN 0144/10) Except USA, †BHA 4398		1		(C) G-CDI-101 to 1498
1	KPH (SN 0144/11) †BHA 4399		1		Canada, 101 to 4293 and automatic (C) G-CNI-101 to 3813 Canada, 101 to 4295 overdrive, 101 on standard and automatic (C) G-CDI-101 to 4293 overdrive, 101 on standard and automatic (C) G-CNI-101 to 4295 overdrive, 101 on standard and automatic
2	KPH (SN 0144/12) †BHA 4600		1		
2	MPH (SN 0144/81) †BHA 4864		1		(C) G-CDI-4298 on
2	KPH (SN 0144/82) †BHA 4865		1		(C) G-CNI-4298 on
3	Ring (rubber)	Except †BHA 4965	1		Overdrive
3	KPH (SN 5227/19) †BHA 4181		1		
3	Ring (rubber)	N. America †BHA 4965	1		
4	Washer—fixing	AJH 5178	1		
4	Washer—shakeproof	AJH 5176	1		
5	Nut—thumb	3K 1989	2		
6	Washer—thumb	3K 1989	2		
7	Washer—thumb	3K 1989	2		
8	Dowel	17H 8745	1		
10	Speedometer assembly				
10	MPH (SN 5226/00) †BHA 4698		1		(C) G-CDI-101 to 4293 USA, 1494 to 4295 Canada
10	MPH (SN 5226/02) †BHA 4694		1		(C) G-CNI-101 to 4295 USA, 8814 to 4295 Canada
10	MPH (SN 5227/02) †BHA 4764		1		(C) G-CNI-4296 on
11	Control—remote	BHA 4773	1		
12	Clamp—fixing	17H 8744	2		
13	Washer—shakeproof	3K 1989	2		
14	Nut—thumb	3K 1989	2		
15	Box—angle drive—gearbox	1H 8181	1		W.S.E. use 18H 2567 when over- drive is When fitting in lieu of 1H 8181, washer 3H 550 should be discarded
16	Washer—angle box to gearbox	3H 550	1		
16	Box—angle drive—gearbox	18H 2567	1		
17	Box—angle drive—speedometer †BHA 4764		1		(C) G-CDI-101 USA on, 1494 Canada on (C) G-CNI-101 USA on, 3814 Canada on

**ABBREVIATIONS AND SYMBOLS**

† Car number  
‡ Revised information  
KPH Kilometres per hour  
MPH Miles per hour  
Miles per hour  
When stock exhausted  
W.S.E. When stock exhausted



Illustr. No.	DESCRIPTION	Part No.	Quantity	Change Point	REMARKS
<b>INSTRUMENTS—continued</b>					
18	Cable assembly—speedometer—3' 3" (96 cm) long	1BHA 4595	1		STD
19	Cable assembly—speedometer—4' 8" (142.24 cm) long	127H 5926	1		Overdrive
18	Cable—inner	RHD 12A 9039	1		Automatic
19	Cable assembly—speedometer—3' 9" (114.3 cm) long	117H 689	1		STD
18	Cable—inner	11H 9072	1		Overdrive
19	Cable—inner	117H 961	1		Automatic
18	Cable assembly—speedometer—4' 8" (127.0 cm) long	1BHA 4596	1		STD
19	Cable—inner	127H 9278	1		Overdrive
18	Cable assembly—speedometer—5' 6" (167.64 cm) long	LHD 11B 9138	1		Automatic
19	Cable—inner	USA 117H 756	1		STD
18	Cable assembly—speedometer—4' (122.24 cm) long	12A 9039	1		Overdrive
19	Cable—inner	117H 689	1		Automatic
18	Cable assembly—speedometer—4' 8" (117.16 cm) long	11H 9047	1		STD
19	Cable—inner	117H 643	1		Overdrive
18	Cable assembly—speedometer—6' 0" (213.36 cm) long	11B 9119	1		Automatic
19	Cable—inner	N. America 117H 910	1		STD
18	Cable—inner	11H 9048	1		Overdrive
19	Cable—inner	117H 997	1		Automatic
20	Tachometer assembly (RV1 2619/06)	127H 4323	1		STD
20	Ring (rubber)	1BHA 4718	1		Overdrive
21	Strap—fixing	1AJH 5178	2		Automatic
22	Washer—spring	11WZ 492	2		STD
23	Nut—thumb	117H 1804	2		Overdrive
24	Tachometer assembly (RV1 1612/06)	127H 4310	1		Automatic
25	Ring (rubber)	1BHA 4695	1		STD
26	Strap—fixing	117H 2105	1		Overdrive
27	Washer—spring	11WZ 1339	2		Automatic
28	Nut—thumb	117H 1804	2		STD
29	Clip—speedometer cable to heatshield	117H 1804	2		Overdrive
30	Washer—spring	AHC 816	1		Automatic
31	Nut	LWZ 208	1		STD
32	Clip—speedometer cable	ANZ 108	1		Overdrive
33	Ferrule—speedometer cable emp	AHC 580	1		Automatic
34	Grommet—speedometer cable	ACH 6329	1		STD
35		117H 405	1		Overdrive

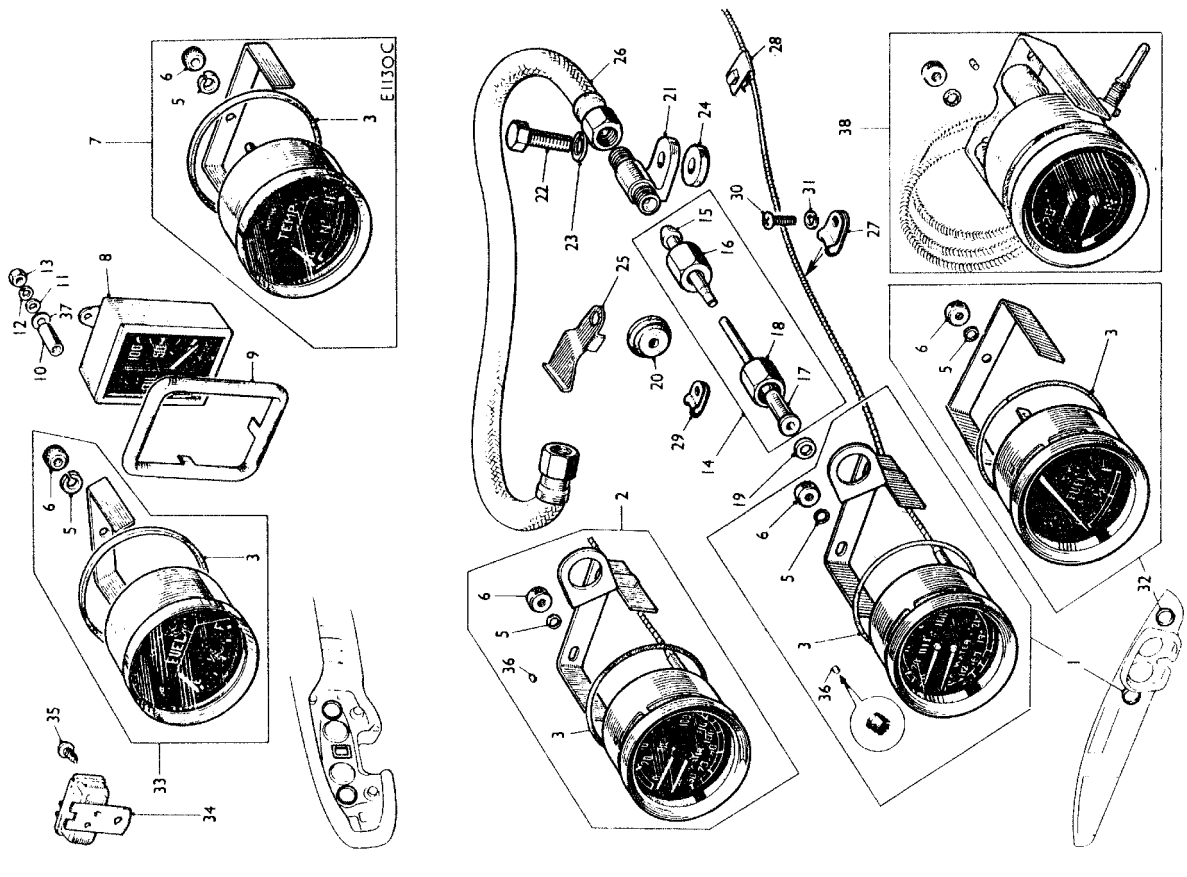


**ABBREVIATIONS AND SYMBOLS**  
 (C) Car number  
 LHD Left-hand drive  
 RHD Right-hand drive  
 STD Standard  
 Revised information

Issue 2  
 96

Illus. No.	DESCRIPTION	Part No.	Quantity	Change Point	REMARKS
<b>INSTRUMENTS—continued</b>					
1	Gauge assembly—oil pressure and temperature—Fahrenheit	†BHA 4737	1		(C) G-CDI-101 to 1408 Canada, 101 to 4125 except N. America
2	Gauge assembly—oil pressure and temperature—Centigrade	†BHA 4764	1		(C) G-CDI-101 to 3318 Canada, 101 to 4125 except N. America
3	Restrictor	†7H 7577	1		
4	Ring (rubber)	AJH 5184	1		
5	Washer—spring	LWZ 302	2		
6	Nut—thumb	†17H 932	2		
7	Gauge—oil pressure and water temperature—H-N-C	†BHA 4900	1		(C) G-CDI, G-CNI-4128 on
8	Gauge—oil	†BHA 4686	1		
9	Washer—spring	AJH 5184	1		
10	Nut—thumb	†17H 932	1		
11	Bezel—oil gauge	BHA 4687	1		(C) G-CDI-101 on USA, 1484 Canada on
12	Tube—distance—oil gauge	AHH 8922	1		(C) G-CDI-101 on USA, 3314 Canada on
13	Washer—plain	AHH 8772	2		
14	Washer—plain	PWZ 102	2		
15	Washer—spring	PWZ 202	4		
16	Nut—thumb	†CNZ 102	2		
17	Nut—thumb	AHH 6075	1		
18	Nipple	ACA 5422	1		(C) G-CDI, G-CNI-101 to 2590 except USA, 101 on USA, 3314 on Canada
19	Nut	ACA 5421	1		(C) G-CDI, G-CNI-2591 to 3318 Canada, 2591 on except N. America
20	Union	ACA 5421	1		
21	Nut	†11B 2037	1		
22	Washer—pipe to gauge (leather)	†XA 4600	1		
23	Ferrule—ring	†AAA 640	1		
24	Ferrule—ring	†AHC 805	1		
25	Connector—pipe	AAA 028	1		
26	Washer—spring	LWZ 602	1		
27	Spacer—screw	LWZ 202	1		
28	Bracket—retaining—pipe	AHH 8247	1		
29	Pipe—flexible	AHH 8088	1		
30	Temperature gauge tube to bulkhead	PCR 0809	1		
31	Temperature gauge tube to bulkhead	PCR 0807	1		
32	Temperature gauge tube to rocker cover	†11C 2018	1		
33	Oil gauge pipe to bulkhead	PCR 0207	1		
34	Washer—spring	PWZ 0907	1		
35	Washer—spring	LWZ 208	1		
36	Gauge assembly—fuel	†BHA 4780	1		(C) G-CDI-101 to 1488 Canada, 101 on except N. America
37	Gauge assembly—fuel	†BHA 4685	1		(C) G-CDI-101 on USA, 1484 on Canada
38	Gauge assembly—fuel	†BHA 4685	1		(C) G-CNI-101 on USA, 3314 on Canada
39	Ring (rubber)	AJH 5184	1		
40	Strap—fixing	NSP	1		
41	Washer—spring	LWZ 302	1		
42	Nut—thumb	†17H 982	1		
43	Stabilizer—voltage	BHA 4602	1		
44	Screw	†PTZ 1004	1		

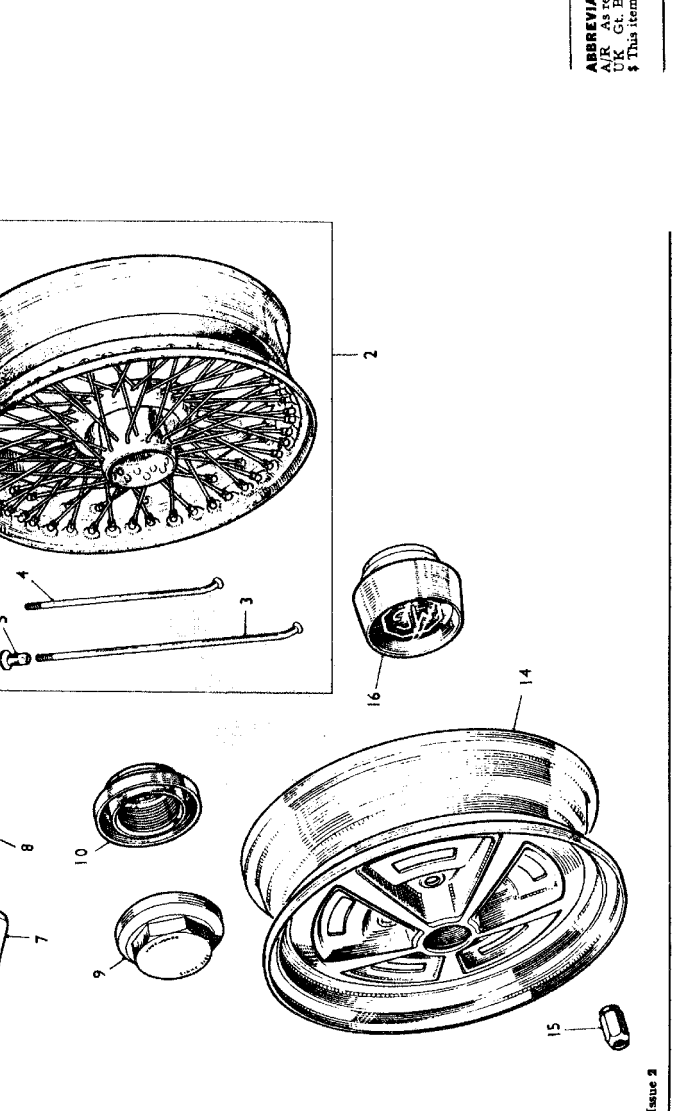
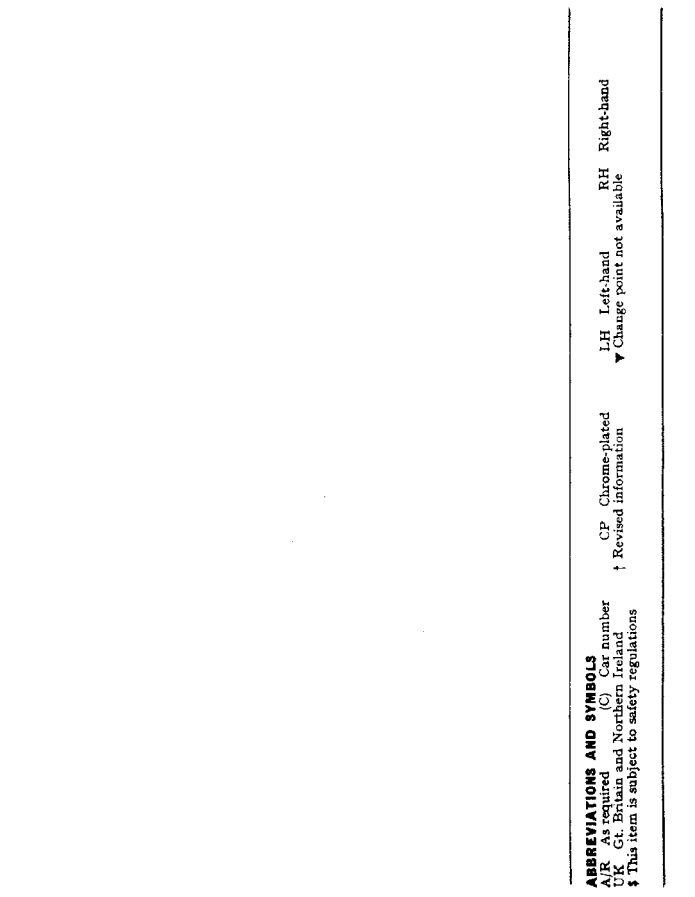
**ABBREVIATIONS AND SYMBOLS**  
 (C) Part number. Non-serviceable part  
 † This item is subject to safety regulations  
 ‡ Revised information  
 Part No. change: was AHH 8842



Illus. No.	DESCRIPTION	Part No.	Quantity	Change Point	REMARKS
<b>ROAD WHEELS</b>					
1	Wheel—disc type	† AHC 170	5		
2	Wheel assembly—wire	† AHC 14	5		
3	Spoke—long	27H 8503	180		
4	Spoke—short	27H 8502	180		
5	Nipple—spoke	7H 1709	360		
6	Wheel assembly—wire	† AHC 806	5		Optional extra
7	Spoke—long	37H 3850	120		
8	Spoke—short	37H 3849	120		
9	Nipple—spoke	37H 3851	360		
10	Wire—Rostyle	† AHC 853	5		
11	Nut—wheel stud—CF	† AHH 9152	16		
12	Cap	AHC 101	4		
13	Disc wheel	† AHA 7373	2		
14	Wire wheel—RH	† AHA 7374	2		
15	Wire wheel—LH	† AHA 7375	2		
16	Wire wheel—LH	† AHA 7376	2		
17	Rostyle wheel	† AHH 9288	4		
18	Weight—wheel balance	AKF 1445	A/R		
19	1 oz (28.35 gm)	AKF 1446	A/R		
20	2 oz (56.7 gm)	AKF 1447	A/R		
21	4 oz (113.4 gm)	AKF 1448	A/R		
22	Plate—clamping—spare wheel mounting	† AHC 826	4		
23	Wire wheels only	† AHC 266	1		
24	Rostyle wheels only	† AHC 806	1		

(C) G-CD1, G-CN1-101 to ▼  
 (C) G-CD1, G-CN1-101 on  
 Not UK ▼ on UK  
 (C) G-CD1-4286 on  
 (C) G-CN1-4286 on  
 Disc wheels only  
 Wire wheels only  
 Rostyle wheels only

† As required  
 UK Gt. Britain and Northern Ireland  
 \$ This item is subject to safety regulations



**ABBREVIATIONS AND SYMBOLS**  
 A/R As required  
 UK Gt. Britain and Northern Ireland  
 \$ This item is subject to safety regulations

CP Chrome-plated  
 † Revised information  
 LH Left-hand  
 RH Right-hand  
 ▼ Change point not available